

FOLIA ACOUSTIX

Pendant - Round Canopy Driver Box (RCD) - Multiple Canopies



INSTALLATION INSTRUCTIONS

! This product must be installed in accordance with the National Electrical Code and all applicable local codes, by a person familiar with the construction and operation of the product, and the hazards involved. Proper grounding is required for safety.

Ce produit doit être installé suivant le code national de l'électricité, ainsi que tous les codes locaux applicables, par une personne familière avec la construction et le fonctionnement du produit, ainsi que tous les risques qui y sont associés. La mise à terre électrique est obligatoire pour la sécurité.

! Disconnect power before installation or servicing.

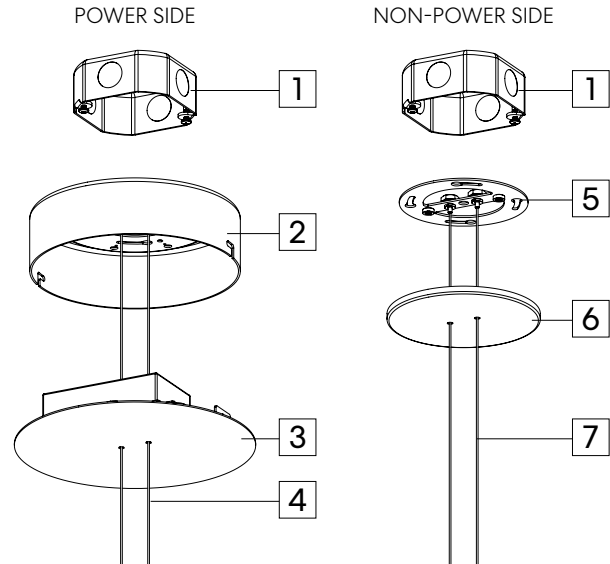
! Wire dimming conductors as Class 1.

! A luminaire with more than one power supply connection means shall be connected to only one branch circuit.

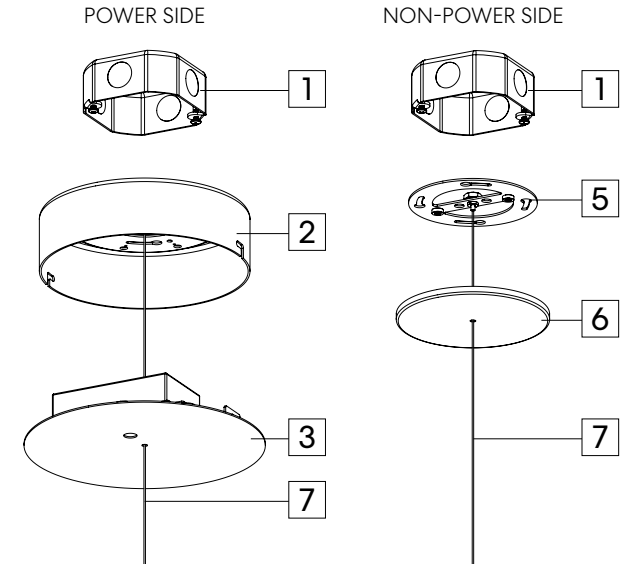
💡 For electrical connections, please refer to the [wiring diagram guide](#).



POC POWER-OVER-AIRCRAFT CABLE



AC AIRCRAFT CABLE



INDEX

POC.....	P2
Aircraft cable.....	P5

ITEMS LIST

1	Standard J-box (by others)
2	Canopy driver box
3	Canopy plate
4	Power-over-aircraft cable
5	Mounting plate
6	Flat round canopy
7	Aircraft cable

TOOLS REQUIRED

- Phillips screwdriver
- Aircraft cable cutter
- 1/4" drill bit
- Scissors (for POC)



FOLIA ACOUSTIX

Pendant - Round Canopy Driver Box (RCD) - Multiple Canopies

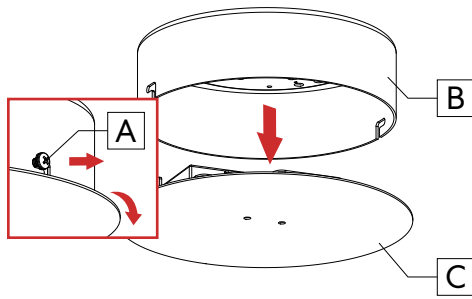


POC (POWER-OVER-AIRCRAFT CABLE)

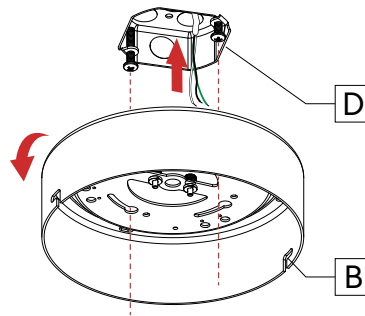
POWER SIDE

1 PREPARE MOUNTING POINTS.

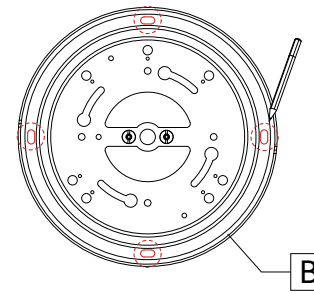
Slightly loosen the screws [A] on the side of the canopy [B]. Remove the canopy plate [C].



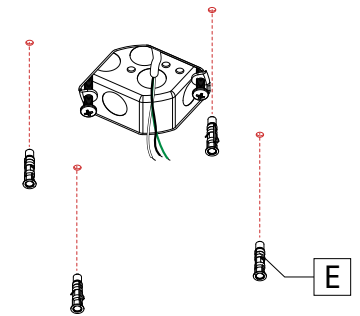
Fix the canopy [B] on the junction box [D].



Use the canopy [B] as a model to mark 4 holes.

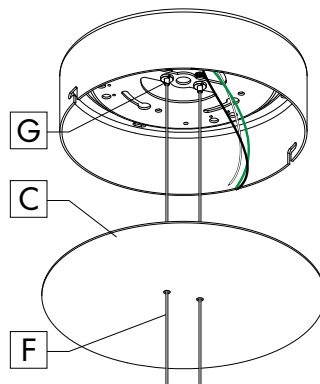


Remove the canopy. Drill holes ($\varnothing 1/4"$) following the red marks. Install #8 drywall anchors [E].



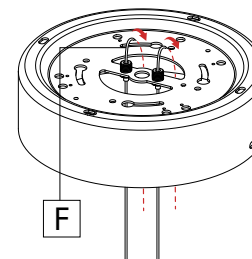
2 INSTALL AIRCRAFT CABLES.

Pass all aircraft cables [F] through the canopy plate [C]. Insert them into the griplocks [G]. Adjust the cables by pushing the feeder tube [G].



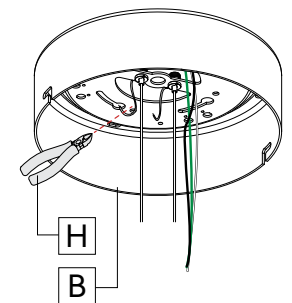
Drag back the cables [F] through the canopy hole.

Note: Height adjustment of the fixture must be done at this step.



Cut the excess cables with an aircraft cable cutter [H].

Note: Leave POC length of 1.5" to make the connection inside the canopy [B].



FOLIA ACOUSTIX

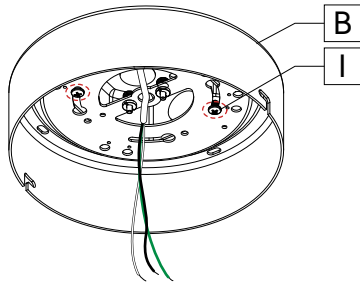
Pendant - Round Canopy Driver Box (RCD) - Multiple Canopies



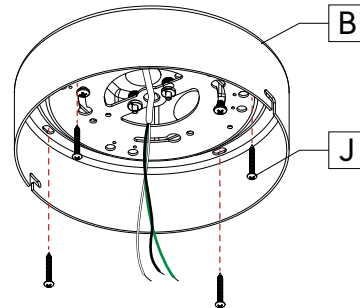
POC (POWER-OVER-AIRCRAFT CABLE)

3 FIX CANOPY TO CEILING.

Tighten the two screws [I] to secure the canopy [B] to the junction box.



Use #8 screws [J] to fasten the canopy [B] to the ceiling.

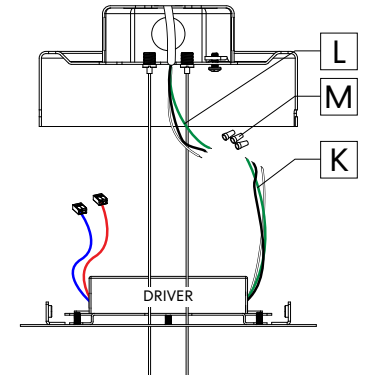


4 MAKE ELECTRICAL CONNECTIONS.

Make electrical connections between the driver [K] and the main power [L] with wire nuts [M] (by others).

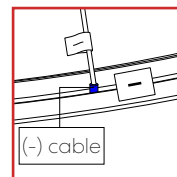
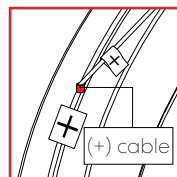
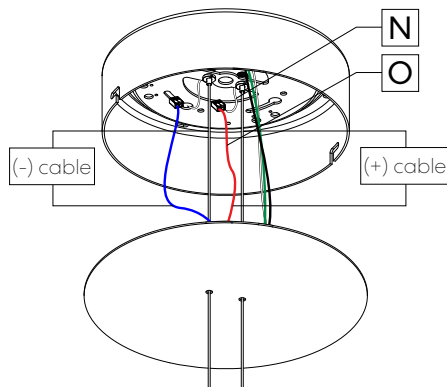
Note: Connect the green wire to your ground wire. Make sure to have a steady hold of the fixture. So, it is never hanging loosely from POC (power-over-aircraft cable) if installation is not complete.

Note: Number of wires may vary.

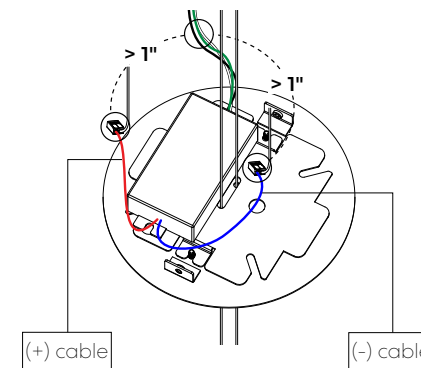


Make electrical connections between POC (power-over-aircraft cable) [N] and the driver [O].

Note: Make sure that you are connecting the negative (-) POC (as marked on the fixture with blue color and a label) to your negative wire and the positive (+) POC (as marked on the fixture with red color and a label) to your positive wire.



Organise the wires that will be placed inside the canopy. Make sure that the low voltage (+) and (-) are more than 1" away from the branch circuit.



FOLIA ACOUSTIX

Pendant - Round Canopy Driver Box (RCD) - Multiple Canopies



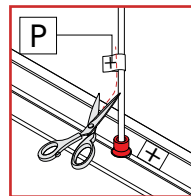
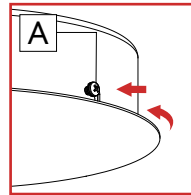
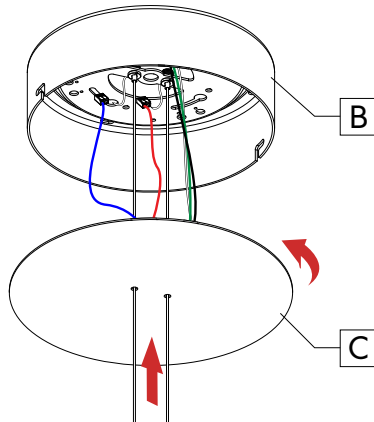
POC (POWER-OVER-AIRCRAFT CABLE)

5 REINSTALL CANOPY PLATE.

Put the canopy plate [C] back in place.

Secure the canopy plate [C] onto the canopy [B] by tightening the two screws [A] on the sides.

Cut the labels [P] off the wires.



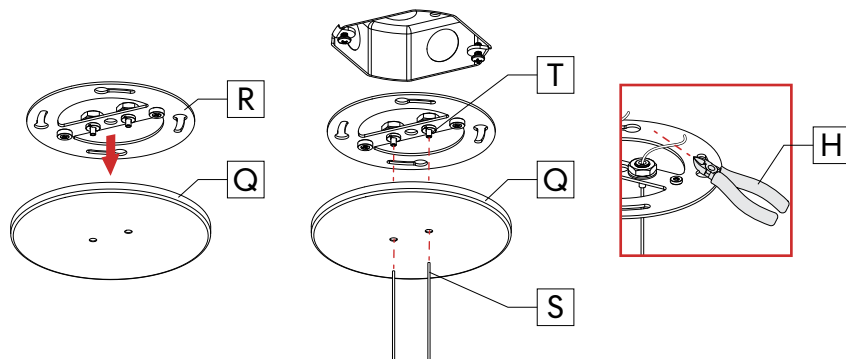
NON-POWER SIDE

1 INSTALL AIRCRAFT CABLES.

Separate the canopy [Q] from the mounting plate [R].

Pass the aircraft cables [S] through the canopy [Q]. Insert them into the griplocks [T] then adjust the cables [S] by pushing the feeder tube [T].

Cut the excess cables with an aircraft cable cutter [H].

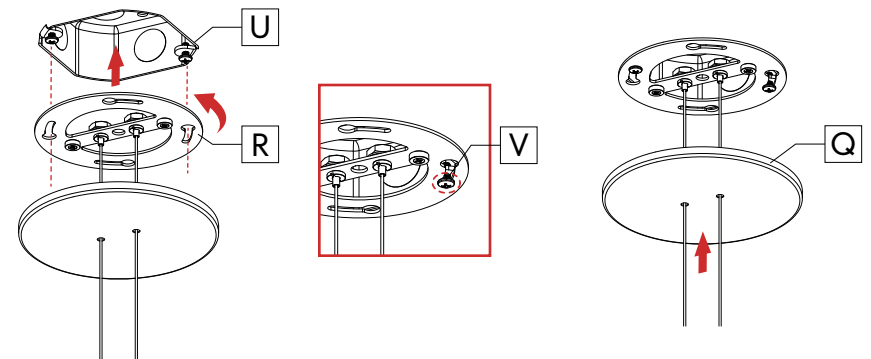


2 FIX MOUNTING PLATE AND CANOPY TO CEILING.

Mount and turn the mounting plate [R] to place on the junction box [U].

Put the canopy [Q] back in place.

Tighten screws [V] to secure the mounting plate [R] to the junction box.



FOLIA ACOUSTIX

Pendant - Round Canopy Driver Box (RCD) - Multiple Canopies

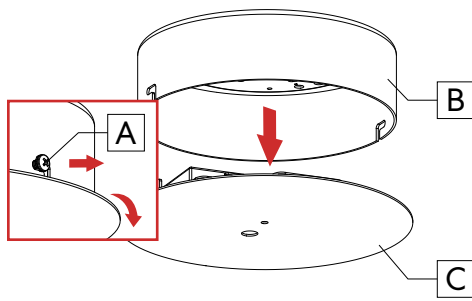


AC (AIRCRAFT CABLE)

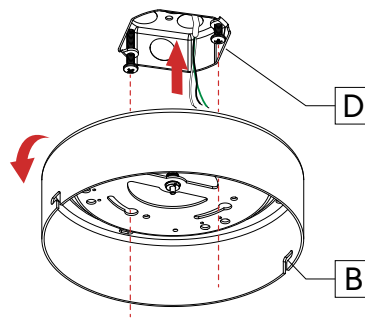
POWER SIDE

1 PREPARE MOUNTING POINTS.

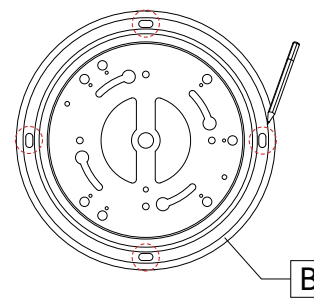
Slightly loosen the screws [A] on the side of the canopy [B]. Remove the canopy plate [C].



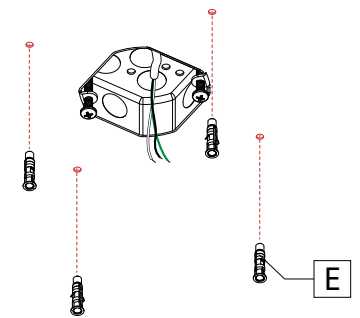
Fix the canopy [B] on the junction box [D].



Use the canopy [B] as a model to mark 4 holes.

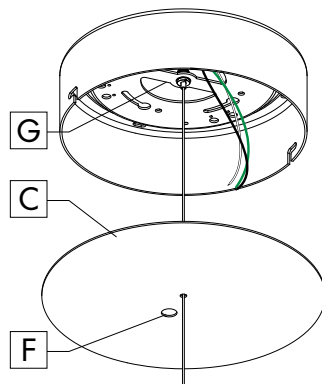


Remove the canopy. Drill holes ($\varnothing 1/4"$) following the red marks. Install #8 drywall anchors [E].



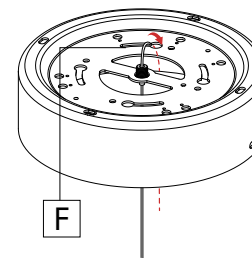
2 INSTALL AIRCRAFT CABLES.

Pass the aircraft cable [F] through the canopy plate [C]. Insert it into the griplock [G]. Adjust the cable by pushing the feeder tube [G].

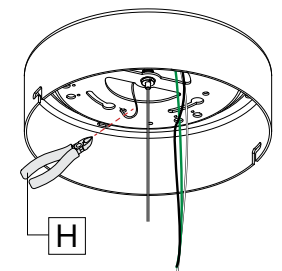


Drag back the cable [F] through the canopy hole.

Note: Height adjustment of the fixture must be done at this step.



Cut the excess cable with an aircraft cable cutter [H].



FOLIA ACOUSTIX

Pendant - Round Canopy Driver Box (RCD) - Multiple Canopies

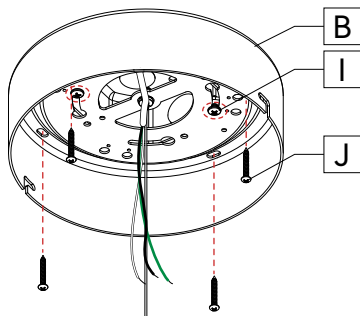


AC (AIRCRAFT CABLE)

3 FIX CANOPY TO CEILING.

Tighten the two screws [I] to secure the canopy [B] to the junction box.

Use #8 screws [J] to fasten the canopy [B] to the ceiling.

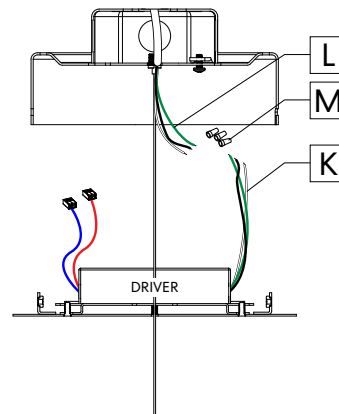


4 MAKE ELECTRICAL CONNECTIONS.

Make electrical connections between the driver [K] and the main power [L] with wire nuts [M] (by others).

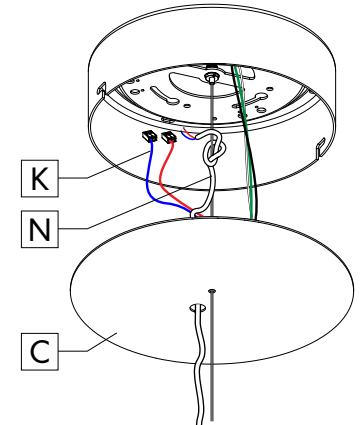
Note: Connect the green wire to your ground wire.

Note: Number of wires may vary.



Pass the power cord [N] into the canopy plate [C] and make a knot.

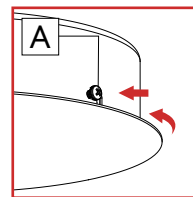
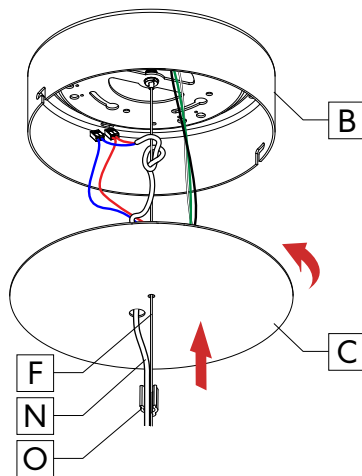
Make electrical connections between the power cord [N] and the driver [K].



5 REINSTALL CANOPY PLATE.

Secure the power cord [N] to the aircraft cable [F] with plastic clip [O]. Put canopy plate [C] back in place.

Secure the canopy plate [C] onto the canopy [B] by tightening the two screws [A] on the sides.



FOLIA ACOUSTIX

Pendant - Round Canopy Driver Box (RCD) - Multiple Canopies



AC (AIRCRAFT CABLE)

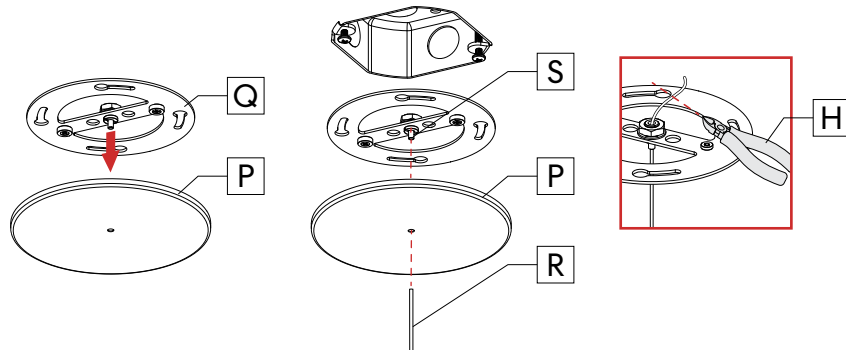
NON-POWER SIDE

1 INSTALL AIRCRAFT CABLE.

Separate the canopy [P] from the mounting plate [Q].

Pass the aircraft cable [R] through the canopy [P]. Insert it into the griplock [S] then adjust the cable [R] by pushing the feeder tube [S].

Cut the excess cable with an aircraft cable cutter [H].



2 FIX CANOPY TO CEILING.

Mount and turn the mounting plate [Q] to place on the junction box [T].

Tighten screws [U] to secure the mounting plate [Q] to the junction box.

Put the canopy [P] back in place.

