

FORMA CARET PENDANT DIRECT



DESCRIPTION

Timeless in appearance and flexible in function, the decorative Forma pendants embody the simple beauty of geometric design and the sophisticated power of innovative technology. The conical Caret, the truncated-cone-shaped Tote, and the hemisphere Cupola luminaires are each equipped with our Unity Pointed (UP) technology, which delivers lens brightness uniformity across all shapes and sizes within the same lumen output.



CARET 8"

FORMA CARET PENDANT DIRECT



Project: _____

Type: _____

Order Guide

LUMINAIRE ID	SIZE	DISTRIBUTION	OPTIC	LIGHT SOURCE	CRI Specify NA for Solid Color	LUMEN PACKAGE																
FCARP		D	HLO																			
FCARP - Forma Caret Pendant	8IN - 8" diameter 12IN - 12" diameter	D - Direct	HLO - High-Efficiency Lambertian Optic	SW - Static white FS - Full spectrum BIOSST - Static biologically-optimized lighting BIOSDY - Dynamic biologically-optimized lighting SOLA - Dim-to-warm single channel control 35K to 22K DUO - Tunable White 2-channel control 65K to 27K RS - Red solid GS - Green solid BS - Blue solid	80CRI ¹ - 80 CRI 90CRI ^{1, 2} - 90 CRI 95CRI ³ - 95 CRI NA - Not applicable ¹ Not available with full spectrum. ² Not available with BIOS. ³ Only available with full spectrum.	<u>SW, SOLA, DUO</u> <table border="1"> <tr> <td></td> <td>Low</td> <td>Medium</td> <td>High⁴</td> </tr> <tr> <td>8"</td> <td>x</td> <td>500LM</td> <td>700LM</td> </tr> <tr> <td>12"</td> <td>800LM</td> <td>1200LM</td> <td>1600LM</td> </tr> </table> ⁴ Not available with full spectrum or BIOS. <u>Solid Colors (RS, GS, BS)</u> <table border="1"> <tr> <td>8"</td> <td>6W</td> </tr> <tr> <td>12"</td> <td>14W</td> </tr> </table>		Low	Medium	High ⁴	8"	x	500LM	700LM	12"	800LM	1200LM	1600LM	8"	6W	12"	14W
	Low	Medium	High ⁴																			
8"	x	500LM	700LM																			
12"	800LM	1200LM	1600LM																			
8"	6W																					
12"	14W																					

COLOR TEMPERATURE Specify NA for Sola, Duo and Solid Color	VOLTAGE	DRIVER ⁶	ELECTRICAL
			1C
27K ⁵ - 2700K 30K - 3000K 35K - 3500K 40K - 4000K NA - Not applicable ⁵ Not available with BIOS.	120V - 120V 277V - 277V UNV - 120V-277V	<u>SW</u> D1 - 1% 0-10V DA ⁷ - DALI LDE1 ⁷ - Lutron Hi-lume 1% Eco ELD1 - eldoLED 1% ECOdrive 0-10V ELDO - eldoLED 0.1% SOLOdrive 0-10V ELV ⁸ - ELV 120V TRI ⁸ - TRIAC 120V <u>SOLA</u> SD1 - Single 0-10V input ⁶ PoE (Power-over-Ethernet) compatible. Consult factory for details. ⁷ On-site commissioning is required. ⁸ Available with 120V only.	<u>DUO</u> DDA ⁷ - DALI DT6 DDA8 ⁷ - DALI DT8 DD1 - Dual 0-10V input for CCT/intensity LD2 ⁷ - Lutron DALI-2 digital RDMX ⁷ - Remote DMX <u>Solid Colors</u> D1 - 0-10V 1C - 1 circuit

MOUNTING ⁹	BODY FINISH ¹⁰	INNER TRIM FINISH ¹¹
PCS - Power cord, standard STS - Stem, standard PCC() - Power cord, custom STC() - Stem, custom ⁹ Standard canopies are black for black fixtures, and white for all other finishes. See page 3 for full details on standard and custom options.	TMW - Textured matte white TMB - Textured matte black CF# - Custom finish, specify RAL# ¹⁰ See page 4 for more finish options.	TMW - Textured matte white TMB - Textured matte black CF# - Custom finish, specify RAL# ¹¹ See page 4 for more finish options.

Accessories

Optional, order separately

WALL CONTROLLER	
DMX WCW ¹² - DMX wall controller white WCB ¹² - DMX wall controller black ¹² Available with DMX only. For more information, see pages 8 to 11, or consult factory.	DD1 TWCW ¹³ - Dual 0-10V wall controller white TWCB ¹³ - Dual 0-10V wall controller black ¹³ Available with DD1 only. For more information, see page 12, or consult factory.



FORMA CARET PENDANT DIRECT



Pendant Mounting Code

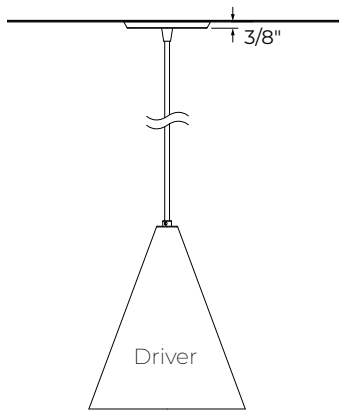
Standard

For a standard mounting, please refer to the information below.

MOUNTING

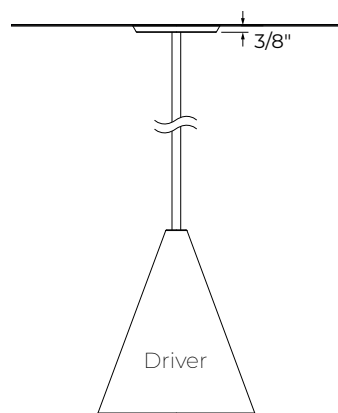
PCS - Power cord

- Ø 5" canopy
- Canopies are black for black fixtures, and white for all other fixture finishes
- Power cord is black for black fixtures, and white for all other fixture finishes
- Power cord length is 36"



STS - Stem

- Ø 5" canopy
- Canopies are black for black fixtures, and white for all other fixture finishes
- Stem finish is the same color as fixture
- Stem length is 18"
- Stem is not field adjustable



Custom

Power cord

For a custom mounting, specify the options in the parentheses.

Example: PCC(5PC-36IN-TMW-PCW)

MOUNTING

PCC()				
	CANOPY SIZE	POWER CORD LENGTH	CANOPY FINISH	POWER CORD COLOR
PCC	5PC - Ø 5" power canopy	36IN - 36" 72IN - 72" #IN ¹ - Other lengths, specify in inches ¹ Minimum length is 18". Maximum length is 72". For longer lengths, please consult factory.	TMW - Textured matte white TMB - Textured matte black CF# - Custom finish, specify RAL#	PCW - White PCB - Black

Stem

For a custom mounting, specify the options in the parentheses.

Example: STC(5PC-18IN-TMW-STW)

MOUNTING

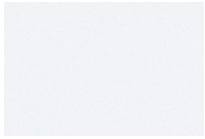
STC()				
	CANOPY SIZE	STEM LENGTH	CANOPY FINISH	STEM COLOR
STC	5PC - Ø 5" power canopy	18IN - 18" 36IN - 36" #IN ² - Specify length in inches ² Minimum length is 7". Maximum length is 72". Stem is not field adjustable.	TMW - Textured matte white TMB - Textured matte black CF# - Custom finish, specify RAL#	STW - White STB - Black STCF# - Custom finish, specify RAL#

FORMA CARET PENDANT DIRECT



Fixture Finishes

Standard



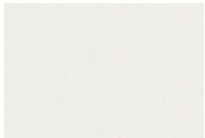
TMW - Textured Matte White



TMB - Textured Matte Black

Custom

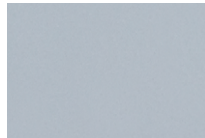
Neutrals



CRM - Cream



GRY - Gray



STG - Steel Gray



SAG - Sage Gray

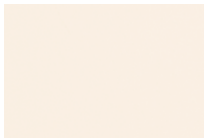


MOG - Moss Gray



BLB - Black Blue

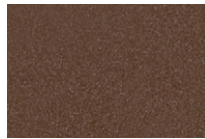
Designer



ALM - Almond



QRZ - Quartzite Texture



RST - Rust Fine Texture



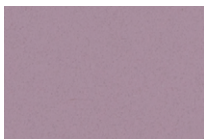
GRB - Green Beige



YLW - Yellow



SLM - Salmon Pink



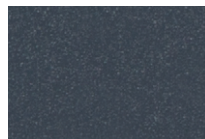
VIO - Pastel Violet



RED - Red



PRR - Purple Red



SMB - Storm Blue



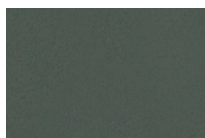
DPB - Deep Blue



OCB - Ocean Blue



BLG - Blue Green



GNS - Green Smoke



MNG - Mint Green



LMG - Lime Green

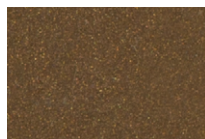
Metallics



CHP - Champagne



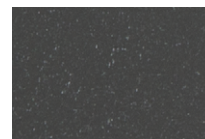
GLD - Gold



DBZ - Dark Bronze



IRN - Iron Ore



CNY - Canyon



SBP - Sandblast Copper



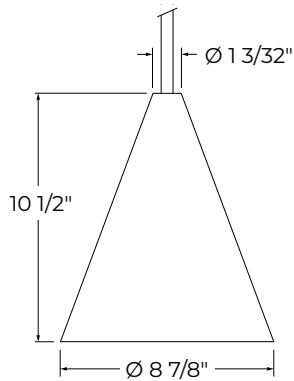
SWD - Sandalwood

FORMA CARET PENDANT DIRECT

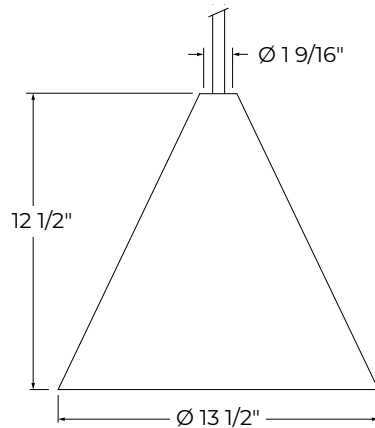


Dimensions

Ø8"



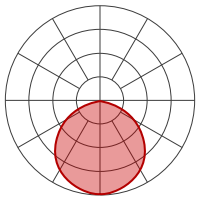
Ø12"



Photometrics

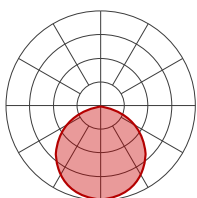
Delivered Lumens at 35K at 80 CRI

Ø8"



LED OUTPUT	DELIVERED LUMENS	INPUT WATTAGE	EFFICACY LPW
Medium output	500	5.3	94
High output	700	7.6	92

Ø12"



LED OUTPUT	DELIVERED LUMENS	INPUT WATTAGE	EFFICACY LPW
Low output	800	8.8	91
Medium output	1200	13.5	89
High output	1600	18.4	87

Multiplier - CCT/CRI

CCT (K)	WATTS		LPW	
	CRI80	CRI90	CRI80	CRI90
2700	1.05	1.26	0.95	0.79
3000	1.01	1.23	0.99	0.81
3500	1.00	1.20	1.00	0.84
4000	1.00	1.17	1.00	0.85

Technical Specifications

OPTIC

High-Efficiency Lambertian Optic (HLO)

Shielding of 0.1" thick, thermoformed diffusing acrylic with up to 70% transmission and excellent source obscuration. Vertical return edge illuminates inside of housing. Luminaire brightness is controlled by the flux-to-shielding area ratio.

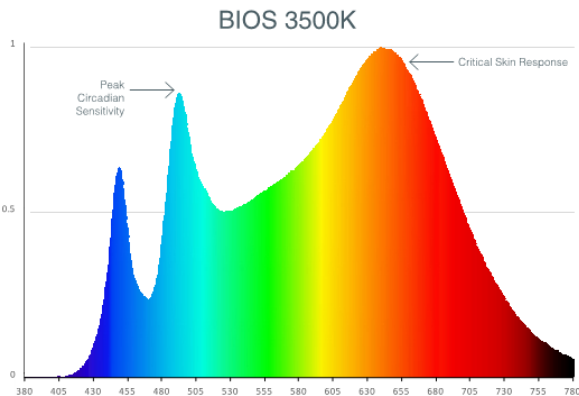
LIGHT SOURCE - STATIC WHITE

Custom array of mid-flux LEDs are mounted directly to the housing for optimal thermal performance. Available in 2700K, 3000K, 3500K and 4000K with a minimum 80 CRI and an option for 90 CRI with elevated R9 value. Color consistency maintained to within 3 SDCM. LEDs operated at reduced drive current to optimize efficacy and lumen maintenance.

All LEDs have been tested in accordance with IESNA LM-80-08 and the results have shown L80 lumen maintenance greater than 60,000 hours. Absolute product photometry is measured and presented in accordance with IESNA LM-79, unless otherwise indicated. Optional full spectrum LEDs can be incorporated in the fixture to increase Cyanosis Observation Index (COI) and assist in regulating circadian rhythms.



BIOS SkyBlue™ Technology is designed to provide the specific circadian stimulus to improve overall sleep quality, recovery during the night, and overall feelings of well-being. The non-visual light signals that stimulate our circadian system have peak intensity in the "sky blue" region. As the diagram below illustrates, BIOS SkyBlue technology shifts the peak LED spectral intensity (490 nm) to align better with the peak response of circadian stimulus. Also note the enhanced deep-red (near 660 nm) spectrum.



CHROMAWERX - TUNABLE WHITE

Chromawerx SOLA

Chromawerx SOLA is single-channel control that dims output while warming the color temperature in a pre-determined relationship. A simple analog control adjusts a specially populated LED array to emulate the effect of dimming a filament source.

Chromawerx DUO

Chromawerx DUO offers a two-channel control system which uses analog or digital protocols for synchronous control of both cool (6500K) to warm (2700K) LED arrays - maintaining a CRI above 90. The range of color DUO offers is useful for entraining circadian rhythms, stimulating alertness, and compensating for jet lag among other applications. The Chromawerx drivers are programmed to limit maximum light output and power usage across all color temperatures. When paired with DALI drivers (DDA/DDA8), color tuning follows a linear dimming curve.

Chromawerx Solid colors

For dramatic coloration, Forma Caret offers Chromawerx options for solid colors like red, green, or blue. Consult Lumenwerx for implementations of Chromawerx Duo with white and solid color LEDs, enabling muted colors or the ability to switch between white and colored light.



RS - Red solid

BS - Blue solid

GS - Green solid

ELECTRICAL

Factory-set, adjustable output current LED driver with universal (120-277 VAC) input. Dimmable from 100% to 1% with 0-10V dimming control. Rated life (90% survivorship) of 50,000 hours at 50°C max. ambient (and 70°C max. case) temperature. At maximum driver load: Efficiency > 84%, PF > 0.9, THD < 20%. Other specifiable options include Lutron Hi-Lume 1% Eco, DMX (RDM compatible), eldoLED 1% ECOdrive 0-10V, eldoLED 0.1% SOLOdrive 0-10V, ELV, TRIAC, Lutron DALI-2 digital, and DALI protocol drivers. All of our standard 0-10V drivers are NEMA 410 compliant.

PoE

Depending on the PoE manufacturer selected, Lumenwerx will install the node in factory as either integral to the luminaire, or as a remote module. Factory programming of the PoE node may or may not enable the following functionalities: lumen package, Duo (tunable white), emergency battery backup, and sensor integration. These must be addressed and evaluated on a case-by-case basis.

FORMA CARET PENDANT DIRECT



FINISH

Interior - 95% reflective, matte white powder coating.

Exterior - Standard powder-coat paint available in textured matte white and black. Custom colors are also available in over 30 colors.

CONSTRUCTION

Housing - Spun aluminum

Canopy - Spun sheet metal

Lens - Thermoformed acrylic

WEIGHT

8" - 3.1 lbs - 1.4 kg

12" - 5.9 lbs - 2.8 kg

CERTIFICATIONS

ETL - Rated for Indoor Dry/Damp locations. Conforms to UL Standard 1598 and certified to CAN/CSA Standard C22.2 No. 250.0.

WARRANTY

Lumenwerx provides a five-year limited warranty of electrical and mechanical performance of the luminaires, including the LED boards, drivers, and auxiliary electronics. Lumenwerx will repair or replace defective luminaires or components at our discretion, provided they have been installed and operated in accordance with our specifications. Other limitations apply, please refer to the full warranty on our website.

FORMA CARET PENDANT DIRECT



DUO DMX SPECIFICATION

A qualified DMX integrator is required to assure proper installation and commissioning of the DMX network. **When placing the PO, please provide the contact information of your DMX integrator.**

Please answer the following questions to help us identify your DMX network requirements.

YES

Do you require a wall controller provided by Lumenwerx?

NO

DMX control system supplied by others. Lumenwerx will supply DMX-enabled fixtures with default DMX addressing. See following pages for technical DMX informations. ✓

DMX controller supplied by Lumenwerx

How many zones do you have?
A zone consists of one or more luminaires behaving identically.



1 Zone



2 Zones

How to calculate the required number of drivers:

Per fixture

1x Driver / 50W per side

To Calculate # of drivers

1-4 Zones

5 or more Zones

Do you have more than 32 drivers in total?

NO

YES

Order a standard Lumenwerx wall controller.

WALL CONTROLLER

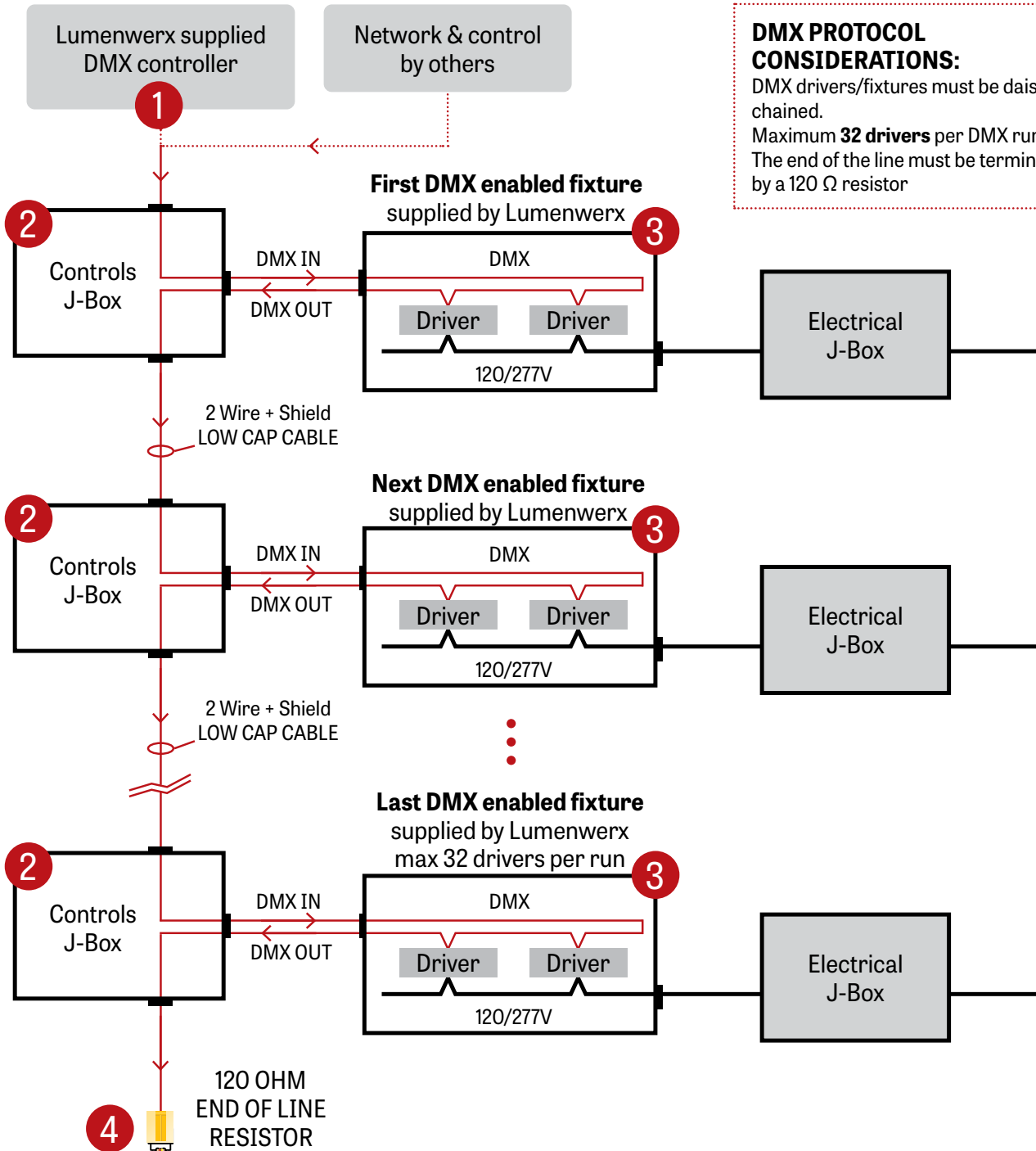
WCW - wall controller white
WCB - wall controller black

Add the control code at the end of your order code.
Please provide a fixture layout or RCP (Reflected Ceiling Plan) showing the locations of the DMX fixtures, zones and the DMX wall controller.
Refer to your DMX integrator for the installation. ✓

Subject to factory evaluation. Please contact our controls specialist at controls@lumenwerx.com
Additional costs and equipment will be required. ✓

Subject to factory evaluation and approval. Please contact our controls specialist at controls@lumenwerx.com
Additional costs and equipment will be required. ✓

GENERIC DMX NETWORK ARCHITECTURE



DMX PROTOCOL CONSIDERATIONS:

DMX drivers/fixtures must be daisy chained.
Maximum **32 drivers** per DMX run.
The end of the line must be terminated by a 120 Ω resistor

FORMA CARET PENDANT DIRECT

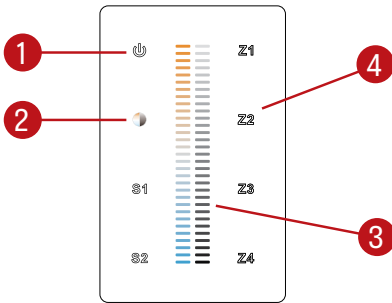


DMX WALL CONTROLLER - TUNABLE WHITE

Default DMX Addresses:

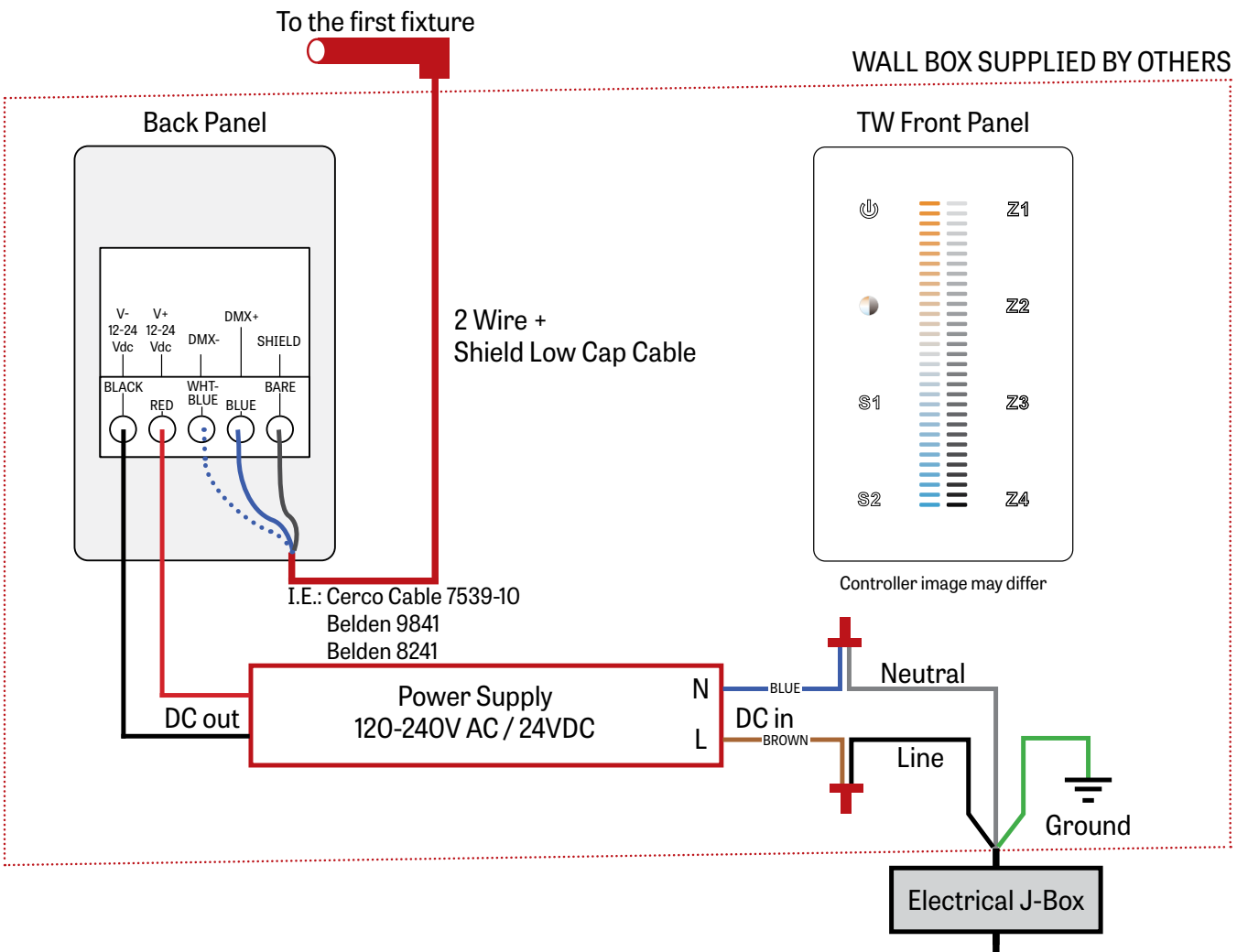
- 1. WARM
- 2. COOL

DUO 1-4 ZONE

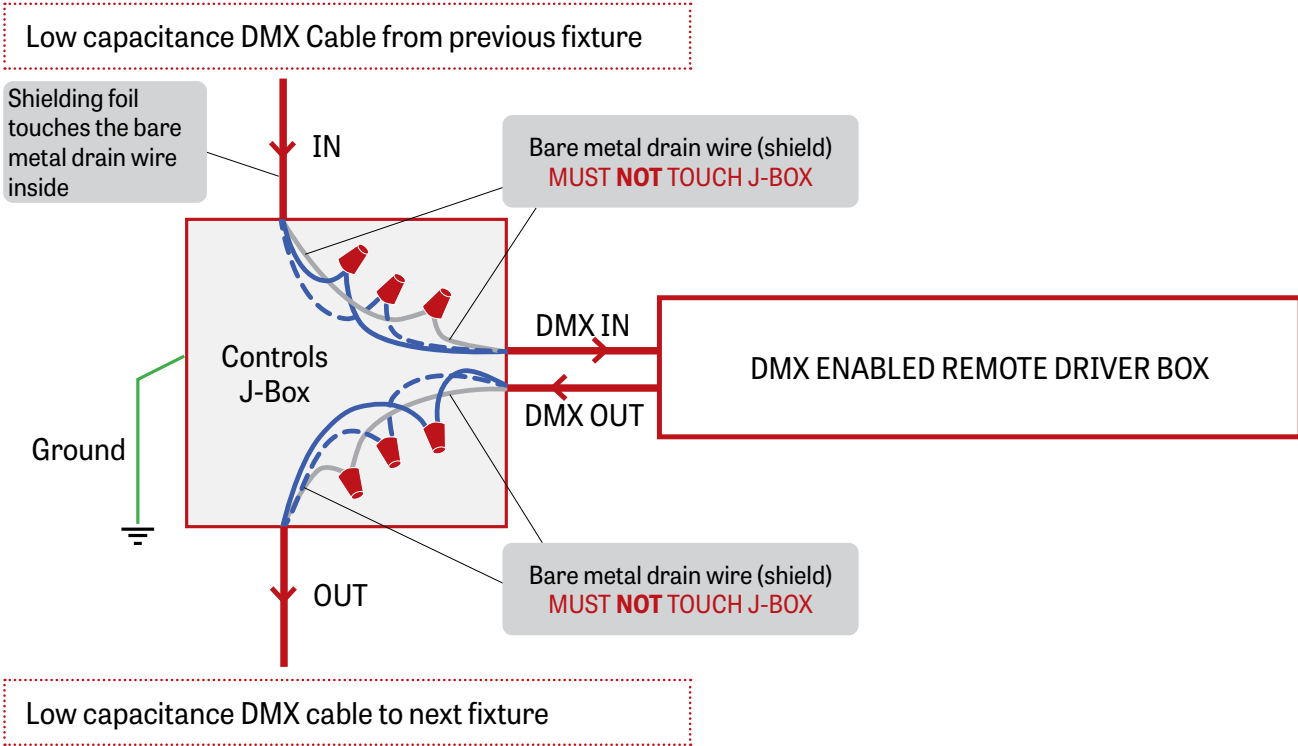


- (1) Power: Use this button to turn ON or OFF the fixture.
- (2) Brightness/CCT: Use the color/brightness toggle button to chose between color/brightness. When blue: brightness is selected; when yellow: color is selected.
- (3) Slider: Depending on the mode chosen in 2, the slider will allow the user to set desired color or brightness.
- (4) Zone select: Up to 4 zones can be selected, either independently or together. Once selected, the commands will be sent to the zone identified by a Blue LED.

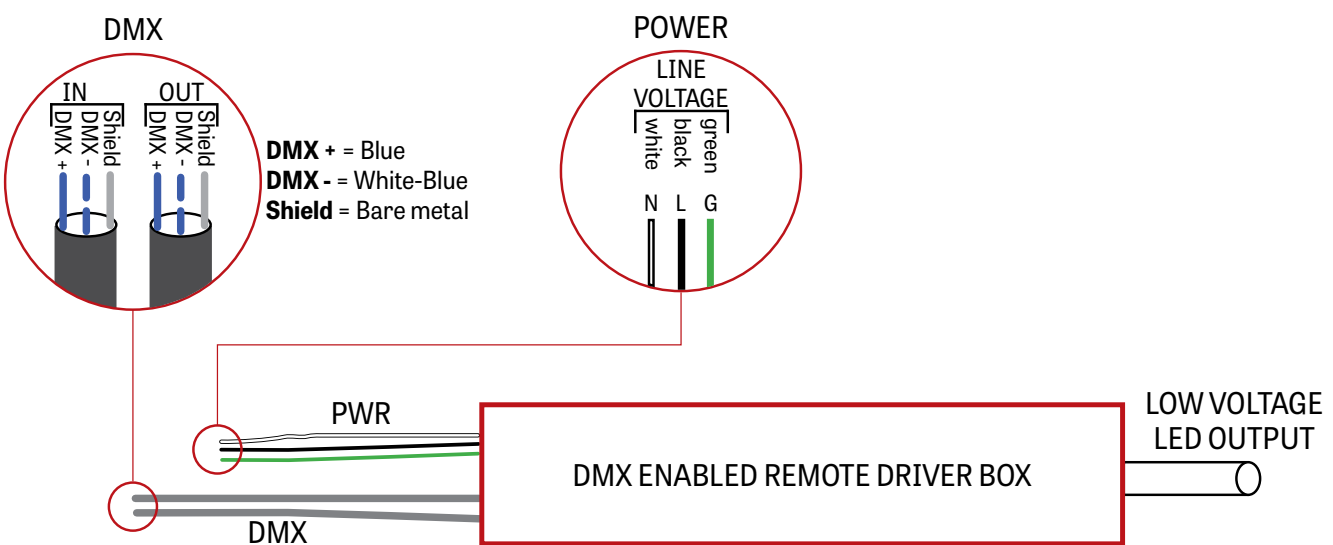
1 LUMENWERX SUPPLIED DMX CONTROLLER



2 J-BOX DMX DAISY CHAIN DETAIL



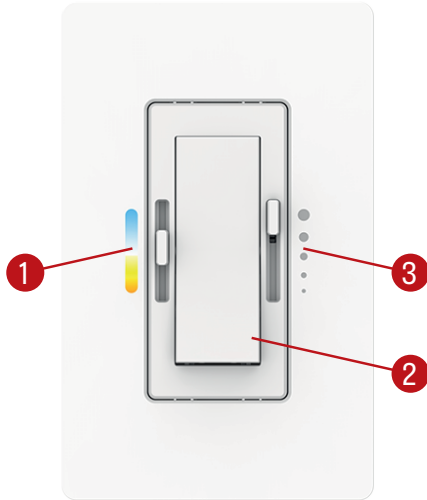
3 DMX CONNECTION PENDANT & WALL REMOTE DRIVER



FORMA CARET PENDANT DIRECT

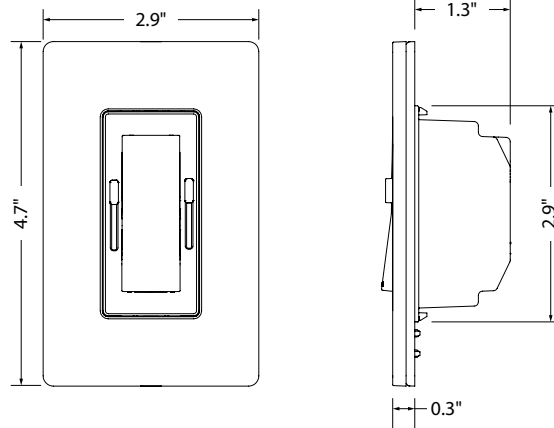
DUAL 0-10V WALL CONTROLLER

Front Panel



Controller image may differ

Dimensions



- (1) CCT control: Use this button to adjust the color temperature.
- (2) On/Off switch: Use this button to turn ON or OFF the fixture.
- (3) Dimming control: Use this button to adjust the brightness.

Wiring Diagram

