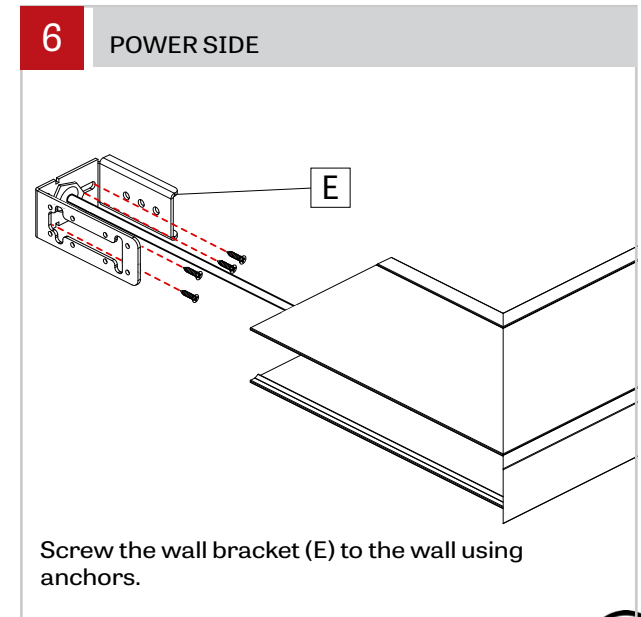
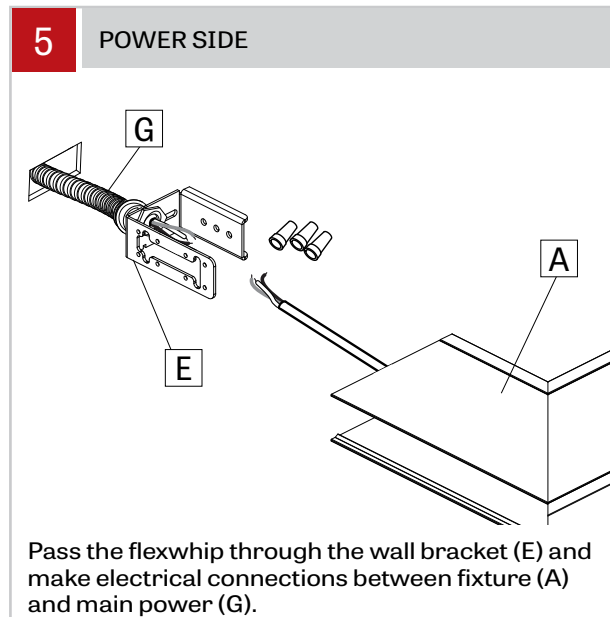
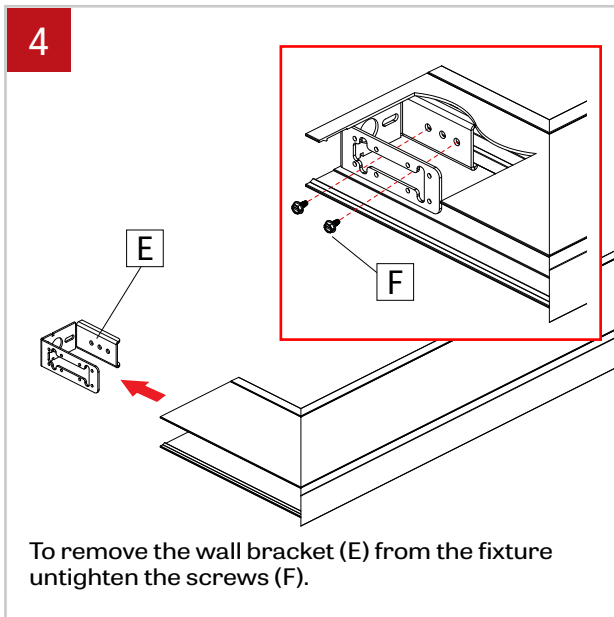
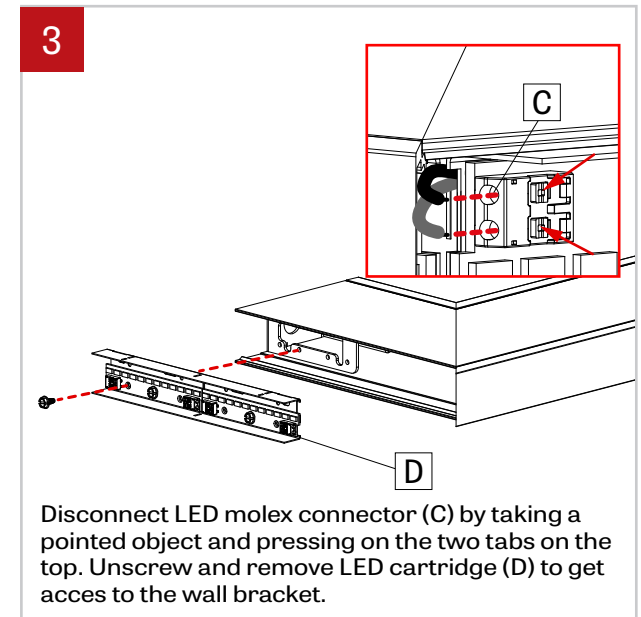
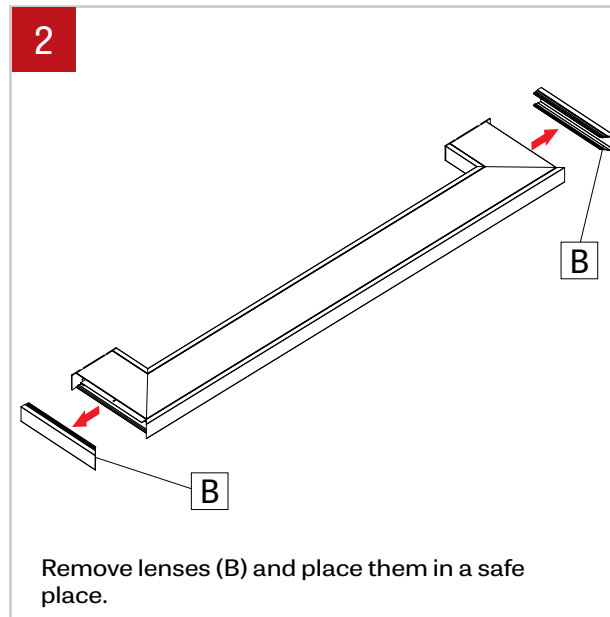
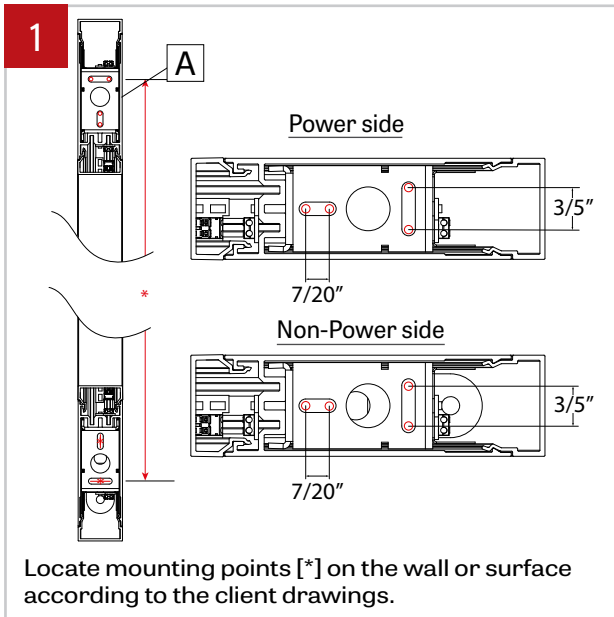


# FORTEX1 in-out

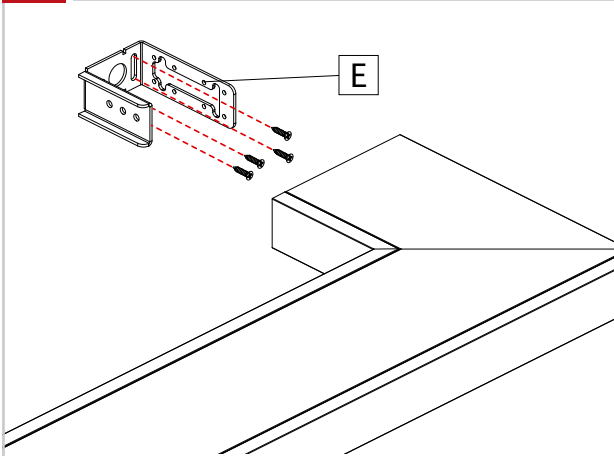
## WALL MOUNT/SURFACE MOUNT - INSTRUCTIONS

**IMPORTANT:** Installation instructions are shown with 4ft Fortex 1 in-out and applies to all Fortex 1 in-out sizes

**NOTE:** Wire dimming conductors as Class 1

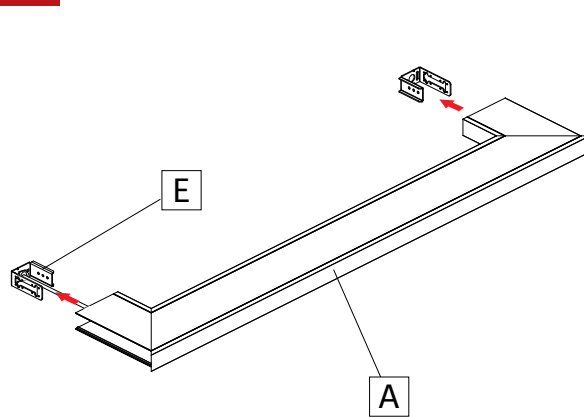


### 7 NON-POWER SIDE



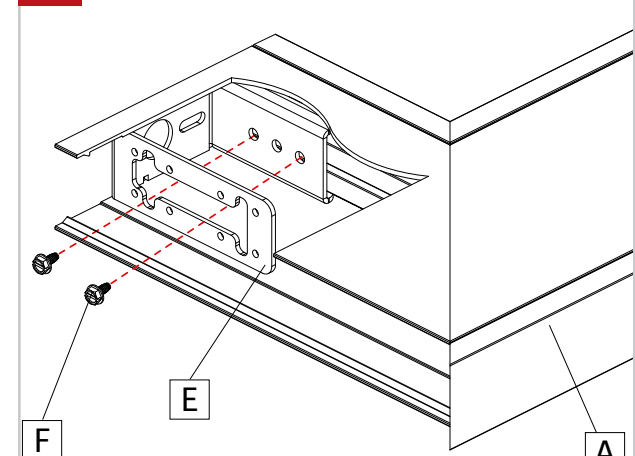
Screw the wall bracket (E) to the wall using anchors.

### 8



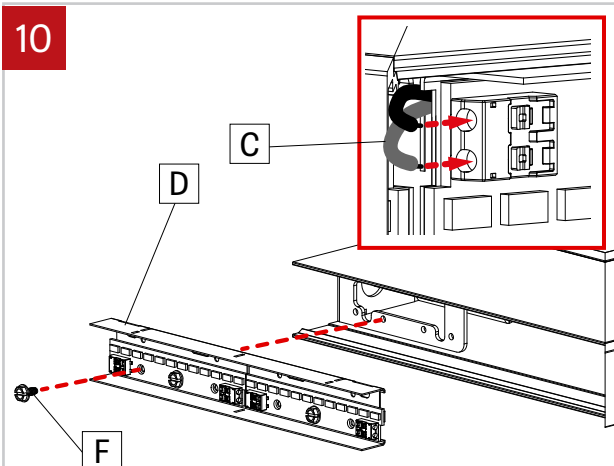
Align and place the fixture (A) on the wall brackets (E).

### 9



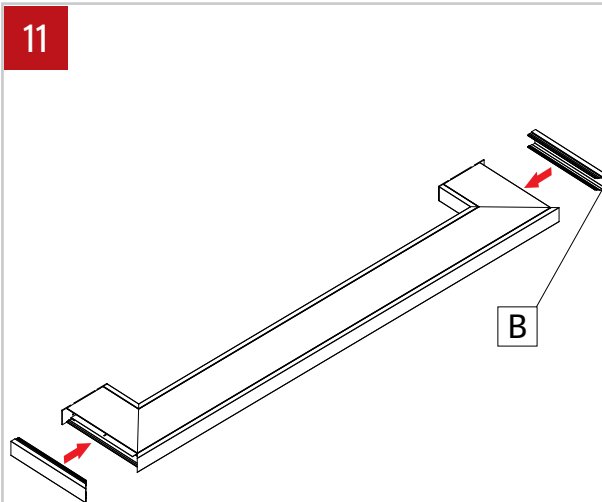
Put back in place screws (F) to attach the fixture (A) to the wall bracket (E).

### 10



Reconnect LED molex connectors (C) to the cartridge (D). Screw (F) back in place LED cartridge.

### 11



Put back in place lenses (B).