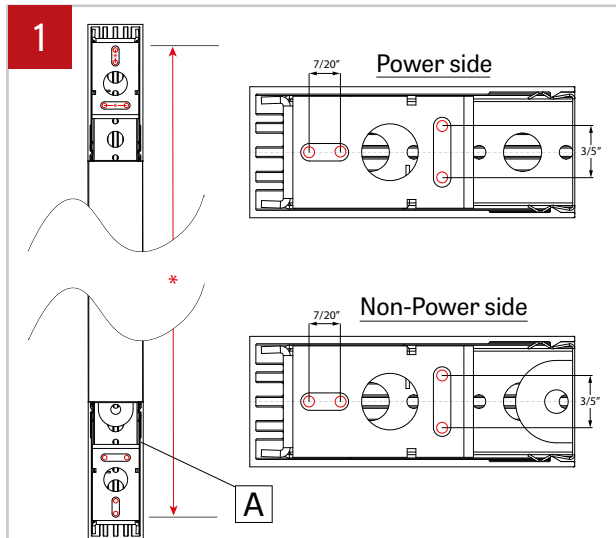
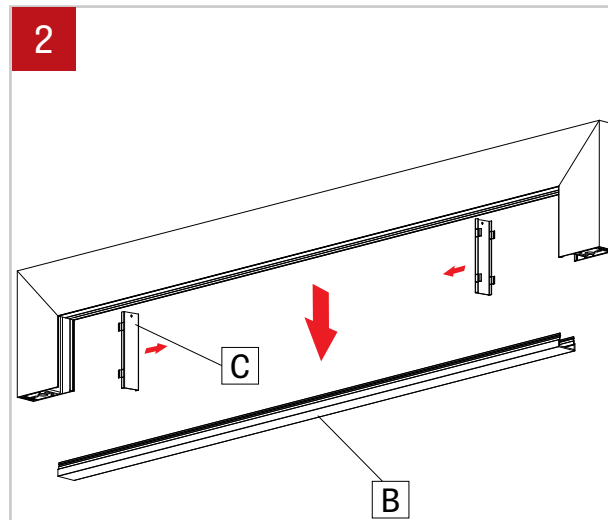


**IMPORTANT:** Installation instructions are shown with 4ft Fortex 1 in and applies to all Fortex 1 sizes

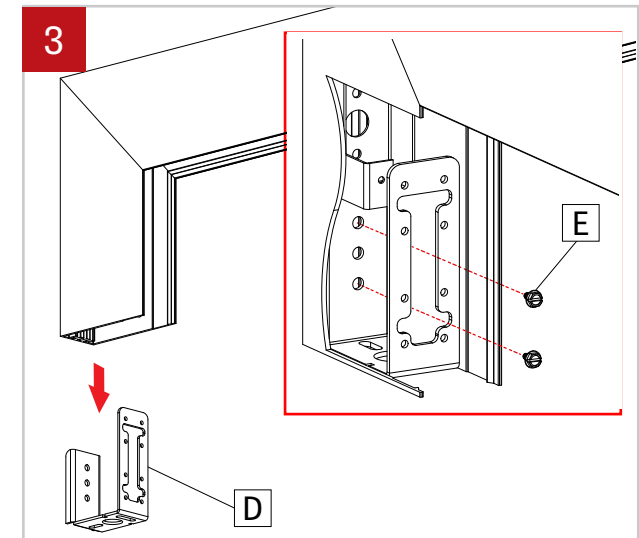
**NOTE:** Wire dimming conductors as Class 1



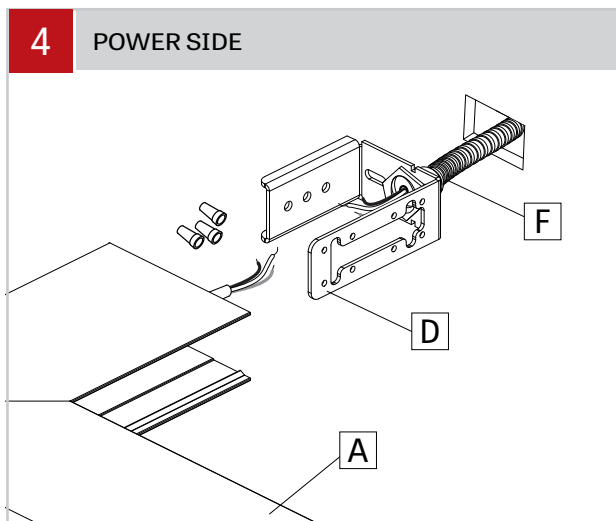
Locate mounting points [\*] on the wall or surface according to the client drawings.



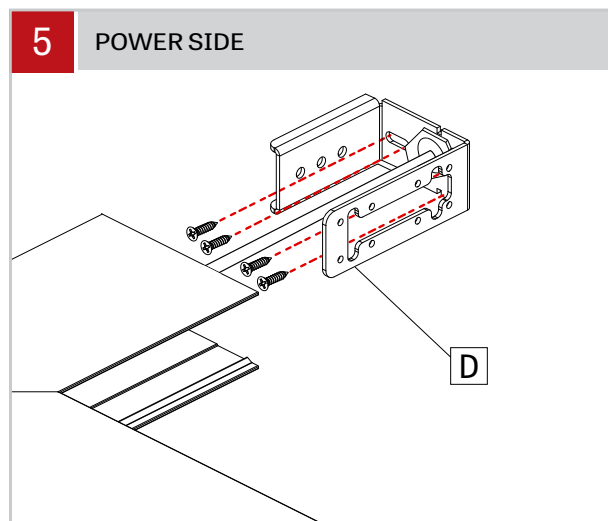
Remove the lens (B) and the blank covers (C). Place them in a safe place.



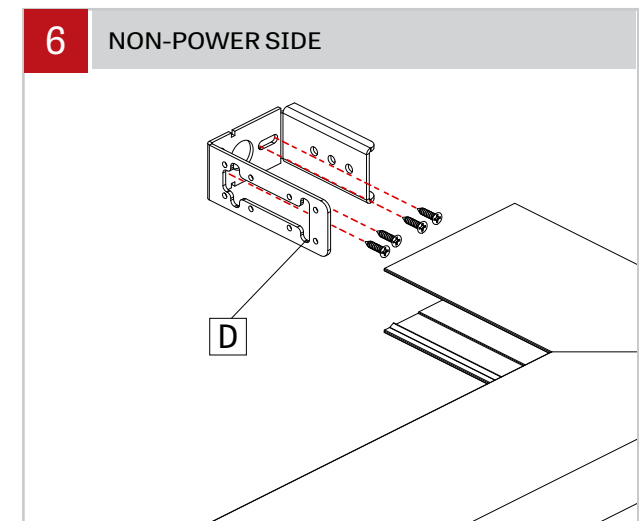
To remove the wall bracket (D) from the fixture untighten the screws (E).



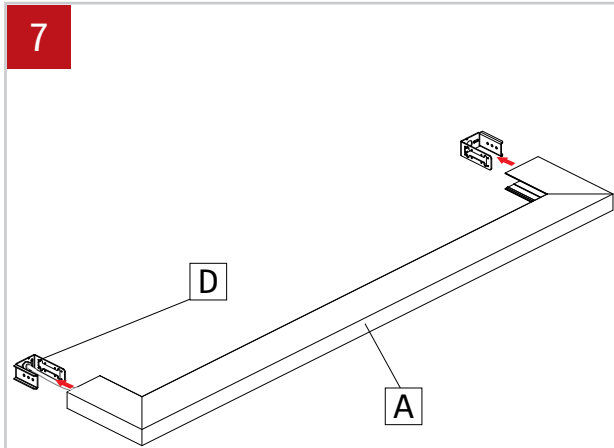
Pass the flexwhip through the wall bracket (D) and make electrical connections between fixture (A) and main power (F).



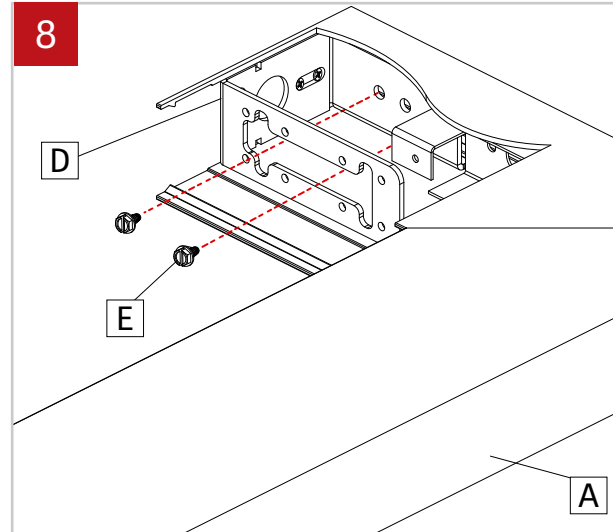
Screw the wall bracket (D) to the wall using anchors.



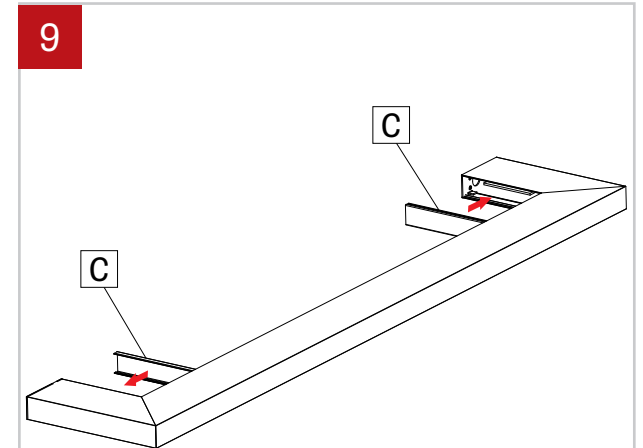
Screw the wall bracket (D) to the wall using anchors.



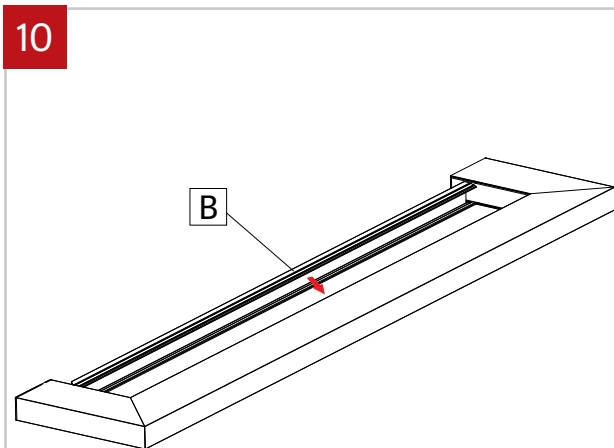
Align and place the fixture (A) on the wall brackets (D).



Put back in place screws (E) to attach the fixture (A) to the wall bracket (D). Repeat on both sides.



Install the blank covers (C) on the inner sides.



Put back in place the lens (B).