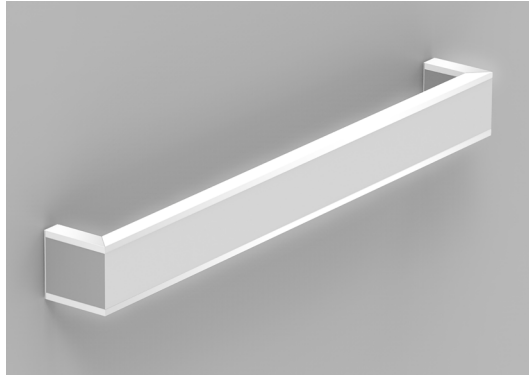


# FORTEX 2 LED

WALL

**DIRECT/INDIRECT**



PROJECT: \_\_\_\_\_  
 TYPE: \_\_\_\_\_  
 NOTES: \_\_\_\_\_

## DESCRIPTION

**Fortex 2** is a versatile, distinctive and elegantly scaled wall luminaire ideal. With just a 4" extension from the wall, Fortex 2 complies with ADA requirements. The luminaire consists of crisp 4.25" x 1.5" extruded aluminum sides, capped by a gently glowing optic that extends 0.5" beyond the housing. Corners are mitered and fully luminous. Fortex coordinates with Via 1.5 Plus linear luminaires.



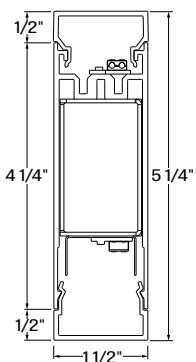
## ORDER GUIDE

FOR2WDI	HLO	SW			
LUMINAIRE ID	OPTICS	LIGHT SOURCE	CRI	DIR/IND LUMEN PACKAGES	COLOR TEMP.
FOR2WDI - fortex 2 wall direct/indirect	HLO - High-Efficiency Lambertian Optic	SW - Static white	80 - 80CRI 90 - 90CRI	200 - min. ultra low output 200lm/ft 400 - max. low output 400lm/ft #### - other required lm/ft	27 - 2700k 30 - 3000k 35 - 3500k 40 - 4000k

LUMINAIRE LENGTH	VOLTAGE	DRIVER	1	DMB	FINISH	OPTIONS
			ELECTRICAL	MOUNTING		
18IN - 18"	120 - 120V	D1 - 1% dimming 0-10V	1 - 1 circuit	DMB - drywall mounting bracket	W - matte white AL - aluminum CF# - custom finish specify RAL#	CU - custom
2FT - 2'	277 - 277V	DA - Dali				
3FT - 3'	UNV - 120V-277V	LDE1 - Lutron Hi-Lume 1% Eco				
4FT - 4'		* 18" is only available with dimming 0-10V				

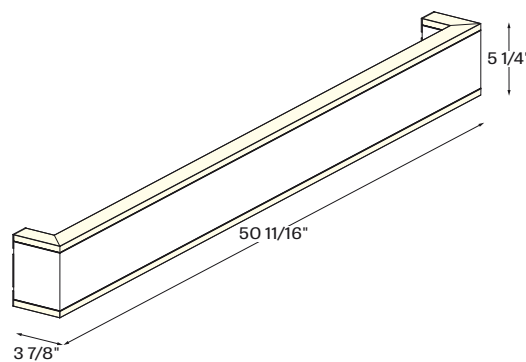
See page 2 for ordering code detailed information

## SECTION VIEW



FOR2WDI

## 3D VIEW



FOR2WDI - 4'

## OPTICS



HLO - High-efficiency Lambertian Optic

# FORTEX 2 LED

WALL

## DIRECT/INDIRECT

### OPTICS

**HIGH EFFICIENCY LAMBERTIAN OPTIC (HLO)** - Matte white side reflectors combined with High-Efficiency Lambertian Optic (HLO) shielding of diffusing 0.075" thick acrylic with up to 88% transmission and good source obscuration. Luminaire brightness is controlled by the flux-to-shielding area ratio.

### LIGHT SOURCE - LED

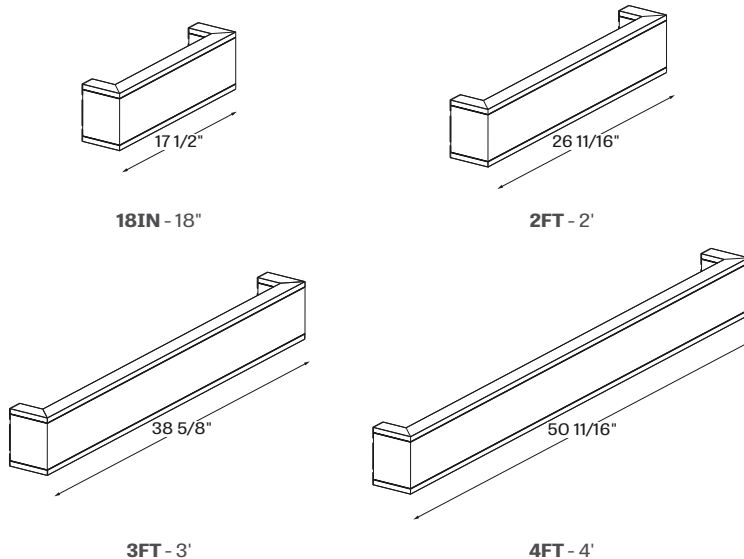
Custom linear array of mid-flux LED's are cartridge-mounted with quick-connect wiring to facilitate service and thermal management. Available in 3000K, 3500K and 4000K with a minimum 80 CRI and an option for 90 CRI with elevated R9 value. Color consistency maintained to within 3 SDCM. LEDs operated at reduced drive current to optimize efficacy and lumen maintenance. All LEDs have been tested in accordance with IESNA LM-80-08 and the results (following TM-21) have shown L80 lumen maintenance greater than 60,000 hours. Absolute luminaire photometry is measured and presented in accordance with IESNA LM-79, unless otherwise indicated.

### PERFORMANCE PER 1' AT 4000K

LED output	Color Temp	Watts	Nominal Delivered Lumens	Efficacy LPW
low output	4000K	2.5	200	88
medium output	4000K	4	400	97

### LUMINAIRE LENGTH

Fortex 2 wall is offered in 4 standard length, 18", 2', 3' and 4'.

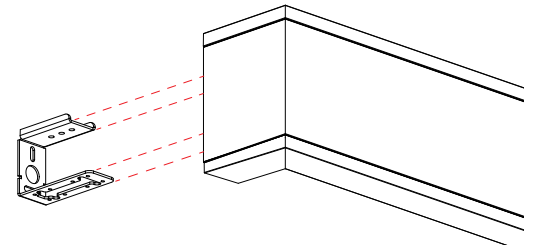


### ELECTRICAL

Factory-set, adjustable output current LED driver with universal (120-277VAC) input. Dimmable from 100% to 1% with 0-10V dimming control. Rated life (90% survivorship) of 50,000 hours at 50°C max. ambient (and 70°C max. case) temperature. At maximum driver load: Efficiency > 84%, PF > 0.9, THD < 20%. Other specifiable options include Lutron Hi-Lume 1% Eco and DALI protocol drivers. All of our standard 0-10V drivers are NEMA 410 compliant.

### MOUNTING OPTIONS

The mounting bracket installs on to the wall using drywall anchors or secured into stud, and is finished to match the luminaire. Electrical connection is made using pre-existing flexwhip to avoid visible junction box.



### FINISH

**Interior** - 95%, reflective matte powder coated white paint  
**Exterior** - matte white or aluminum powder coating. Custom finishes are also available.

### CONSTRUCTION

**Housing** - Extruded Aluminum (0.095" nominal) up to 90% Recycled Content  
**Interior brackets** - Die formed cold rolled sheet steel 18 gauge thick  
**Mounting bracket** - Cold Rolled steel (14GA & 11GA)  
**Reflectors** - Cold rolled steel 0.024" thick precisely die formed, 95% reflective matte white painted

### WEIGHT

**Fortex 2 - 18In** - 5.64lbs - 2.56kg  
**Fortex 2 - 2ft** - 7.81lbs - 3.54kg  
**Fortex 2 - 3ft** - 9.40lbs - 4.26kg  
**Fortex 2 - 4ft** - 11.02lbs - 5.08kg

### CERTIFICATIONS

**ETL** - Rated for Indoor Dry/Damp locations. Conforms to UL Standard 1598 and certified to CAN/CSA Standard C22.2 No. 250.0.

# FORTEX 2 LED

WALL

## DIRECT/INDIRECT

### WARRANTY

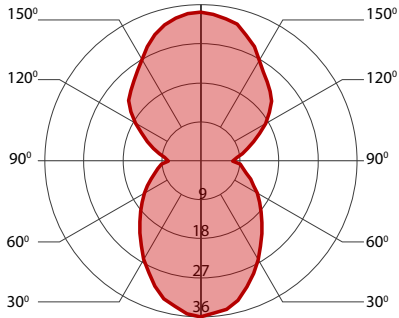
LumenWerx provides a five-year limited warranty of electrical and mechanical performance of the luminaires, including the LED boards, drivers, and auxiliary electronics. LumenWerx will repair or replace defective luminaires or components at our discretion, provided they have been installed and operated in accordance with our specifications. Other limitations apply, please refer to the full warranty on our website.

# FORTEX 2 LED

WALL

## DIRECT/INDIRECT

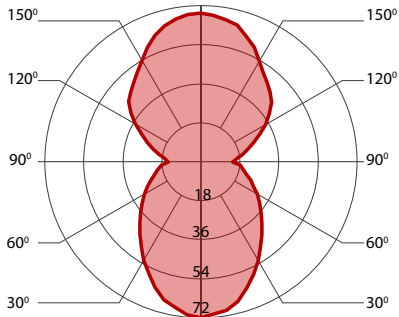
### 200 LUMEN AT 80CRI - ULTRA LOW OUTPUT



#### PERFORMANCE PER 1'

LED output	Color Temp	Watts	Nominal Delivered Lumens	Efficacy LPW
ultra low output	3000K	2.5	200	83
ultra low output	3500K	2.5	200	85
ultra low output	4000K	2.5	200	88

### 400 LUMEN AT 80CRI - LOW OUTPUT



#### PERFORMANCE PER 1'

LED output	Color Temp	Watts	Nominal Delivered Lumens	Efficacy LPW
low output	3000K	4.5	400	91
low output	3500K	4.5	400	94
low output	4000K	4	400	97