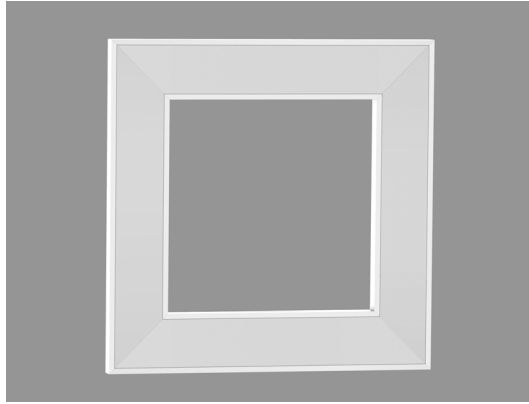


FORTEX 5 LED

WALL

OUTWARD/INWARD LIGHT DISTRIBUTION



PROJECT: _____

TYPE: _____

NOTES: _____

DESCRIPTION

Fortex 5 is a series of distinctive and elegantly scaled wall luminaires ideal for circulation areas and vestibules and as decorative accents. Fortex 5 wall luminaires consist of crisp 4.25" x 1.5" extruded aluminum sides, capped with gently glowing inward and outward optics that extend 0.5" beyond the housing. Corners are mitred and fully luminous. Fortex 5 stands off the wall by 0.75" and casts gentle spill light that adds an intriguing detail. With an overall extension of just 2.25", Fortex 5 complies with ADA requirements. Fortex coordinates with Via 1.5 Plus Linear.

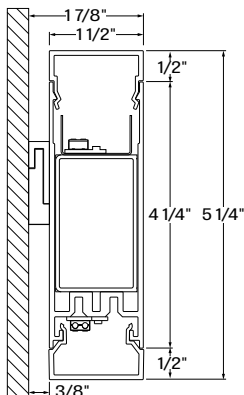


ORDER GUIDE

| FOR5WOI | | HLO | SW | | | |
|--|--|---|--------------------------------|--|---|--|
| LUMINAIRE ID | SIZE | OPTICS | LIGHT SOURCE | CRI | DIR/IND LUMEN PACKAGES | COLOR TEMP. |
| FOR5WOI - fortex 5 wall outward/inward light distribution | 18 - 18"x18" 33 - 3'x3' 44 - 4'x4' 14 - 1'x4' 34 - 3'x4' | HLO - High-Efficiency Lambertian Optic | SW - Static white | 80 - 80CRI 90 - 90CRI | 200 - min. ultra low output 200lm/ft 400 - max. low output 400lm/ft #### - other required lm/ft | 27 - 2700k 30 - 3000k 35 - 3500k 40 - 4000k |
| | | | 1 | DMB | | |
| VOLTAGE | DRIVER | ELECTRICAL | MOUNTING | FINISH | OPTIONS | |
| 120 - 120V 277 - 277V UNV - 120V-277V | D1 - 1% dimming 0-10V DA - Dali LDE1 - Lutron Hi-lume 1% Eco * 18"x18" is only available with dimming 0-10V | 1 - 1 circuit | DMB - drywall mounting bracket | W - matte white AL - aluminum CF# - custom finish specify RAL# | CU - custom | |

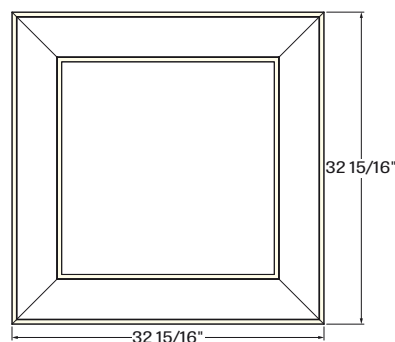
See page 2 for ordering code detailed information

SECTION VIEW



FOR5WOI

3D VIEW



FOR5WOI - 3'X3'

OPTICS



HLO - High-efficiency Lambertian Optic

FORTEX 5 LED

WALL

OUTWARD/INWARD LIGHT DISTRIBUTION

OPTICS

HIGH EFFICIENCY LAMBERTIAN OPTIC (HLO) - Matte white side reflectors combined with High-Efficiency Lambertian Optic (HLO) shielding of diffusing 0.075" thick acrylic with up to 88% transmission and good source obscuration. Luminaire brightness is controlled by the flux-to-shielding area ratio.

LIGHT SOURCE - LED

Custom linear array of mid-flux LED's are cartridge-mounted with quick-connect wiring to facilitate service and thermal management. Available in 3000K, 3500K and 4000K with a minimum 80 CRI and an option for 90 CRI with elevated R9 value. Color consistency maintained to within 3 SDCM. LEDs operated at reduced drive current to optimize efficacy and lumen maintenance.

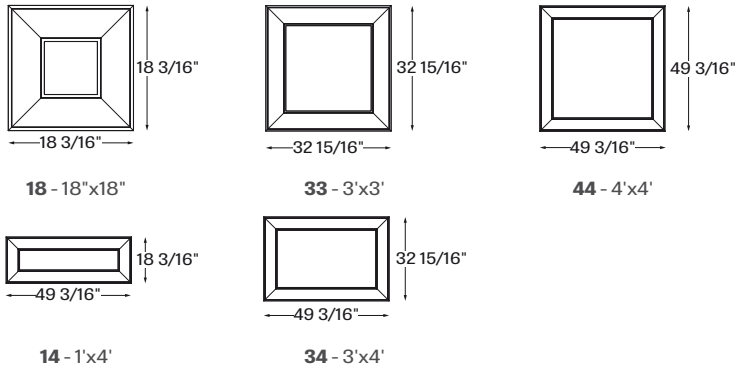
All LEDs have been tested in accordance with IESNA LM-80-08 and the results (following TM-21) have shown L80 lumen maintenance greater than 60,000 hours. Absolute luminaire photometry is measured and presented in accordance with IESNA LM-79, unless otherwise indicated.

PERFORMANCE PER 1' AT 4000K

| LED output | Color Temp | Watts | Nominal Delivered Lumens | Efficacy LPW |
|---------------|------------|-------|--------------------------|--------------|
| low output | 4000K | 2.5 | 200 | 88 |
| medium output | 4000K | 4 | 400 | 97 |

LUMINAIRE SIZE

FORTEX 5 is offered in 5 standard sizes.



ELECTRICAL

Factory-set, adjustable output current LED driver with universal (120-277VAC) input. Dimmable from 100% to 1% with 0-10V dimming control. Rated life (90% survivorship) of 50,000 hours at 50°C max. ambient (and 70°C max. case) temperature. At maximum driver load: Efficiency > 84%, PF > 0.9, THD < 20%. Other specifiable options include Lutron Hi-Lume 1% Eco and DALI protocol drivers. All of our standard 0-10V drivers are NEMA 410 compliant.

MOUNTING OPTIONS

Fixtures may be horizontally mounted directly to the wall.

FINISH

Interior - 95%, reflective matte powder coated white paint

Exterior - matte white or aluminum powder coating. Custom finishes are also available.

CONSTRUCTION

Housing - Extruded Aluminum (0.095" nominal) up to 90% Recycled Content

Interior brackets - Die formed cold rolled sheet steel 18 gauge thick

Reflectors - Cold rolled steel 0.024" thick precisely die formed, 95% reflective matte white painted

WEIGHT

Fortex 5 - 18 - 9.22lbs - 4.18kg

Fortex 5 - 33 - 18.26lbs - 8.28kg

Fortex 5 - 44 - 29.11lbs - 13.20kg

Fortex 5 - 14 - 18.67lbs - 8.47kg

Fortex 5 - 34 - 22.63lbs - 10.26kg

CERTIFICATIONS

ETL - Rated for Indoor Dry/Damp locations.

Conforms to UL Standard 1598 and certified to CAN/CSA Standard C22.2 No. 250.0.

WARRANTY

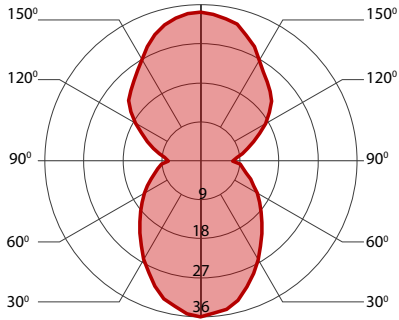
LumenWerx provides a five-year limited warranty of electrical and mechanical performance of the luminaires, including the LED boards, drivers, and auxiliary electronics. LumenWerx will repair or replace defective luminaires or components at our discretion, provided they have been installed and operated in accordance with our specifications. Other limitations apply, please refer to the full warranty on our website.

FORTEX 5 LED

WALL

OUTWARD/INWARD LIGHT DISTRIBUTION

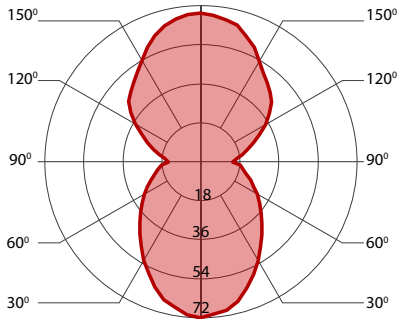
200 LUMEN AT 80CRI - ULTRA LOW OUTPUT



PERFORMANCE PER 1'

| LED output | Color Temp | Watts | Nominal Delivered Lumens | Efficacy LPW |
|------------------|------------|-------|--------------------------|--------------|
| ultra low output | 3000K | 2.5 | 200 | 83 |
| ultra low output | 3500K | 2.5 | 200 | 85 |
| ultra low output | 4000K | 2.5 | 200 | 88 |

400 LUMEN AT 80CRI - LOW OUTPUT



PERFORMANCE PER 1'

| LED output | Color Temp | Watts | Nominal Delivered Lumens | Efficacy LPW |
|------------|------------|-------|--------------------------|--------------|
| low output | 3000K | 4.5 | 400 | 91 |
| low output | 3500K | 4.5 | 400 | 94 |
| low output | 4000K | 4 | 400 | 97 |