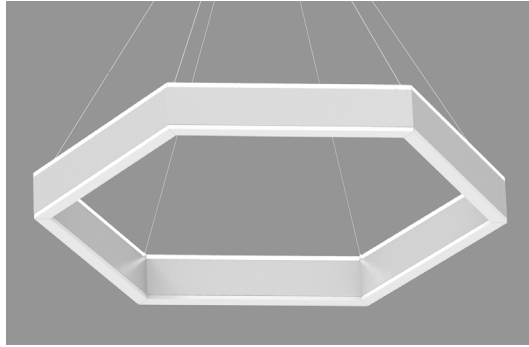


FORTEX 6 LED

PENDANT

DIRECT/INDIRECT



PROJECT: _____

TYPE: _____

NOTES: _____

DESCRIPTION

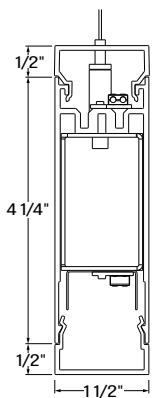
Fortex 6 is a distinctive and elegantly scaled hexagonal pendant, ideal for spaces such as conference rooms, executive offices, break rooms, cafeterias, vestibules and lobbies, especially where multiple pendants will be used. Fortex 6 consists of crisp 4.25" x 1.5" extruded aluminum sides, capped top and bottom by a gently glowing optic that extends 0.5" beyond the housing. Corners are mitered and fully luminous. Fortex coordinates with Via 1.5 Plus linear luminaires.

ORDER GUIDE

FOR6PDI		HLO	SW				
LUMINAIRE ID	SIZE	OPTICS	LIGHT SOURCE	CRI	DIR/IND LUMEN PACKAGES	COLOR TEMP.	VOLTAGE
FOR6PDI - fortex 6 pendant direct/indirect	50DI - 50" diameter	HLO - High-Efficiency Lambertian Optic	SW - Static white	80 - 80CRI 90 - 90CRI	200 - min. ultra low output 200lm/ft 400 - low output 400lm/ft 500 - medium output 500lm/ft 750 - max. high output 750lm/ft #### - other required lm/ft	27 - 2700k 30 - 3000k 35 - 3500k 40 - 4000k	120 - 120V 277 - 277V UNV - 120V-277V
	1						
DRIVER	ELECTRICAL	MOUNTING	FINISH	OPTIONS			
D1 - 1% dimming 0-10V DA - Dali LDE1 - Lutron Hi-lume 1% Eco	1 - 1 circuit	5WAC## - 5" canopy - minimum height 39" For all other options refer to our Pendant Mounting Guide	W - matte white AL - aluminum CF# - custom finish specify RAL#	CU - custom			

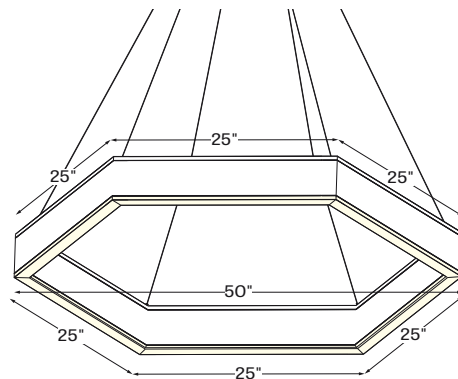
See page 2 for ordering code detailed information

SECTION VIEW



FOR6PDI

3D VIEW



FOR6PDI - 50"

OPTICS



HLO - High-efficiency Lambertian Optic

FORTEX 6 LED

PENDANT

DIRECT/INDIRECT

OPTICS

HIGH EFFICIENCY LAMBERTIAN OPTIC (HLO) - Matte white side reflectors combined with High-Efficiency Lambertian Optic (HLO) shielding of diffusing 0.075" thick acrylic with up to 88% transmission and good source obscuration. Luminaire brightness is controlled by the flux-to-shielding area ratio.

LIGHT SOURCE - LED

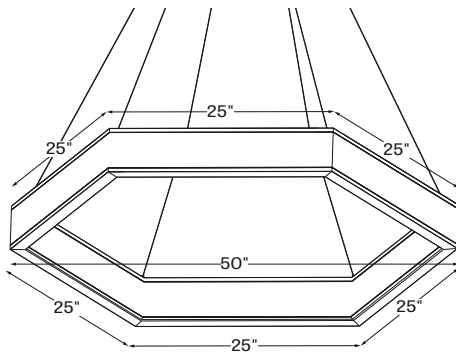
Custom linear array of mid-flux LED's are cartridge-mounted with quick-connect wiring to facilitate service and thermal management. Available in 3000K, 3500K and 4000K with a minimum 80 CRI and an option for 90 CRI with elevated R9 value. Color consistency maintained to within 3 SDCM. LEDs operated at reduced drive current to optimize efficacy and lumen maintenance. All LEDs have been tested in accordance with IESNA LM-80-08 and the results (following TM-21) have shown L80 lumen maintenance greater than 60,000 hours. Absolute luminaire photometry is measured and presented in accordance with IESNA LM-79, unless otherwise indicated.

PERFORMANCE PER 1' AT 4000K

LED output	Color Temp	Watts	Nominal Delivered Lumens	Efficacy LPW
ultra low output	4000K	2.5	200	88
low output	4000K	4	400	97
medium output	4000K	5.5	500	94
high output	4000K	8	750	95

LUMINAIRE LENGTH

FORTEX 6 is offered in 1 standard size.



ELECTRICAL

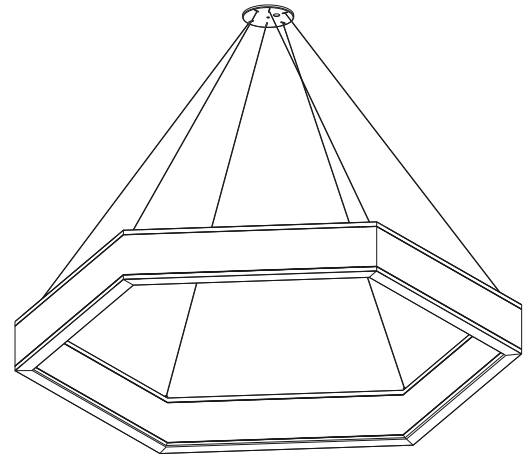
Factory-set, adjustable output current LED driver with universal (120-277VAC) input. Dimmable from 100% to 1% with 0-10V dimming control. Rated life (90% survivorship) of 50,000 hours at 50°C max. ambient (and 70°C max. case) temperature. At maximum driver load: Efficiency > 84%, PF > 0.9, THD < 20%. Other specifiable options include Lutron Hi-Lume 1% Eco and DALI protocol drivers. All of our standard 0-10V drivers are NEMA 410 compliant.

MOUNTING OPTIONS

Fortex 6 mounts from a 5" round canopy using six 45" long aircraft cables, which is the minimum cable length for this fixture. Canopy installation determines luminaire alignment.

For cable-mounted fixtures - 5AC50# - 5" canopy - minimum height 39"

[For all other options, see our website for a detailed Pendant Mounting Guide](#)



FINISH

Interior - 95%, reflective matte powder coated white paint

Exterior - matte white or aluminum powder coating. Custom finishes are also available.

CONSTRUCTION

Housing - Extruded Aluminum (0.095" nominal) up to 90% Recycled Content

Interior brackets - Die formed cold rolled sheet steel 18 gauge thick

Reflectors - Cold rolled steel 0.024" thick precisely die formed, 95% reflective matte white painted

Hanger - Chromed Griplock securely attached with spring steel hardware in end caps and/or joiners

Air craft cable suspension - 7x7 braids Aluminum air craft cable 0.06" thick

WEIGHT

Fortex 6 - 50 - 26.14lbs - 11.86kg

CERTIFICATIONS

ETL - Rated for Indoor Dry/Damp locations.

Conforms to UL Standard 1598 and certified to CAN/CSA Standard C22.2 No. 250.0.

FORTEX 6 LED

PENDANT

DIRECT/INDIRECT

WARRANTY

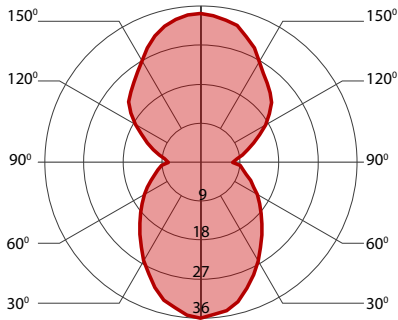
LumenWerx provides a five-year limited warranty of electrical and mechanical performance of the luminaires, including the LED boards, drivers, and auxiliary electronics. LumenWerx will repair or replace defective luminaires or components at our discretion, provided they have been installed and operated in accordance with our specifications. Other limitations apply, please refer to the full warranty on our website.

FORTEX 6 LED

PENDANT

DIRECT/INDIRECT

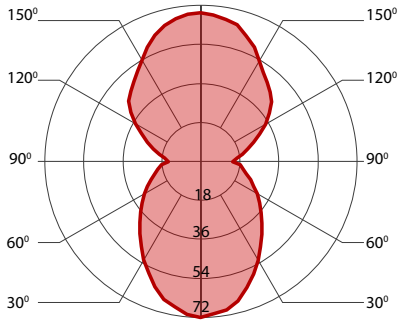
200 LUMEN AT 80CRI - ULTRA LOW OUTPUT



PERFORMANCE PER 1'

LED output	Color Temp	Watts	Nominal Delivered Lumens	Efficacy LPW
ultra low output	3000K	2.5	200	83
ultra low output	3500K	2.5	200	85
ultra low output	4000K	2.5	200	88

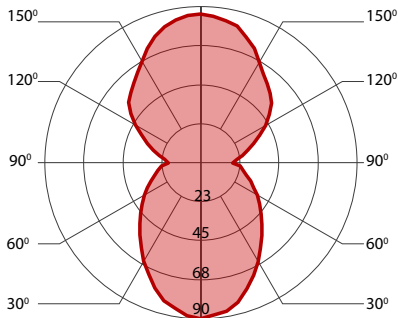
400 LUMEN AT 80CRI - LOW OUTPUT



PERFORMANCE PER 1'

LED output	Color Temp	Watts	Nominal Delivered Lumens	Efficacy LPW
low output	3000K	4.5	400	91
low output	3500K	4.5	400	94
low output	4000K	4	400	97

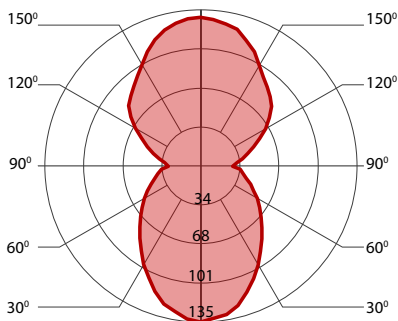
500 LUMEN AT 80CRI - MEDIUM OUTPUT



PERFORMANCE PER 1'

LED output	Color Temp	Watts	Nominal Delivered Lumens	Efficacy LPW
medium output	3000K	5.5	500	88
medium output	3500K	5.5	500	91
medium output	4000K	5.5	500	94

750 LUMEN AT 80CRI - HIGH OUTPUT



PERFORMANCE PER 1'

LED output	Color Temp	Watts	Nominal Delivered Lumens	Efficacy LPW
high output	3000K	8.5	750	89
high output	3500K	8	750	92
high output	4000K	8	750	95