

### INSTALLATION INSTRUCTIONS

This product must be installed in accordance with the National Electrical Code and all applicable local codes, by a person familiar with the construction and operation of the product, and the hazards involved. Proper grounding is required for safety.

Ce produit doit être installé suivant le code national de l'électricité, ainsi que tous les codes locaux applicables, par une personne familière avec la construction et le fonctionnement du produit, ainsi que tous les risques qui y sont associés. La mise à terre électrique est obligatoire pour la sécurité.

Disconnect power before installation or servicing.

Do not cover the light element lens or heatsink with any materials or adhesive tapes when the fixture is powered.

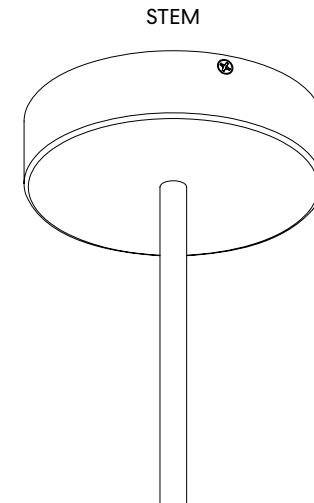
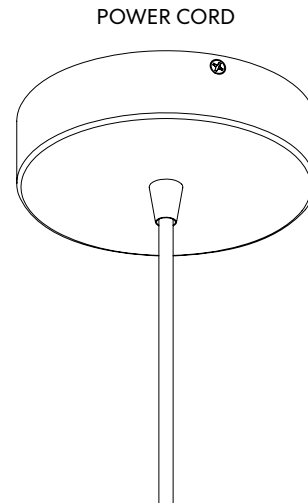
Wire dimming conductors as Class 1.

A luminaire with more than one power supply connection means shall be connected to only one branch circuit.

For electrical connections, please refer to the [wiring diagram guide](#).



For remote driver box installation instructions, please refer to the [remote driver installation sheet](#).

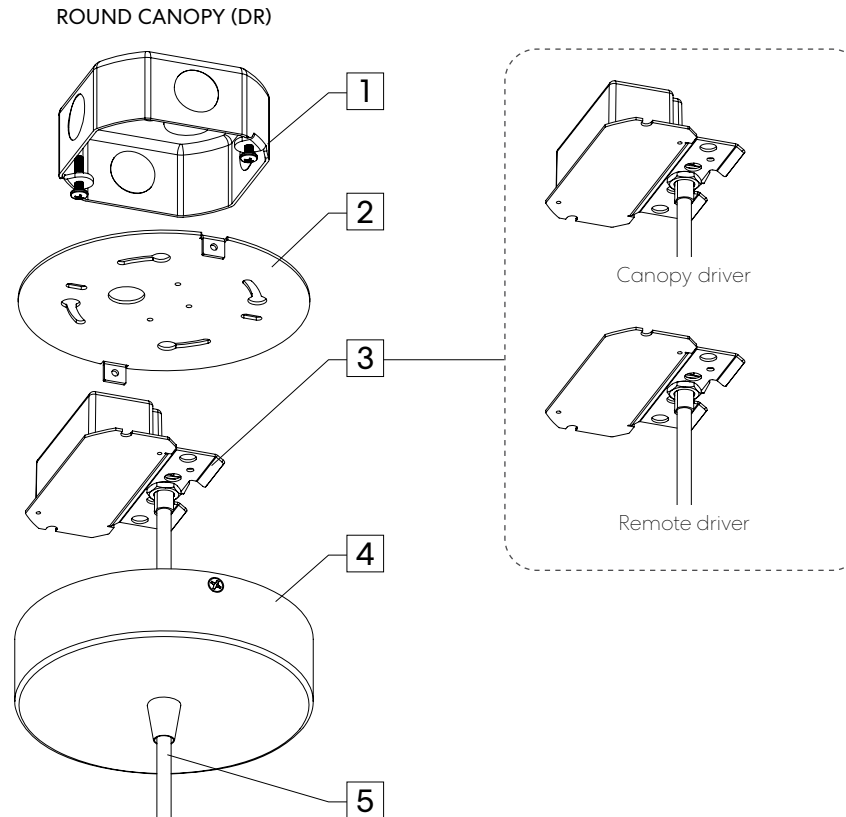


Go to the section specific to your suspension option.

#### INDEX

Power cord.....	<a href="#">P.2</a>
Stem.....	<a href="#">P.8</a>

### POWER CORD



#### ITEMS LIST


1	Standard J-box (by others)
2	Mounting plate
3	Driver bracket
4	Deep canopy
5	Power cord

#### TOOLS REQUIRED

- Flat head screwdriver
- Phillips screwdriver
- Power cord cutter (as required)
- Wire stripper (as required)

#### CANOPY SIZE

<b>ROUND</b>	Ø 5 5/8" Height 1 3/8"
--------------	---------------------------

 Instructions are shown with canopy driver. Applicable to remote driver.

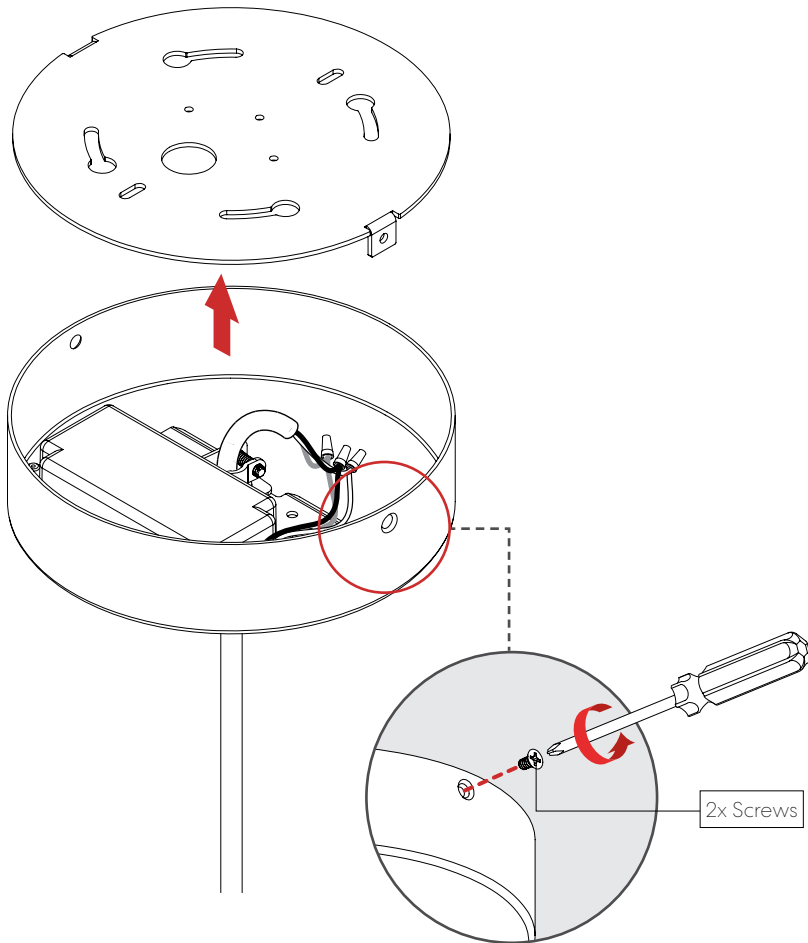
# GLOBE

## Pendant - Deep Canopy



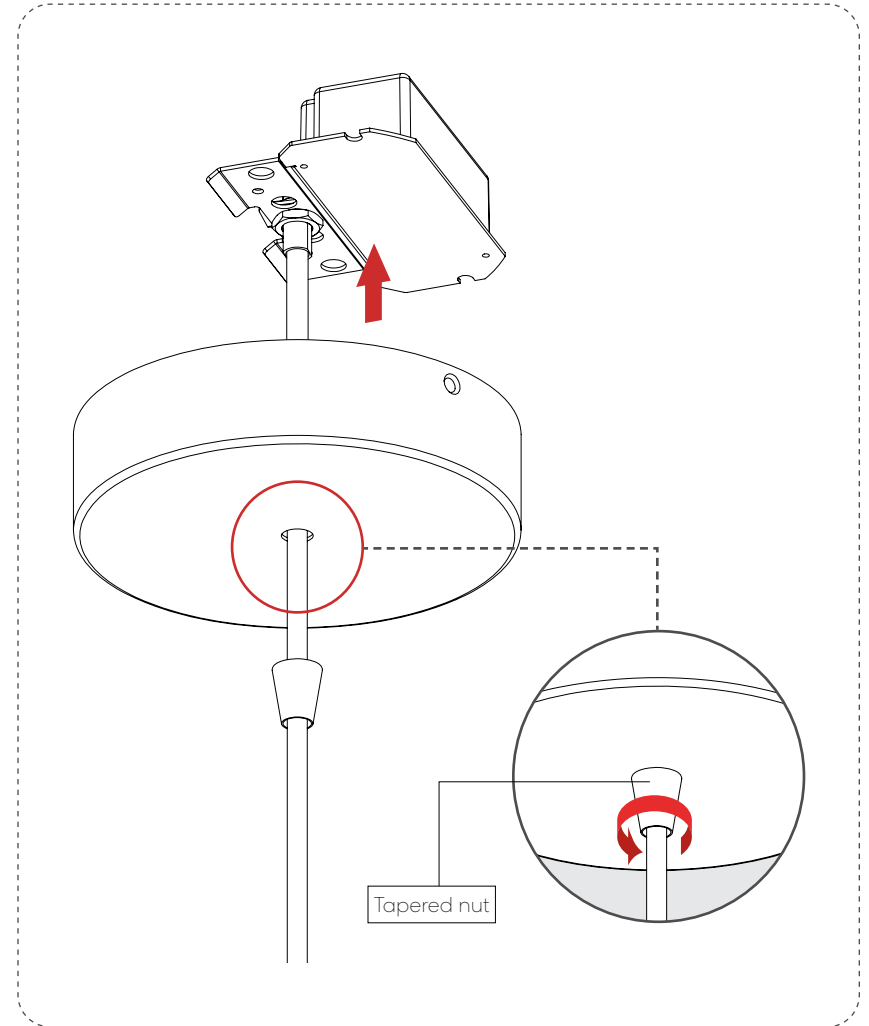
### POWER CORD

#### 1 DETACH MOUNTING PLATE.



#### 2 ADJUST POWER CORD LENGTH. **OPTIONAL**

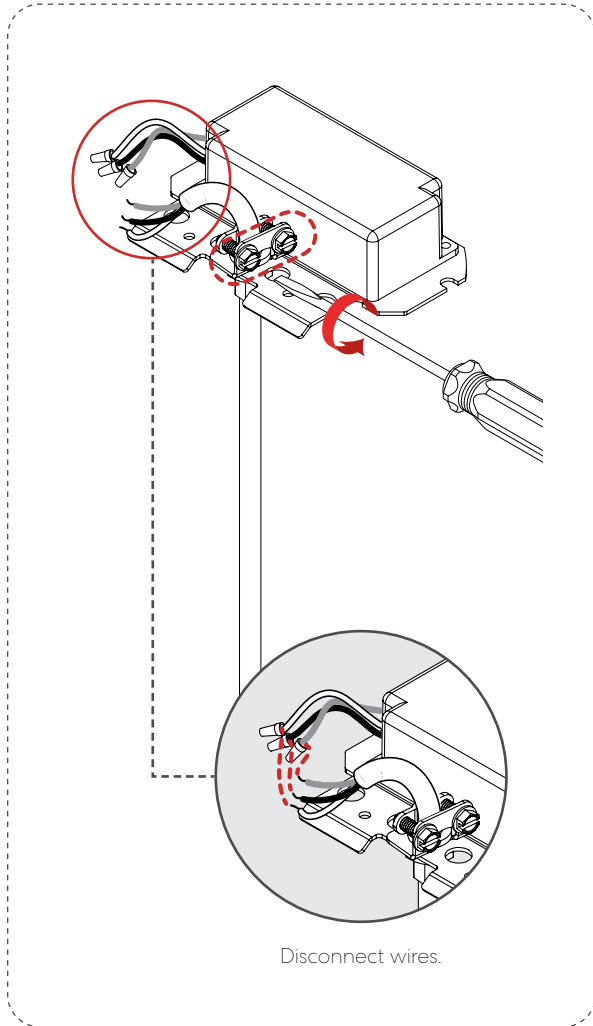
##### 2-1 Detach the driver bracket.



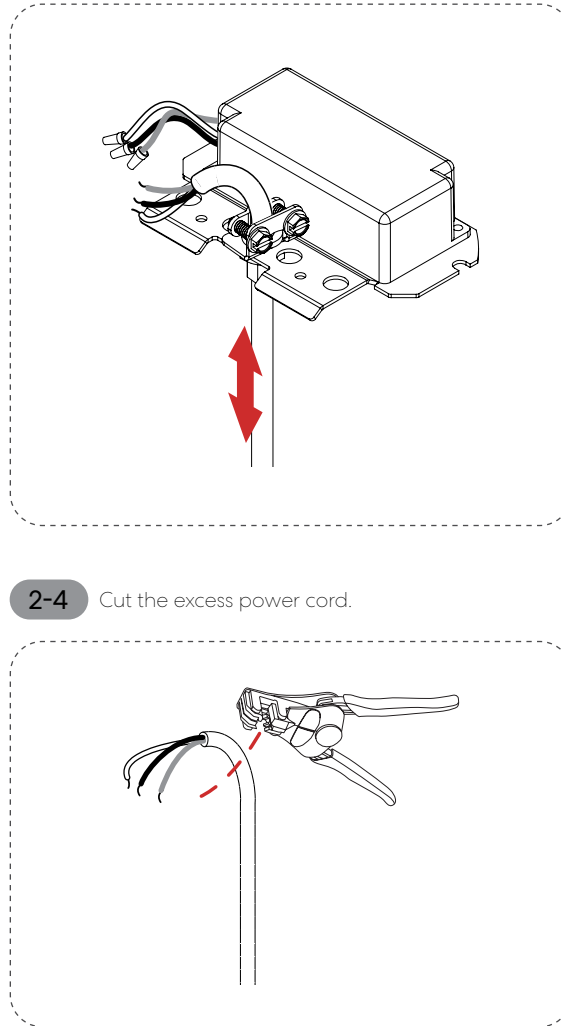
### POWER CORD

#### 2 ADJUST POWER CORD LENGTH. OPTIONAL

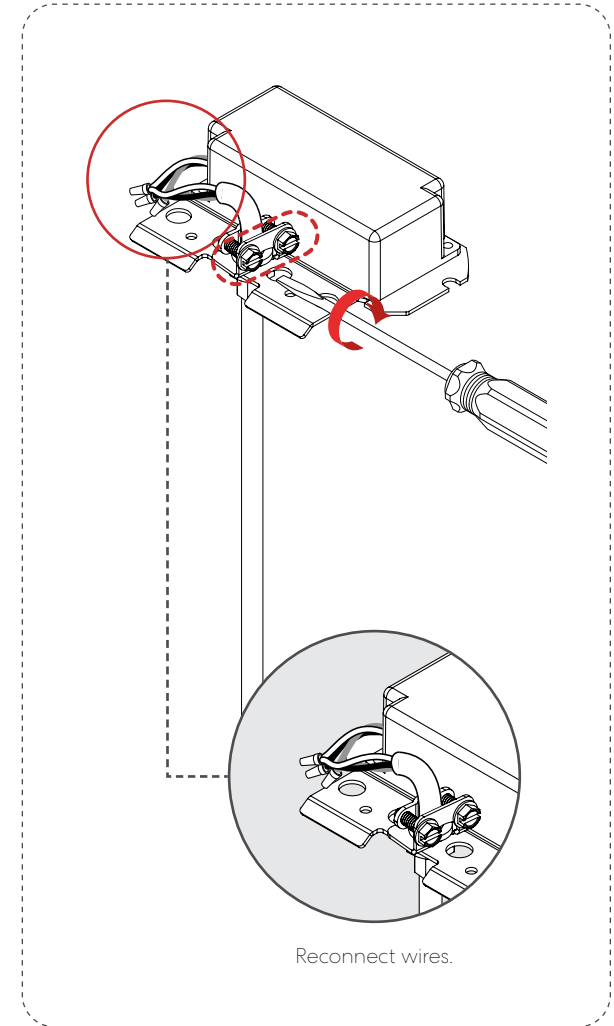
2-2 Untighten the cable holder.



2-3 Adjust power cord length.



2-5 Tighten the cable holder.



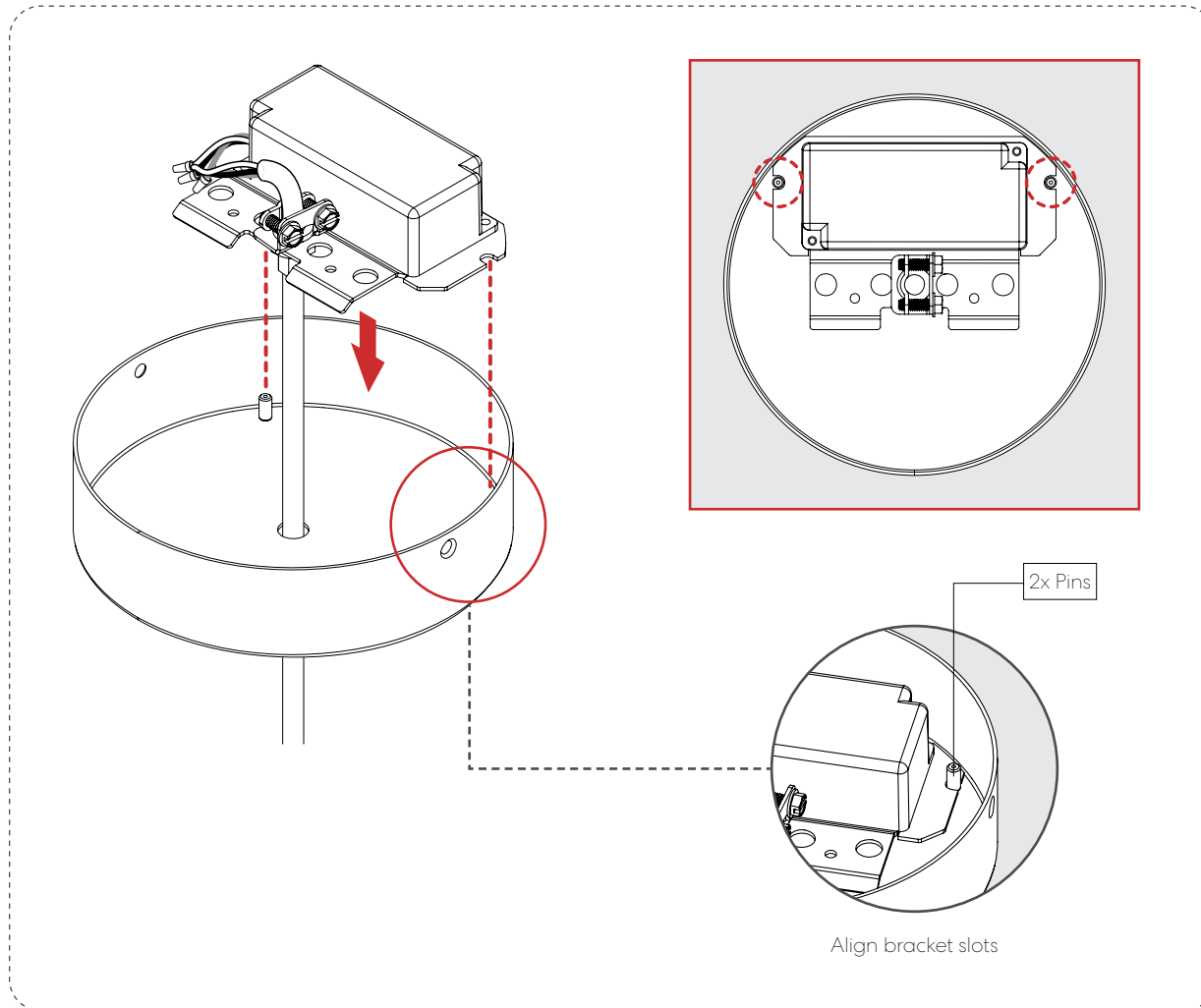
# GLOBE

## Pendant - Deep Canopy

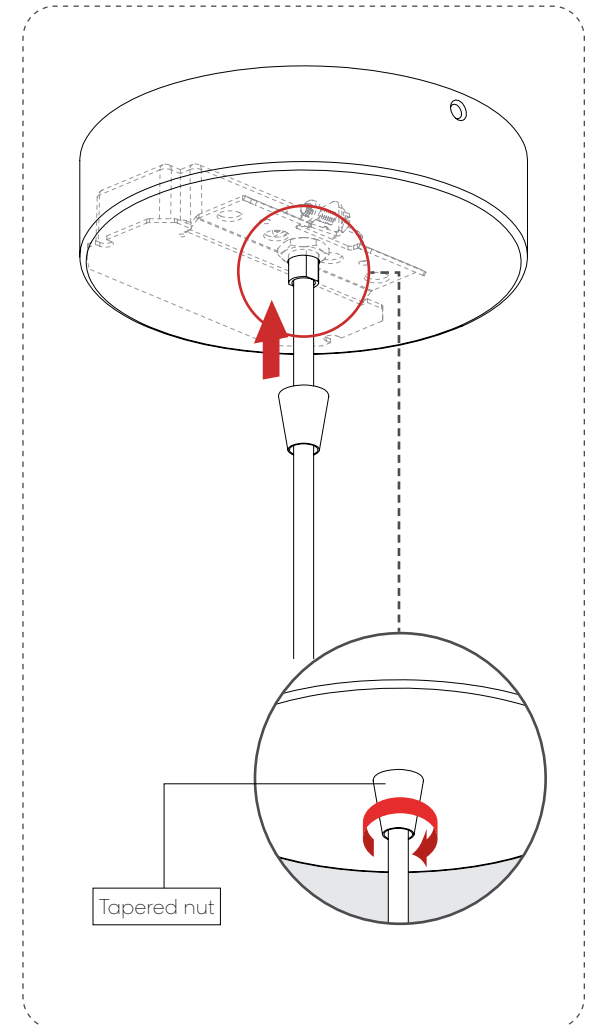
### POWER CORD

#### 2 ADJUST POWER CORD LENGTH. **OPTIONAL**

2-6 Place the driver bracket.



2-7 Reattach the driver bracket.



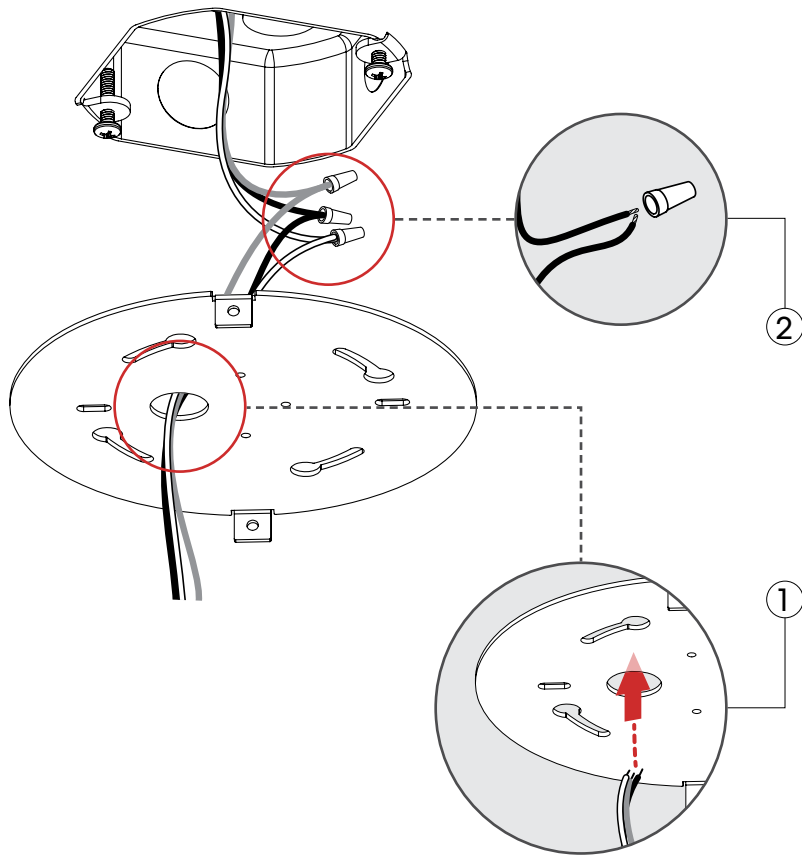
# GLOBE

## Pendant - Deep Canopy



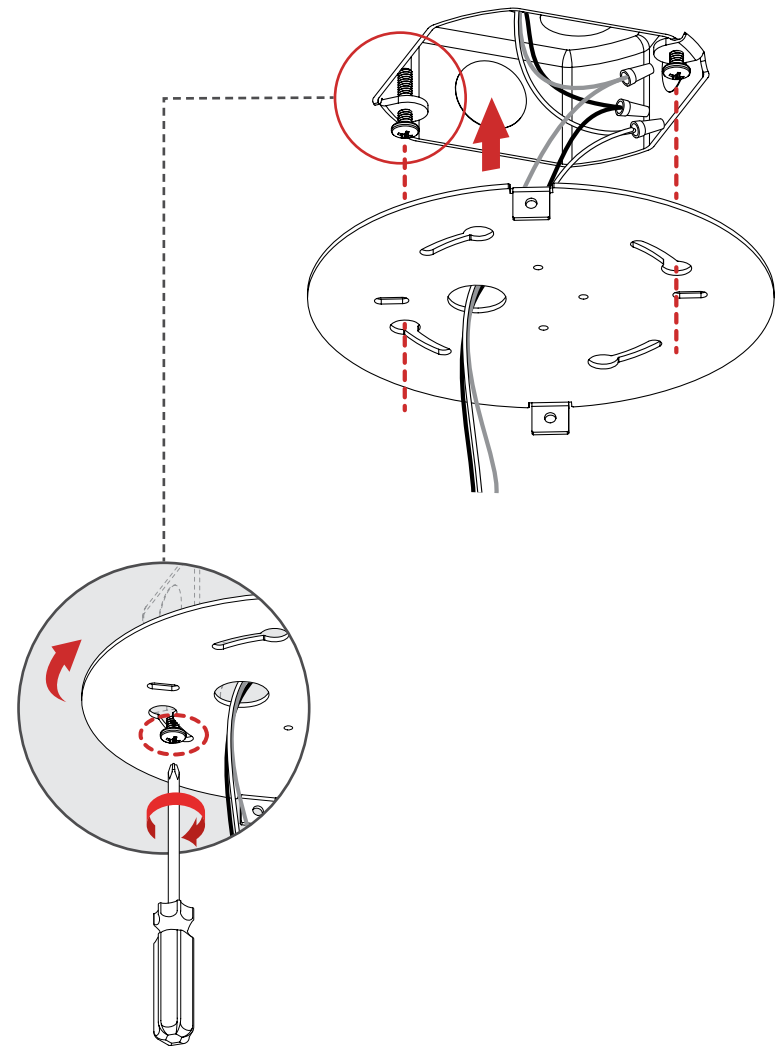
### POWER CORD

#### 3 MAKE ELECTRICAL CONNECTIONS.



**Note:** Number of wires may vary.

#### 4 FIX MOUNTING PLATE.

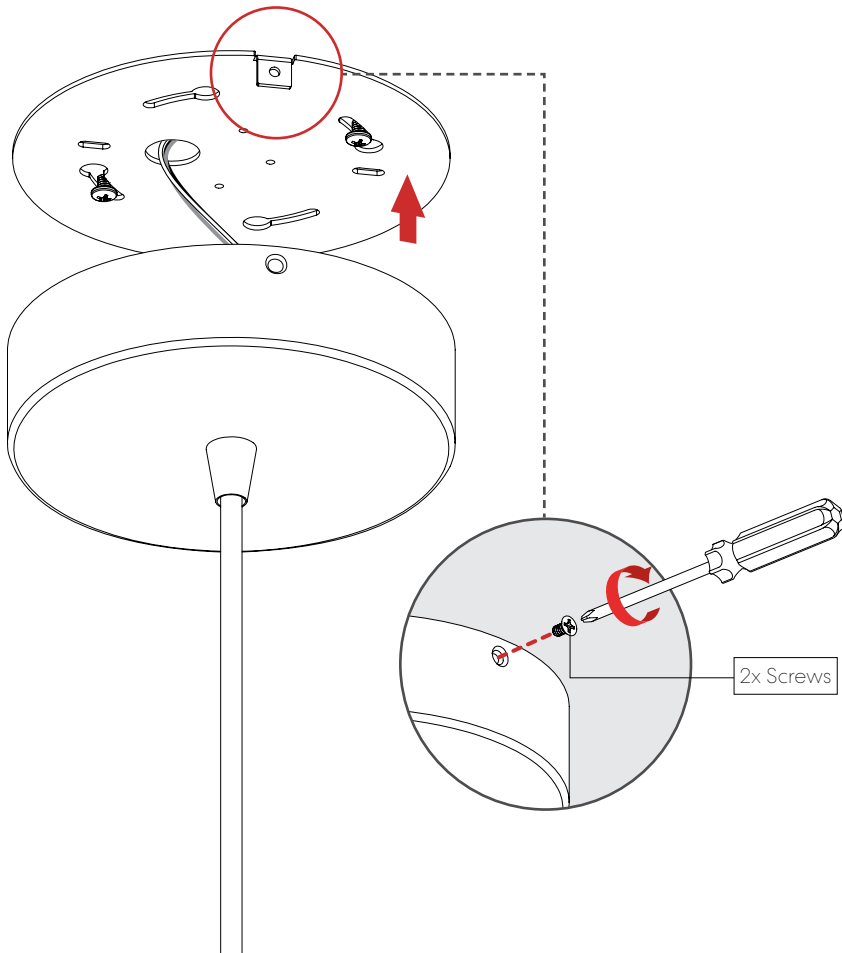


# GLOBE

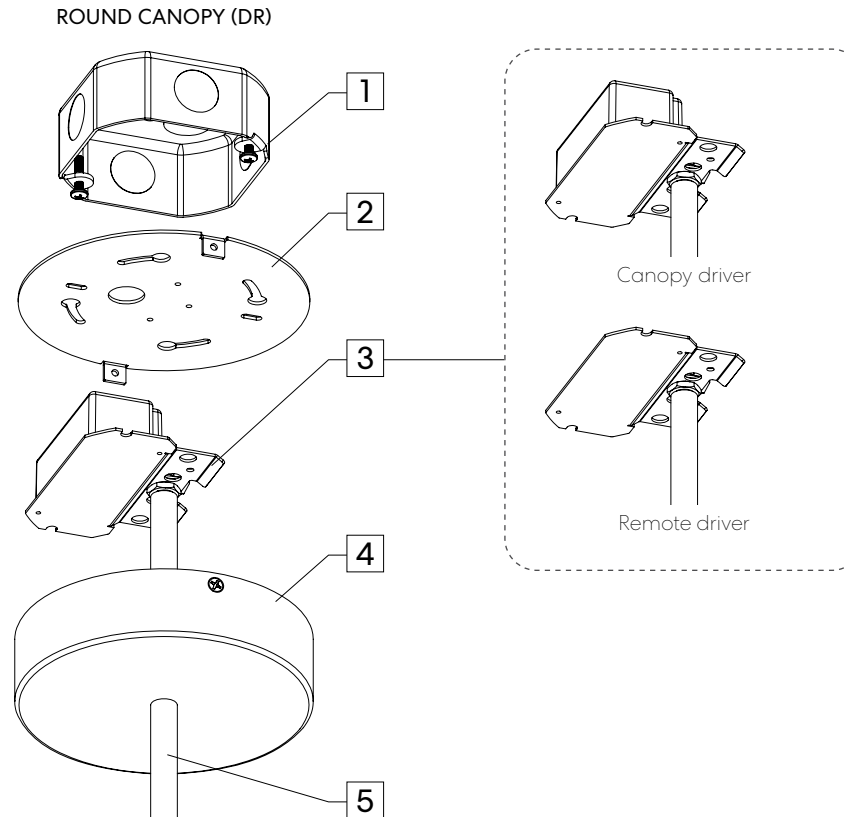
## Pendant - Deep Canopy

### POWER CORD

#### 5 MOUNT CANOPY.



### STEM



#### ITEMS LIST


1	Standard J-box (by others)
2	Mounting plate
3	Driver bracket
4	Deep canopy
5	Stem

#### TOOLS REQUIRED

- Phillips screwdriver
------------------------

#### CANOPY SIZE

<b>ROUND</b>	Ø 5 5/8" Height 1 3/8"
--------------	---------------------------

 Instructions are shown with canopy driver. Applicable to remote driver.

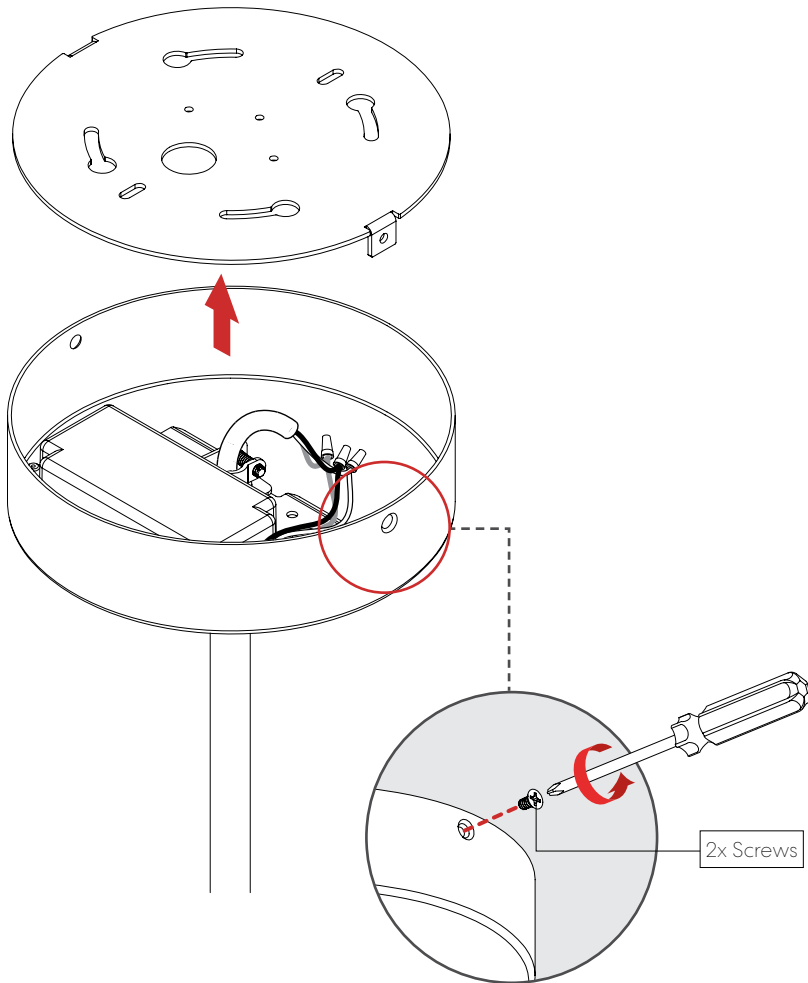
# GLOBE

## Pendant - Deep Canopy

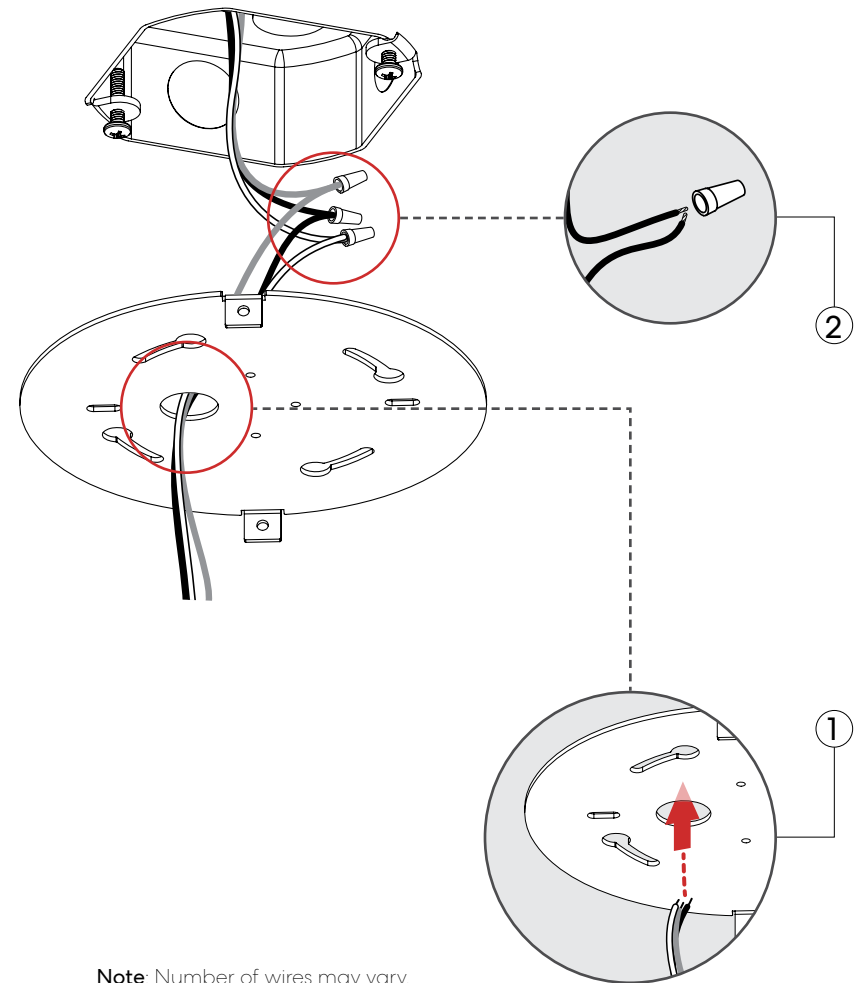


### STEM

#### 1 DETACH MOUNTING PLATE.



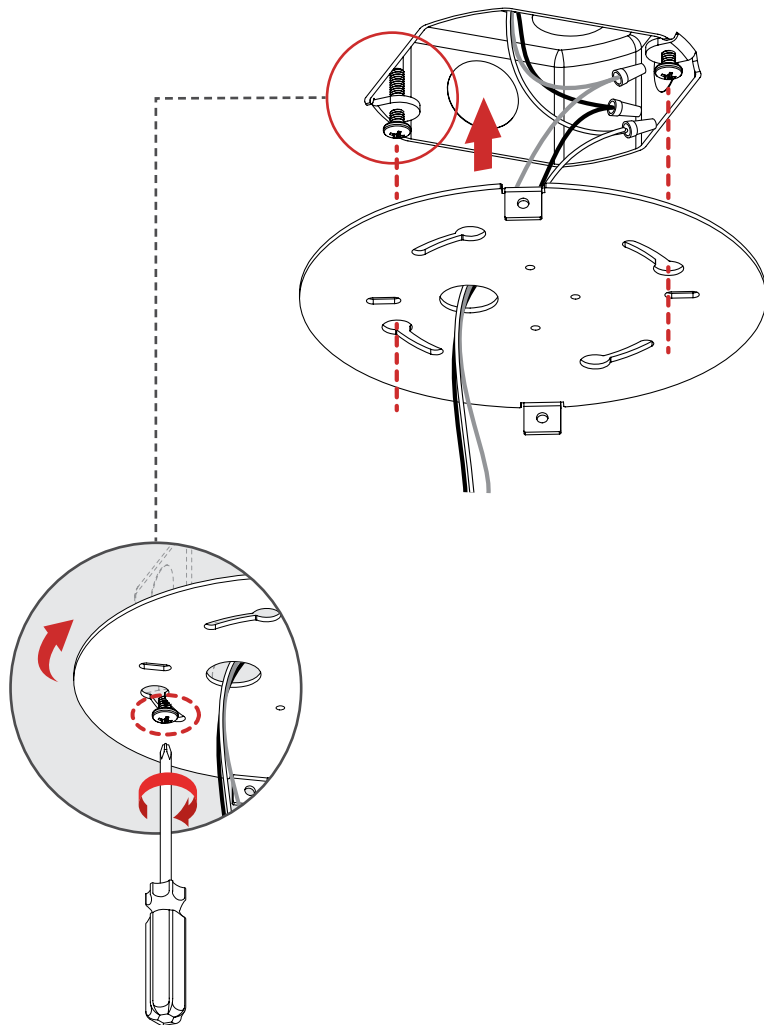
#### 2 MAKE ELECTRICAL CONNECTIONS.



**Note:** Number of wires may vary.

### STEM

#### 3 FIX MOUNTING PLATE.



#### 4 MOUNT CANOPY.

