

### INSTALLATION INSTRUCTIONS

This product must be installed in accordance with the National Electrical Code and all applicable local codes, by a person familiar with the construction and operation of the product, and the hazards involved. Proper grounding is required for safety.

Ce produit doit être installé suivant le code national de l'électricité, ainsi que tous les codes locaux applicables, par une personne familière avec la construction et le fonctionnement du produit, ainsi que tous les risques qui y sont associés. La mise à terre électrique est obligatoire pour la sécurité.

Disconnect power before installation or servicing.

Do not cover the light element lens or heatsink with any materials or adhesive tapes when the fixture is powered.

Wire dimming conductors as Class 1.

A luminaire with more than one power supply connection means shall be connected to only one branch circuit.

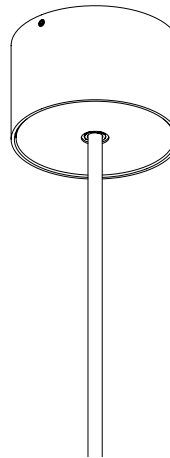
For electrical connections, please refer to the [wiring diagram guide](#).



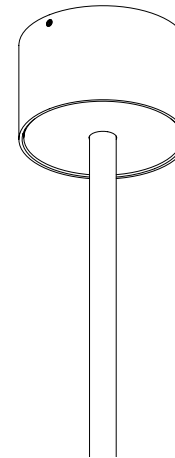
For remote driver box installation instructions, please refer to the [remote driver installation sheet](#).



POWER CORD



STEM



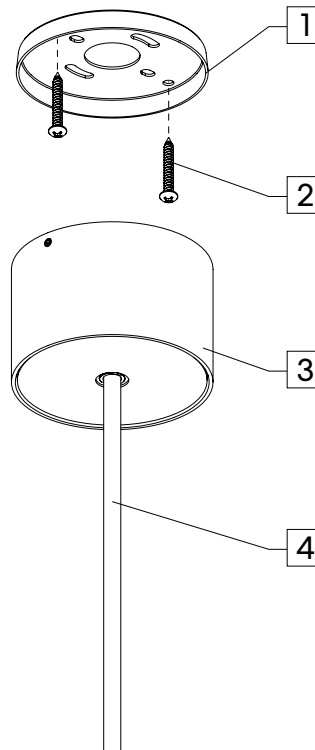
Go to the section specific to your suspension option.

#### INDEX

Power cord.....	<a href="#">P2</a>
Stem.....	<a href="#">P7</a>

## POWER CORD

### DIRECT MOUNT (DMRM)



#### ITEMS LIST

1	Adapter piece
2	6-32 screw (by others)
3	Canopy assembly
4	Power cord

#### TOOLS REQUIRED

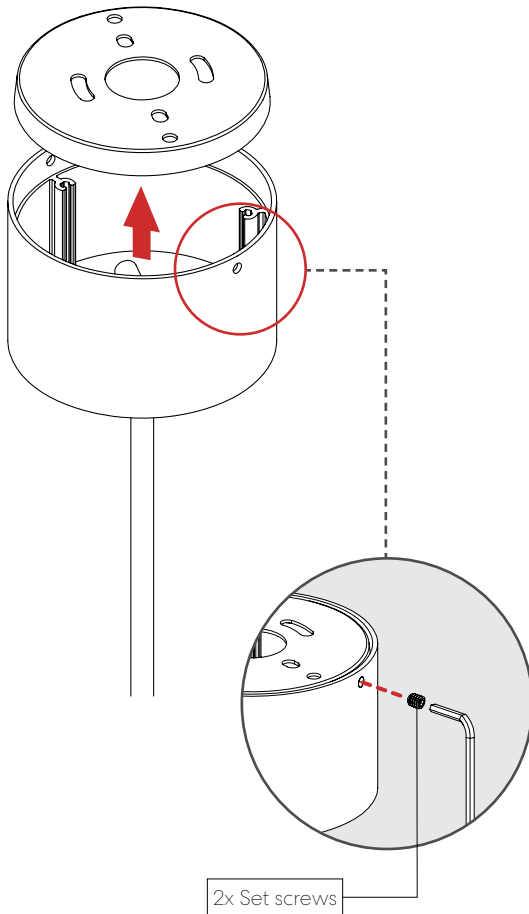
- Phillips screwdriver
- Power cord cutter (as required)
- Wire stripper (as required)
- Allen key 5/64
- Adjustable hole cutter

#### CANOPY SIZE

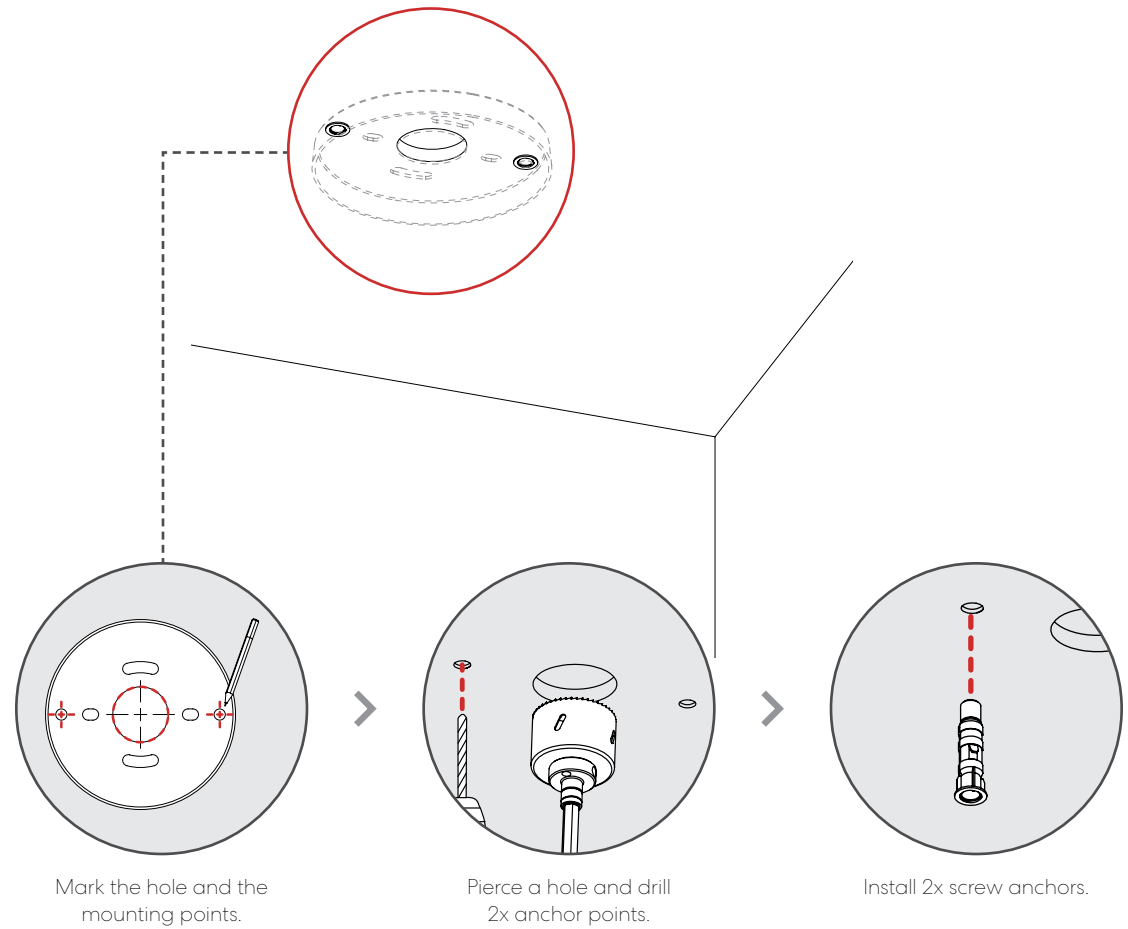
Ø 3 1/8", Height 2"

### POWER CORD

#### 1 DETACH ADAPTER PIECE.

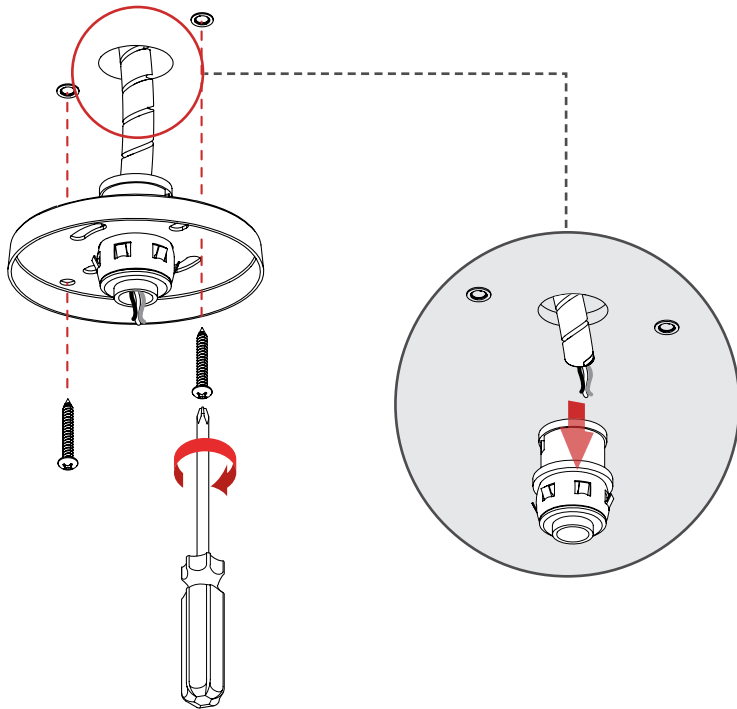


#### 2 PREPARE CEILING.



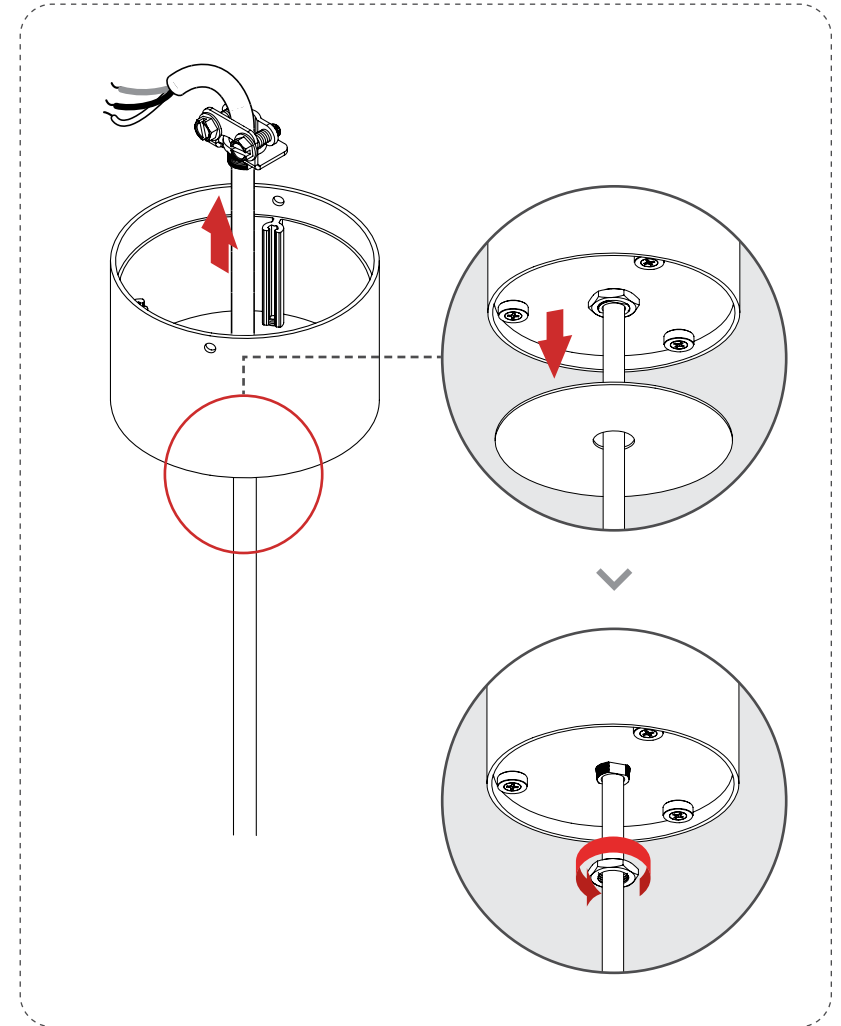
### POWER CORD

#### 3 INSTALL ADAPTER PIECE TO CEILING.



#### 4 ADJUST POWER CORD LENGTH. OPTIONAL

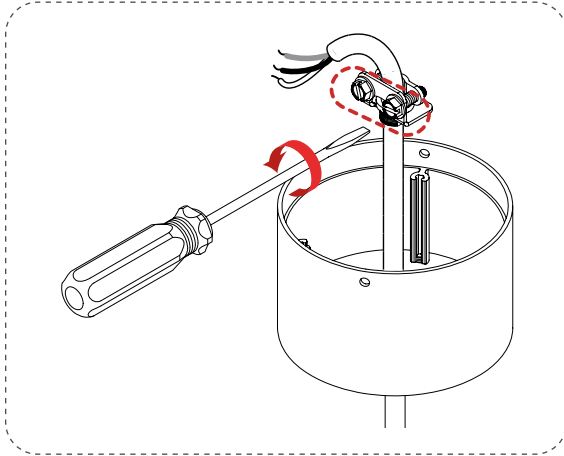
##### 4-1 Detach the cable holder.



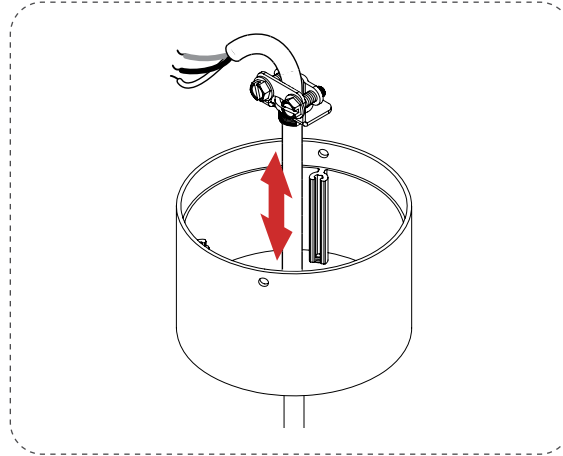
### POWER CORD

#### 4 ADJUST POWER CORD LENGTH. OPTIONAL

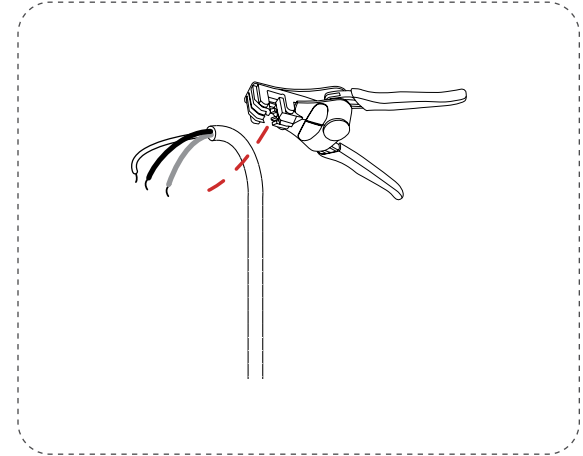
4-2 Untighten the cable holder.



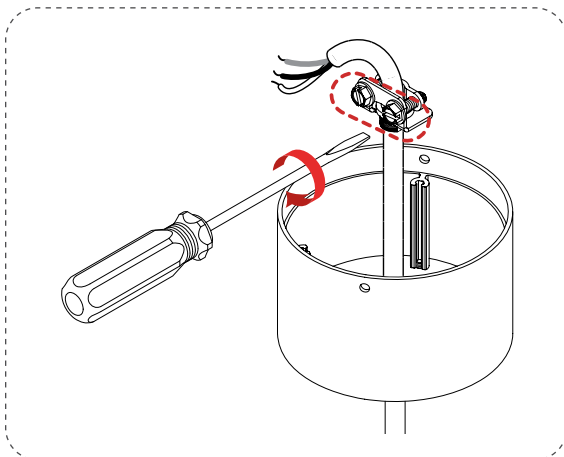
4-3 Adjust power cord length.



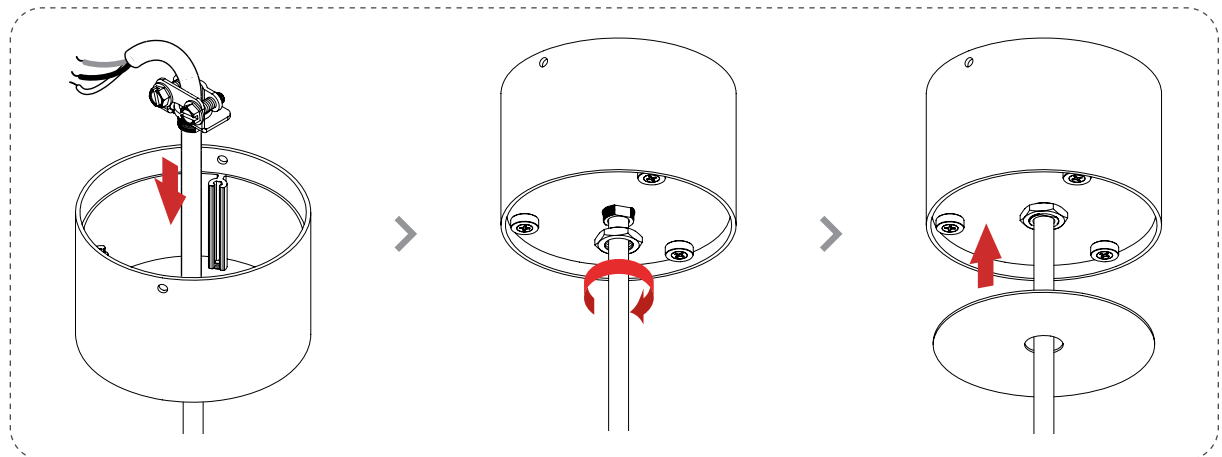
4-4 Cut the excess power cord.



4-5 Tighten the cable holder.

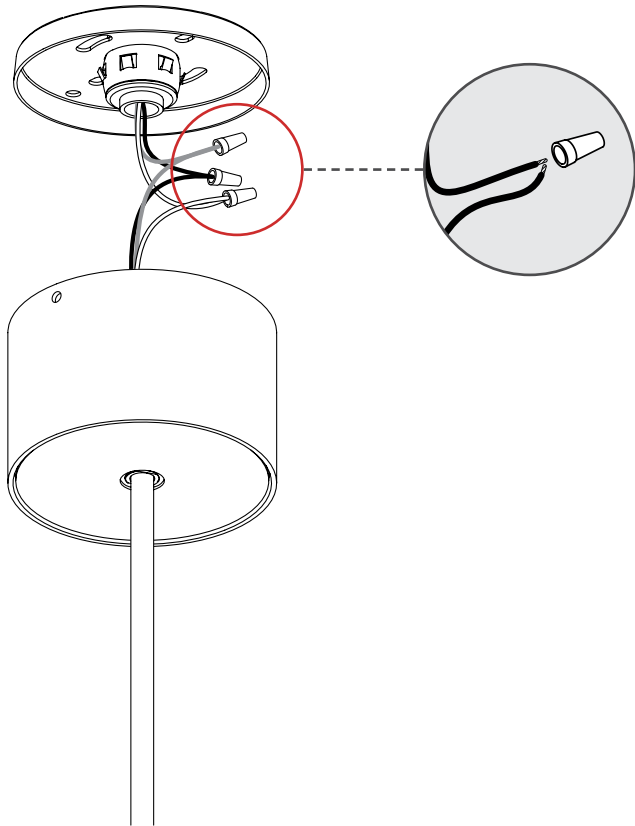


4-6 Attach the cable holder.



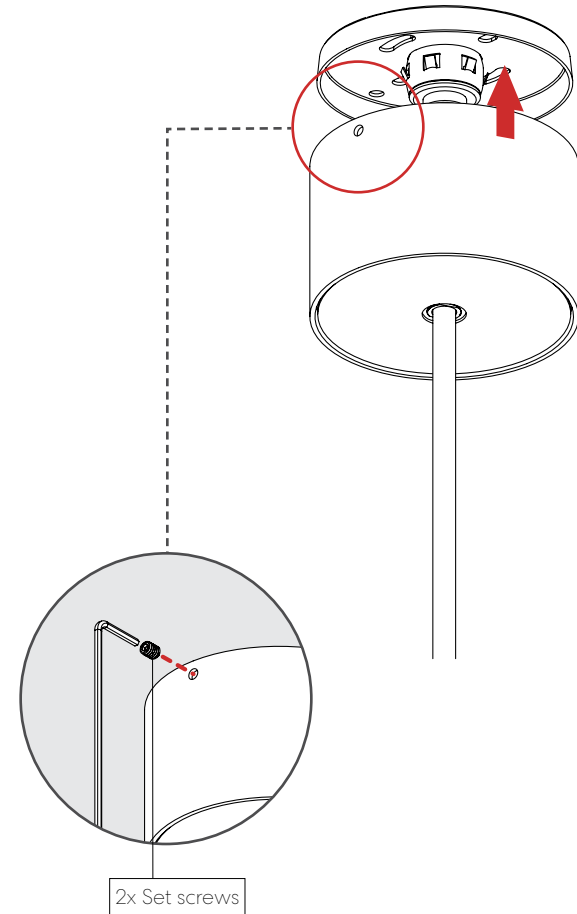
### POWER CORD

#### 5 MAKE ELECTRICAL CONNECTIONS.



**Note:** Number of wires may vary.

#### 6 INSTALL HOUSING ASSEMBLY.

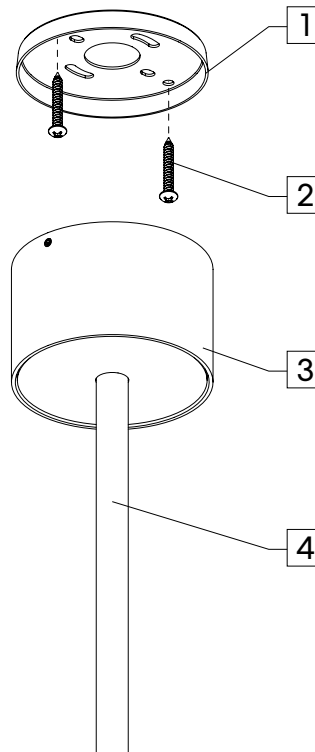


2x Set screws

### STEM

---

#### DIRECT MOUNT (DMRM)



#### ITEMS LIST

1	Adapter piece
2	6-32 screw (by others)
3	Canopy assembly
4	Stem

#### TOOLS REQUIRED

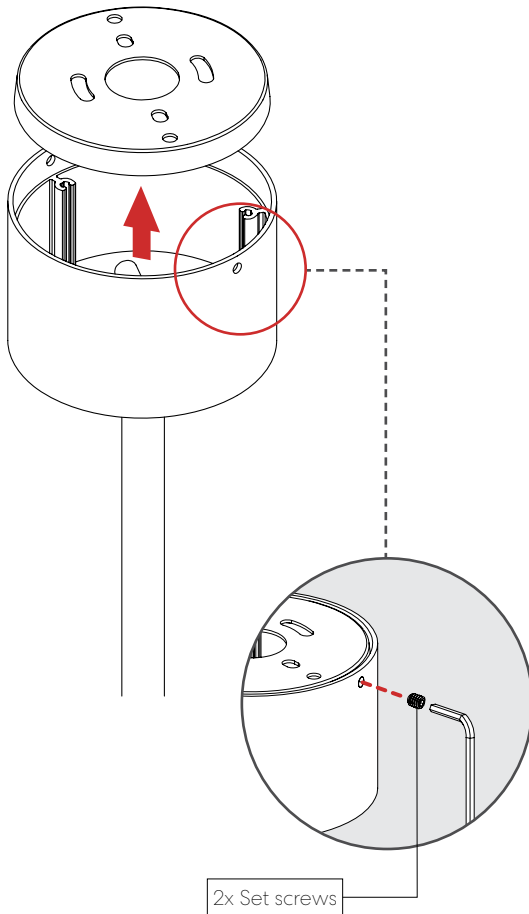
- Phillips screwdriver
- Allen key 5/64
- Adjustable hole cutter

#### CANOPY SIZE

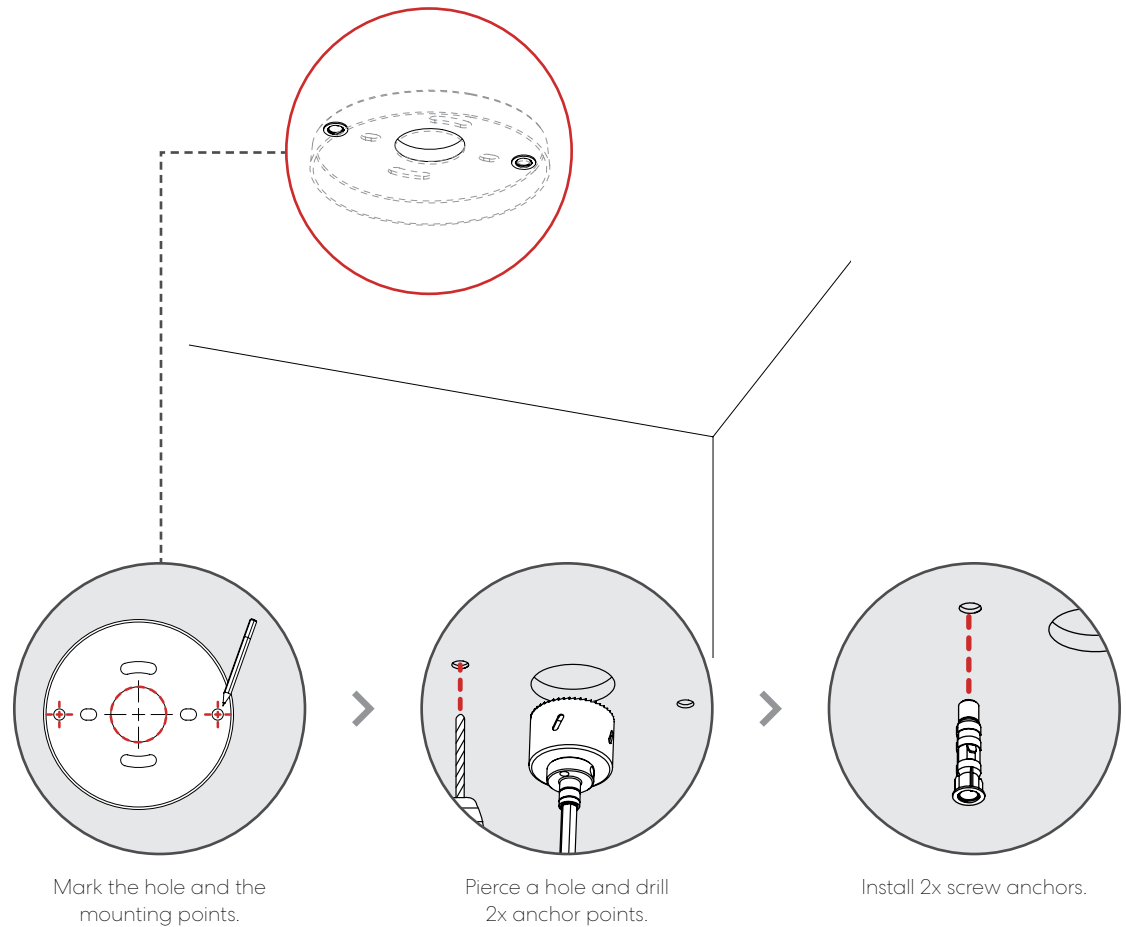
Ø 3 1/8", Height 2"
---------------------

### STEM

#### 1 DETACH ADAPTER PIECE.



#### 2 PREPARE CEILING.



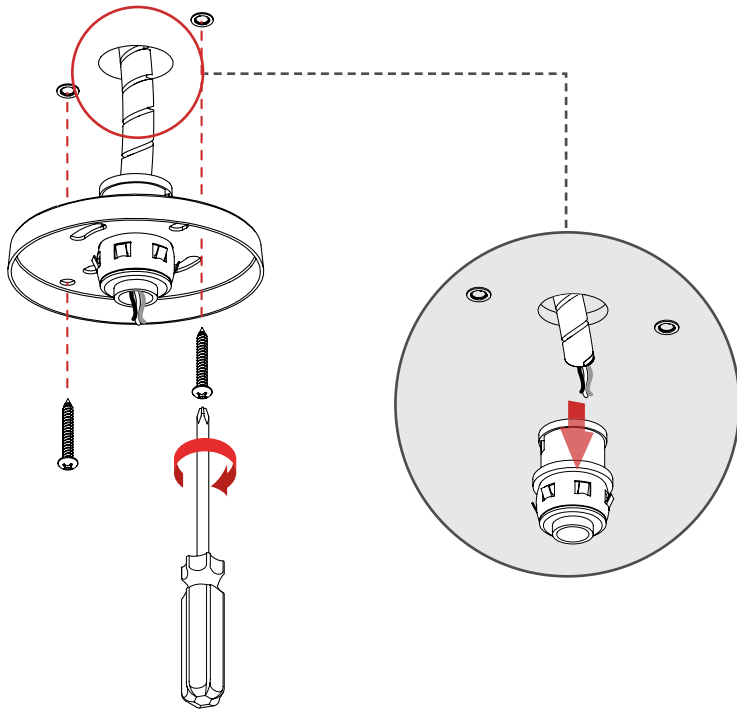
# GLOBE

## Pendant - Direct Mount - Remodel

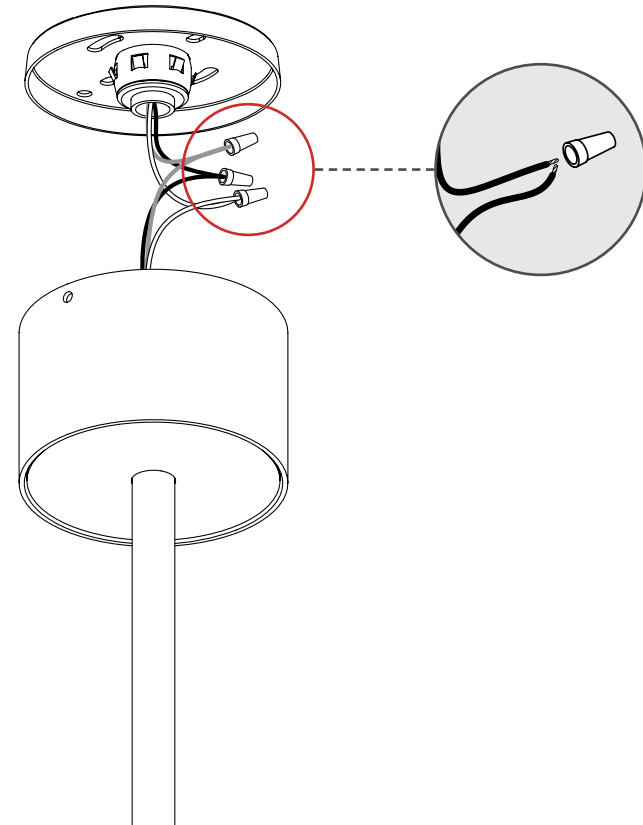


### STEM

**3** INSTALL ADAPTER PIECE TO CEILING.



**4** MAKE ELECTRICAL CONNECTIONS.



**Note:** Number of wires may vary.

# GLOBE

Pendant - Direct Mount - Remodel

STEM

---

## 5 INSTALL HOUSING ASSEMBLY.

