

## INSTALLATION INSTRUCTIONS

This product must be installed in accordance with the National Electrical Code and all applicable local codes, by a person familiar with the construction and operation of the product, and the hazards involved. Proper grounding is required for safety.

Ce produit doit être installé suivant le code national de l'électricité, ainsi que tous les codes locaux applicables, par une personne familière avec la construction et le fonctionnement du produit, ainsi que tous les risques qui y sont associés. La mise à terre électrique est obligatoire pour la sécurité.

Disconnect power before installation or servicing.

Do not cover the light element lens or heatsink with any materials or adhesive tapes when the fixture is powered.

Wire dimming conductors as Class 1.

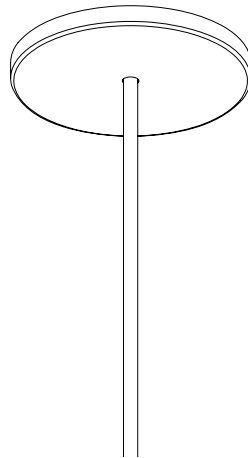
A luminaire with more than one power supply connection means shall be connected to only one branch circuit.

For electrical connections, please refer to the [wiring diagram guide](#).

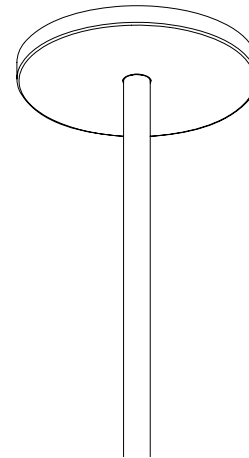
For remote driver box installation instructions, please refer to the [remote driver installation sheet](#).



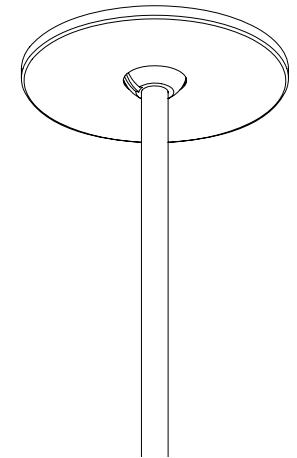
POWER CORD



STEM



SWIVEL STEM

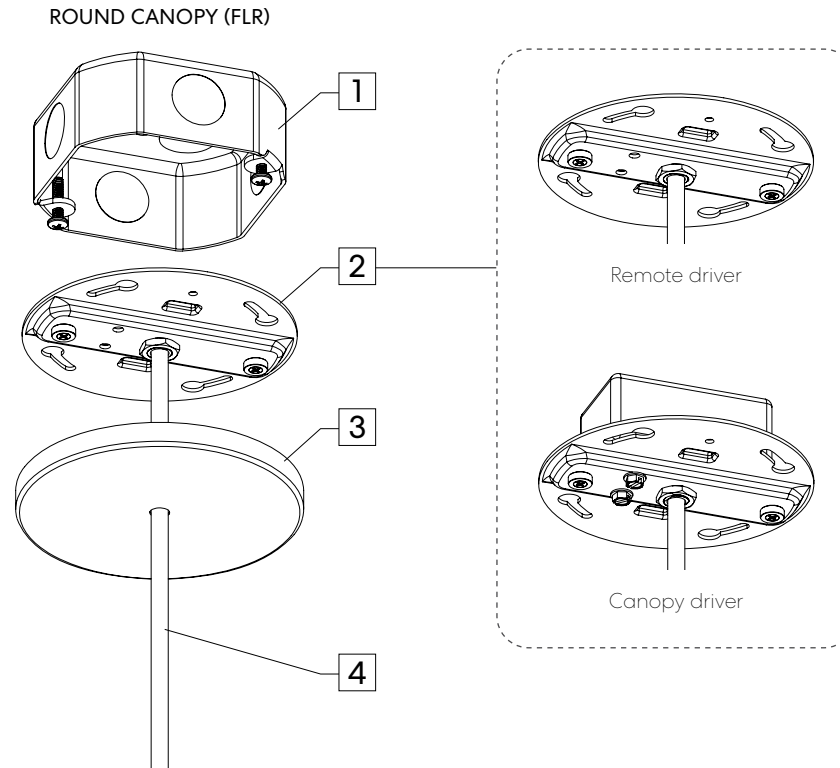


Go to the section specific to your suspension option.

### INDEX

Power cord.....	<a href="#">P.2</a>
Stem.....	<a href="#">P.6</a>
Swivel stem.....	<a href="#">P.9</a>

POWER CORD



ITEMS LIST

1	Standard J-box (by others)
2	Mounting plate
3	Flat canopy
4	Power cord

TOOLS REQUIRED

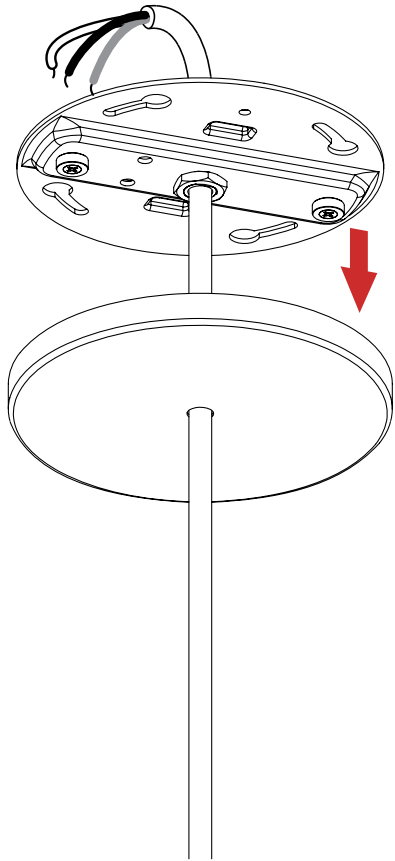
- Flat head screwdriver
- Phillips screwdriver
- Power cord cutter (as required)
- Wire stripper (as required)

CANOPY SIZE

<b>ROUND</b>	Ø 4 1/2" Height 3/8"
--------------	-------------------------

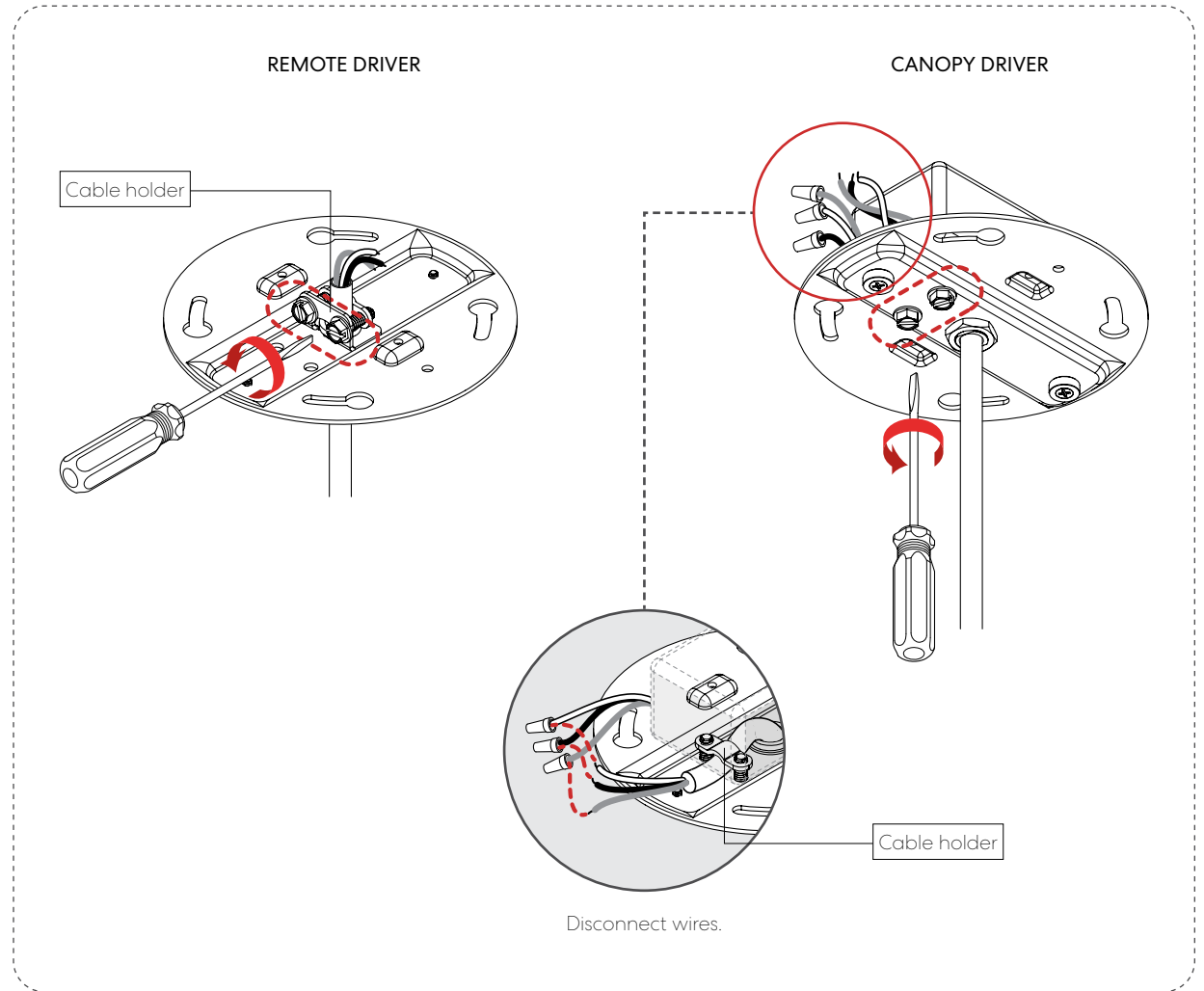
## POWER CORD

### 1 DETACH CANOPY.



### 2 ADJUST POWER CORD LENGTH. **OPTIONAL**

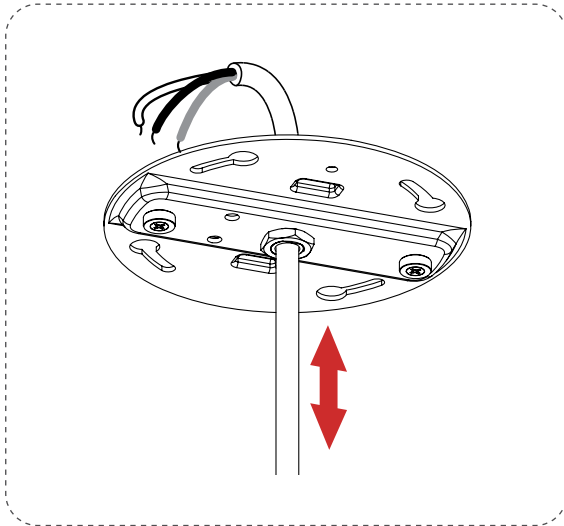
2-1 Untighten the cable holder.



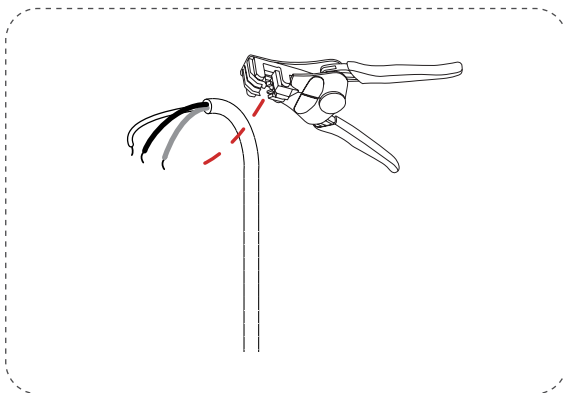
## POWER CORD

### 2 ADJUST POWER CORD LENGTH. OPTIONAL

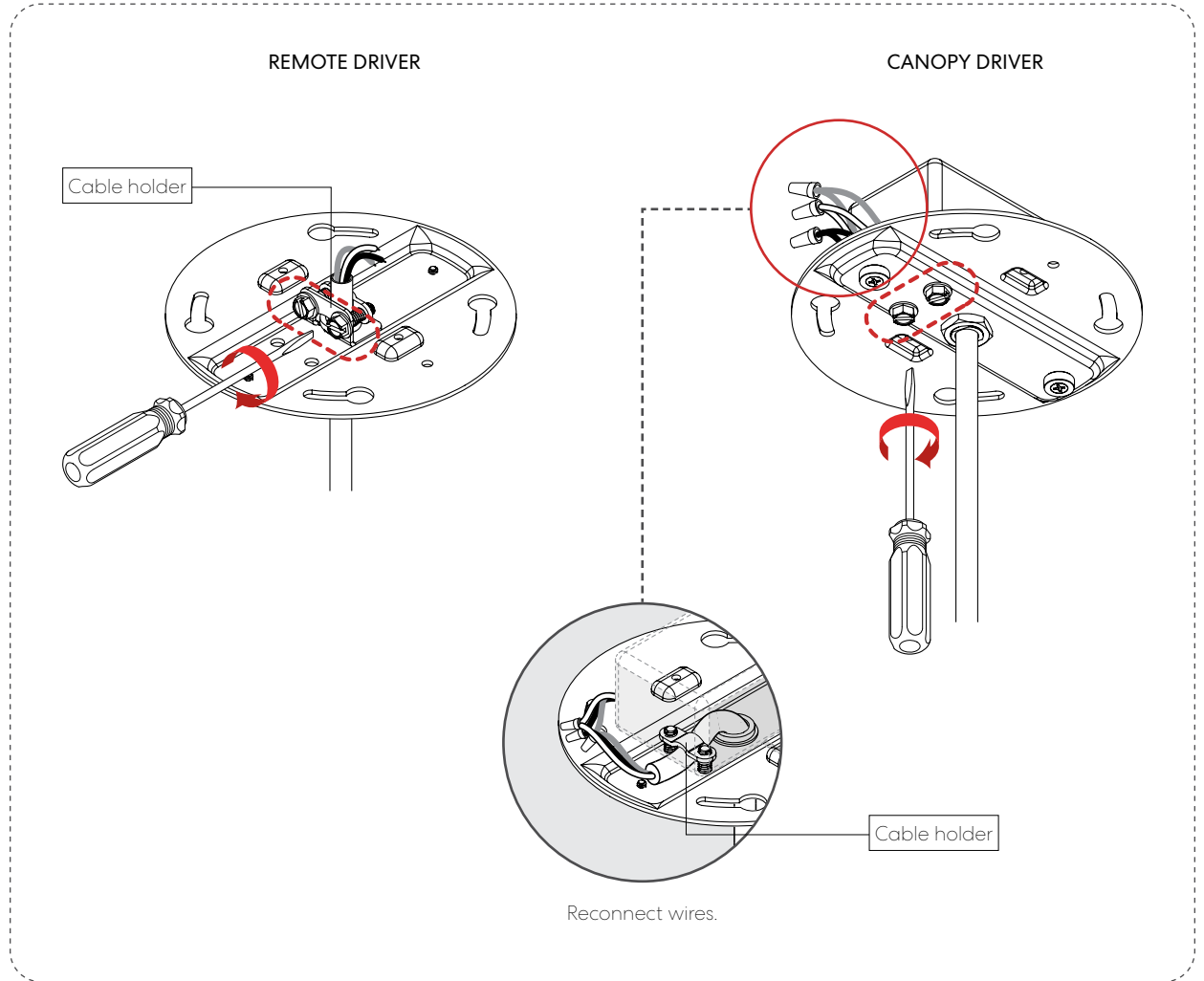
2-2 Adjust power cord length.



2-3 Cut the excess power cord.



2-4 Tighten the cable holder.

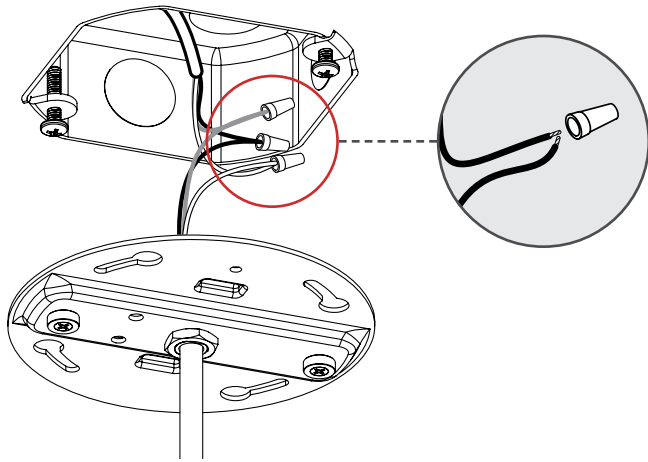


# GLOBE

Pendant - Flat Canopy

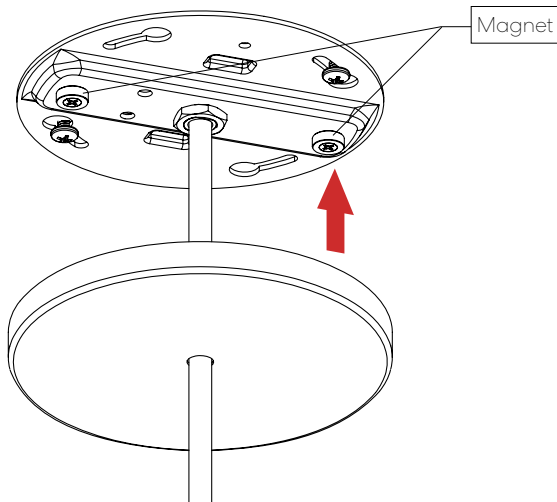
## POWER CORD

### 3 MAKE ELECTRICAL CONNECTIONS.

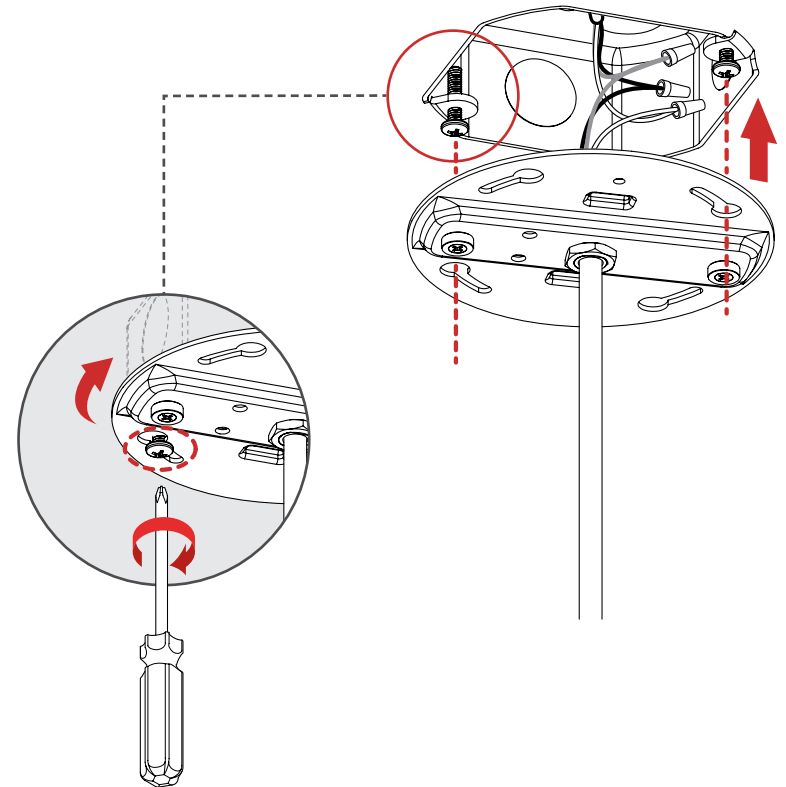


Note: Number of wires may vary.

### 5 MOUNT CANOPY.



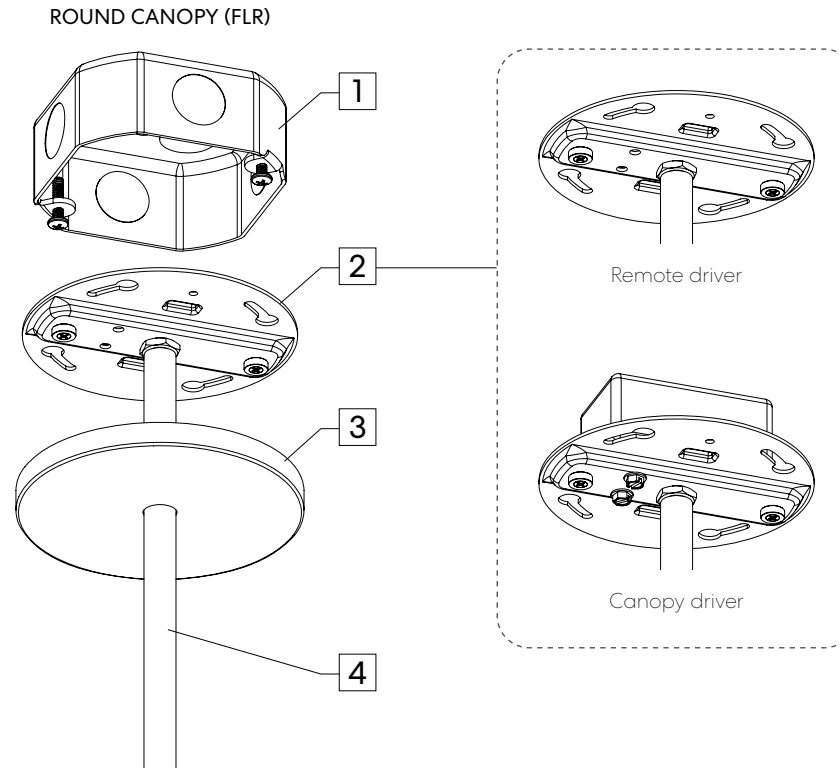
### 4 FIX MOUNTING PLATE.



# GLOBE

## Pendant - Flat Canopy

### STEM



#### ITEMS LIST

1	Standard J-box (by others)
2	Mounting plate
3	Flat canopy
4	Stem

#### TOOLS REQUIRED

- Phillips screwdriver
------------------------

#### CANOPY SIZE

<b>ROUND</b>	Ø 4 1/2" Height 3/8"
--------------	-------------------------

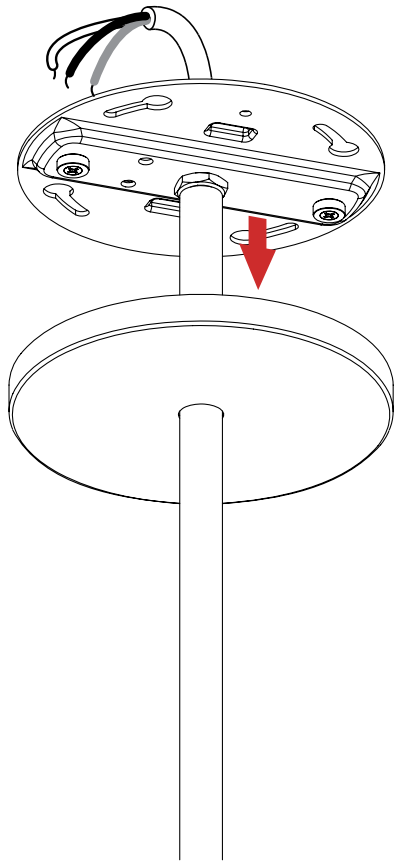
# GLOBE

## Pendant - Flat Canopy

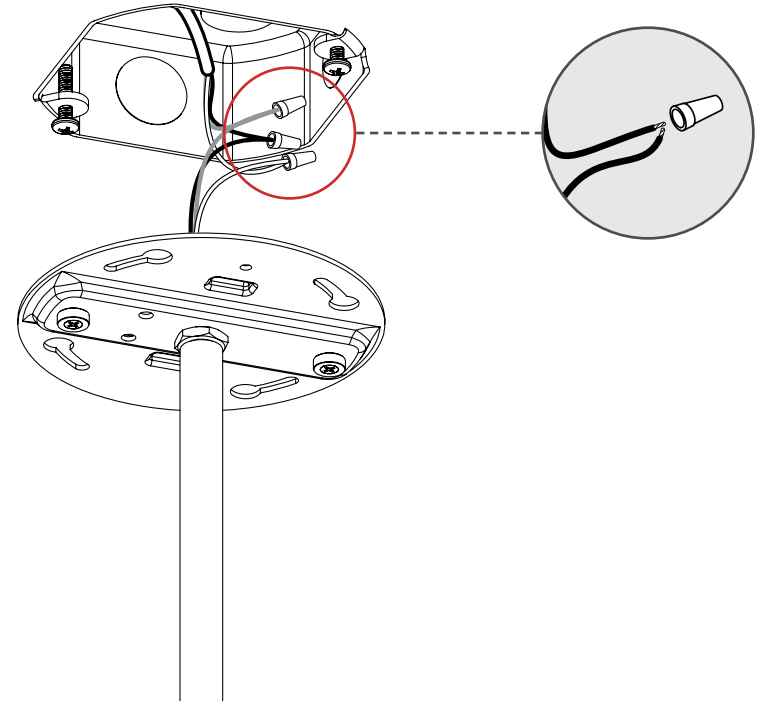


### STEM

#### 1 DETACH CANOPY.



#### 2 MAKE ELECTRICAL CONNECTIONS.



**Note:** Number of wires may vary.

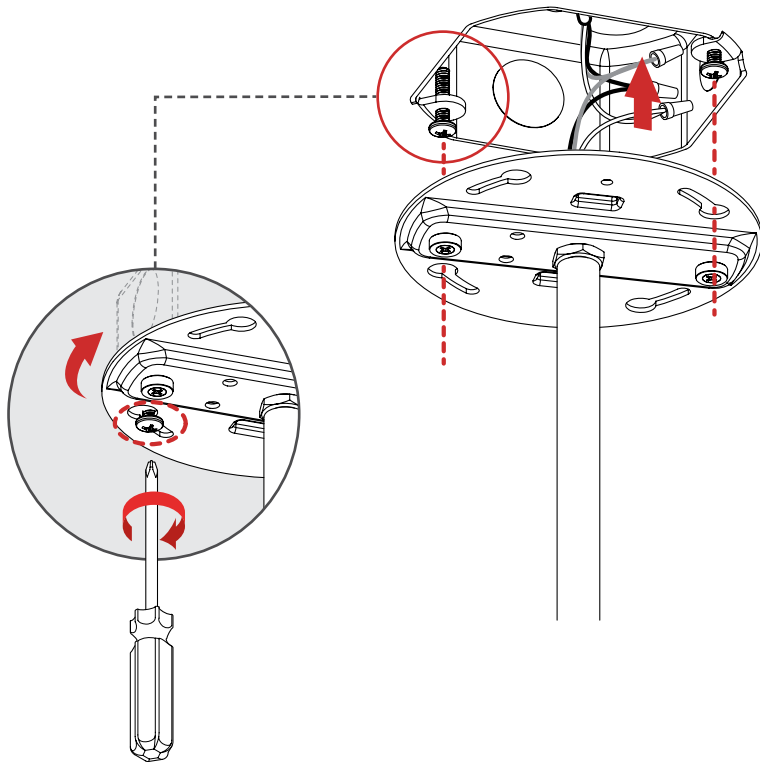


# GLOBE

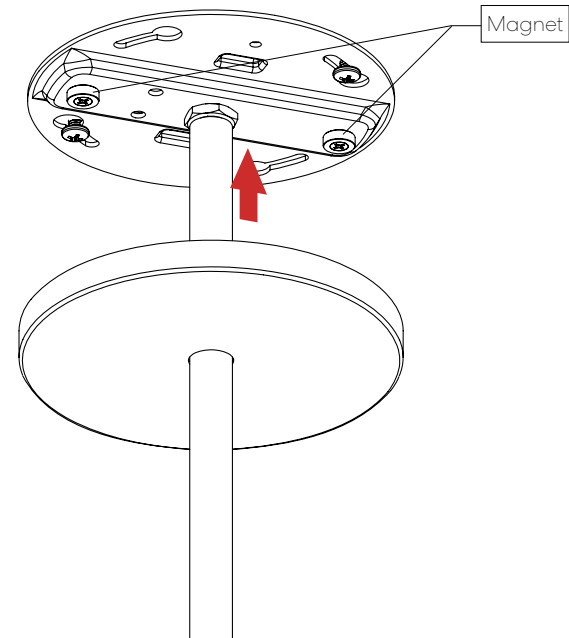
## Pendant - Flat Canopy

### STEM

#### 3 FIX MOUNTING PLATE.

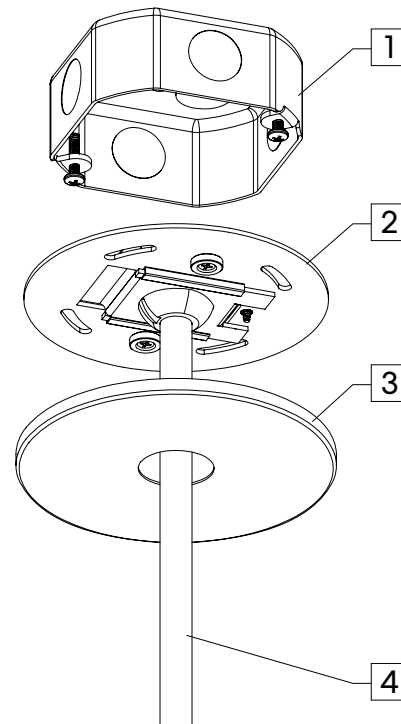


#### 4 MOUNT CANOPY.



SWIVEL STEM

ROUND CANOPY (FLR)



ITEMS LIST

1	Standard J-box (by others)
2	Mounting plate
3	Flat canopy
4	Swivel stem

TOOLS REQUIRED

- Flat head screwdriver
- Phillips screwdriver
- Power cord cutter (as required)
- Wire stripper (as required)
- Allen key 5/64" (as required)
- 1/8" drill bit (as required)
- Hacksaw (as required)

CANOPY SIZE

<b>ROUND</b>	Ø 5" Height 1/4"
--------------	---------------------

# GLOBE

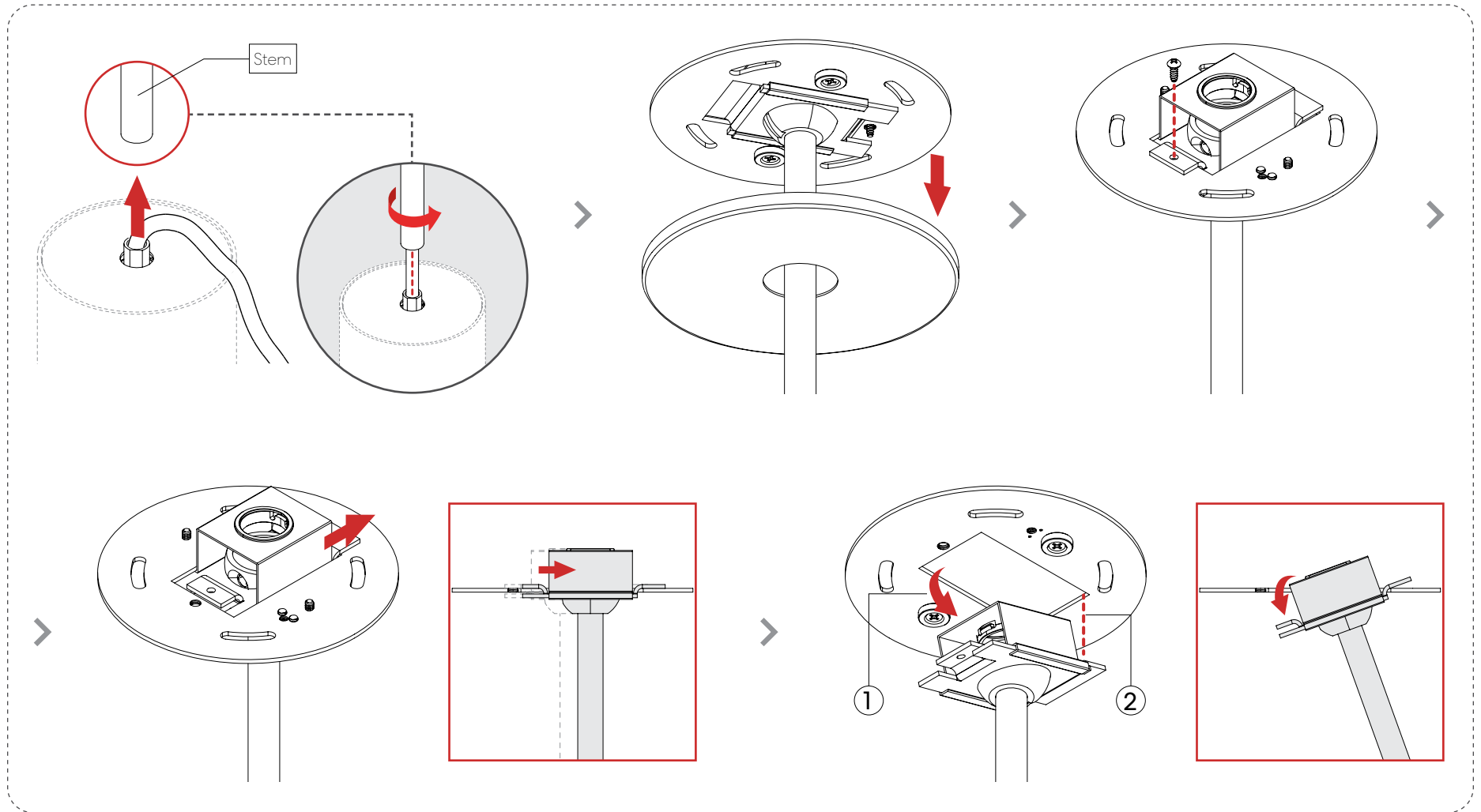
Pendant - Flat Canopy



## SWIVEL STEM

### 1 ADJUST STEM / POWER CORD LENGTH. **OPTIONAL**

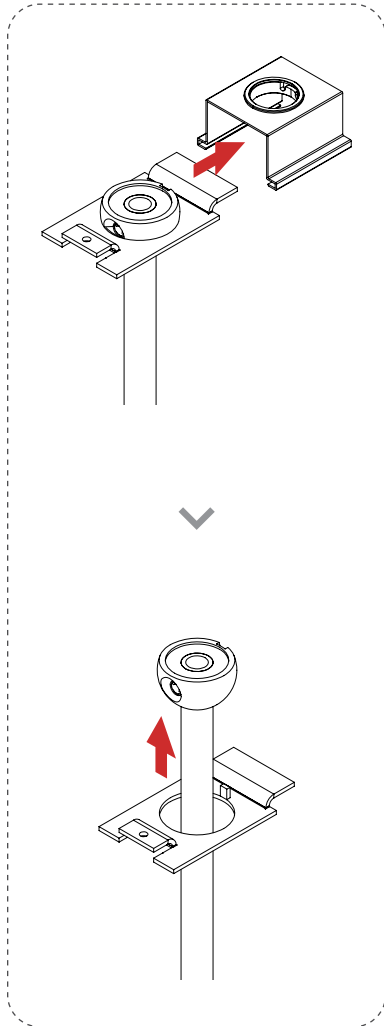
1-1 Detach swivel stem assembly.



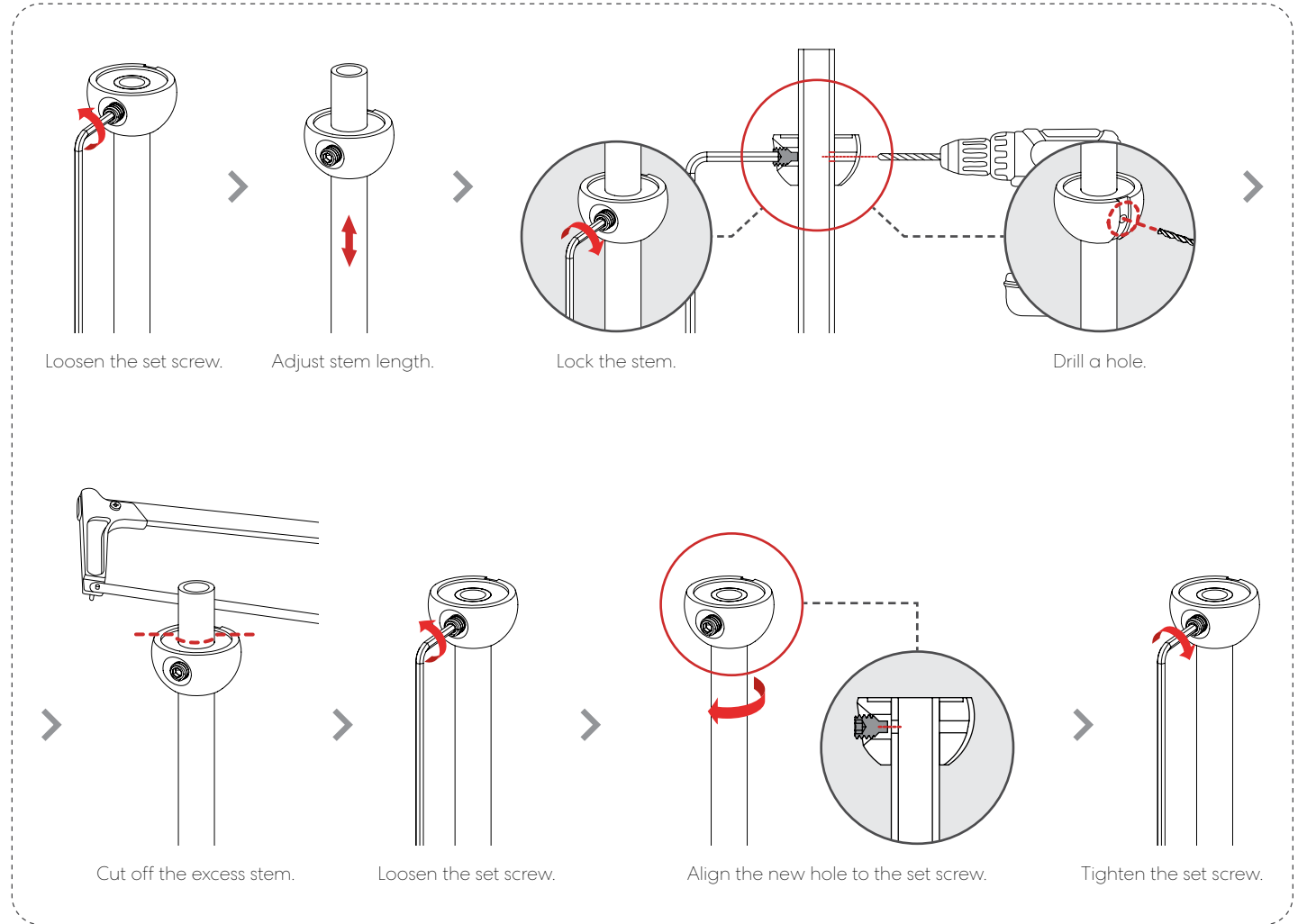
## SWIVEL STEM

### 1 ADJUST STEM / POWER CORD LENGTH. **OPTIONAL**

1-2 Detach swivel stem.



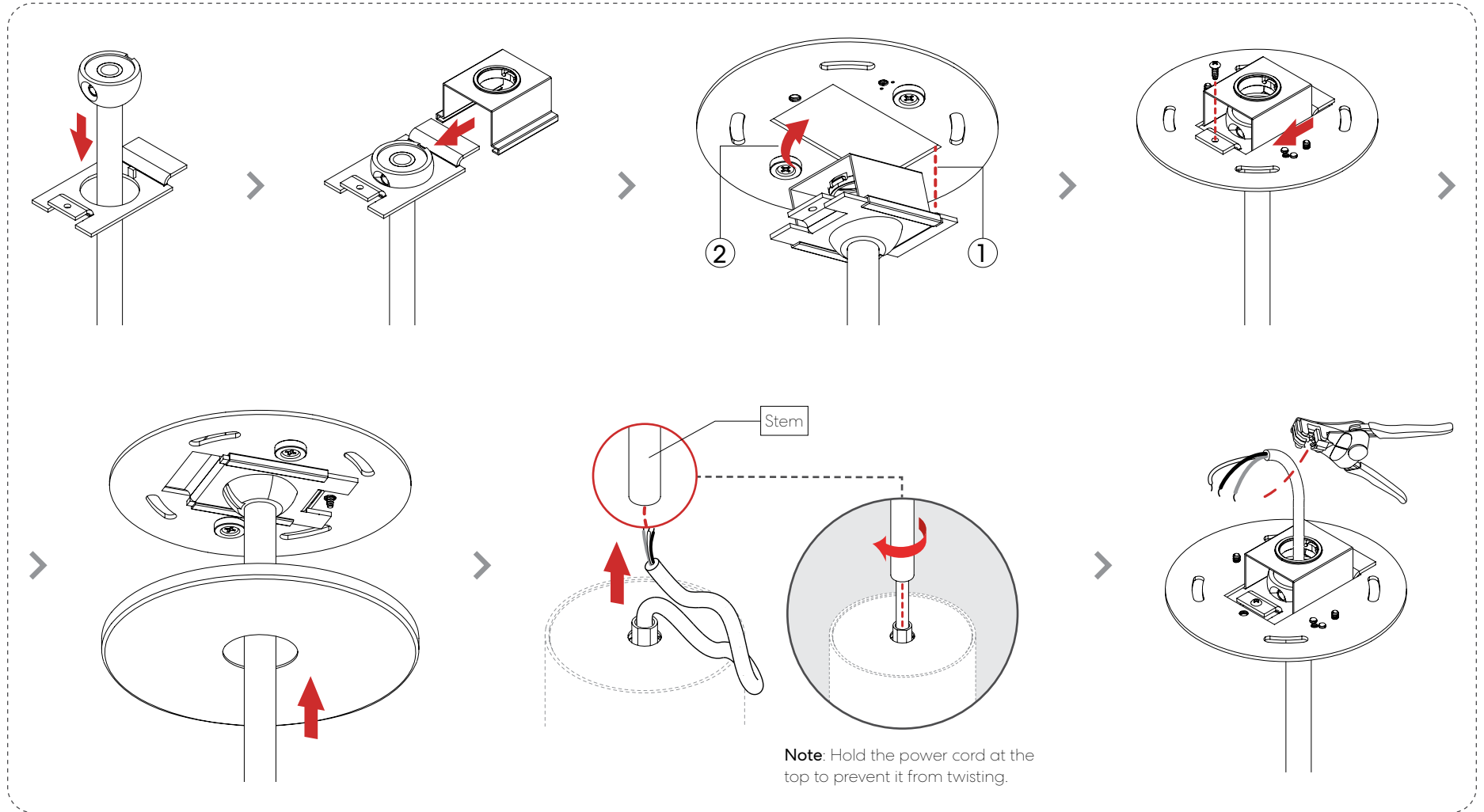
1-3 Adjust stem length.



### SWIVEL STEM

#### 1 ADJUST STEM / POWER CORD LENGTH. **OPTIONAL**

1-4 Reassemble swivel stem & adjust power cord length.

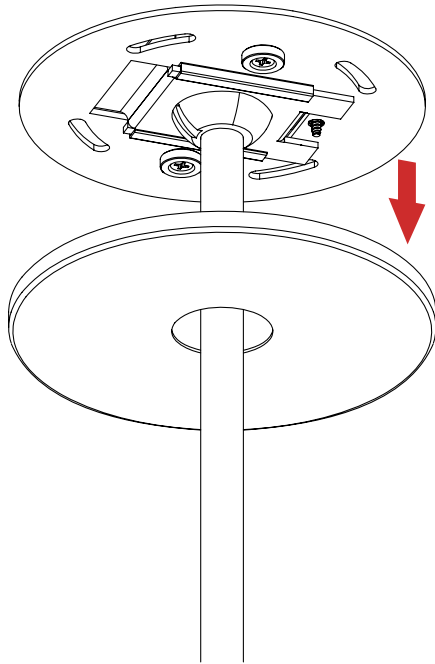


# GLOBE

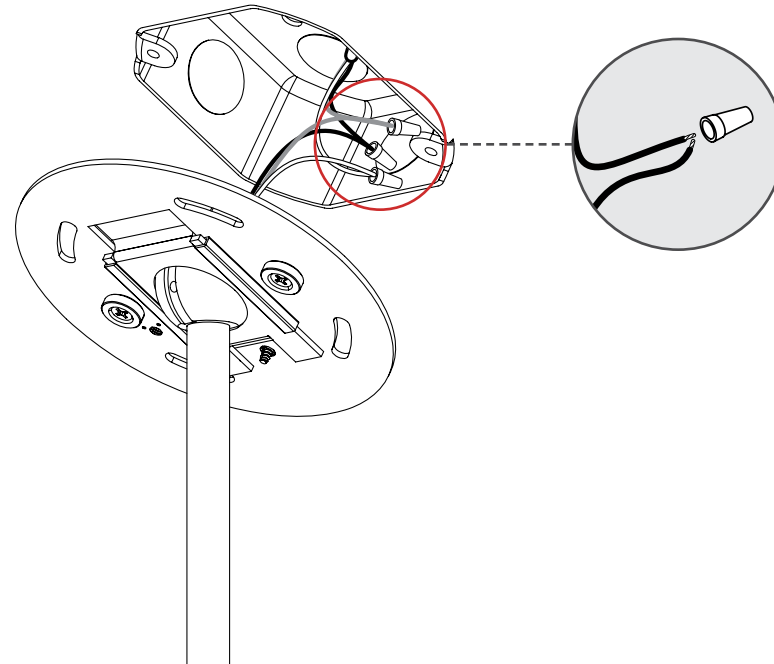
## Pendant - Flat Canopy

### SWIVEL STEM

#### 2 DETACH CANOPY.



#### 3 MAKE ELECTRICAL CONNECTIONS.



**Note:** Number of wires may vary.

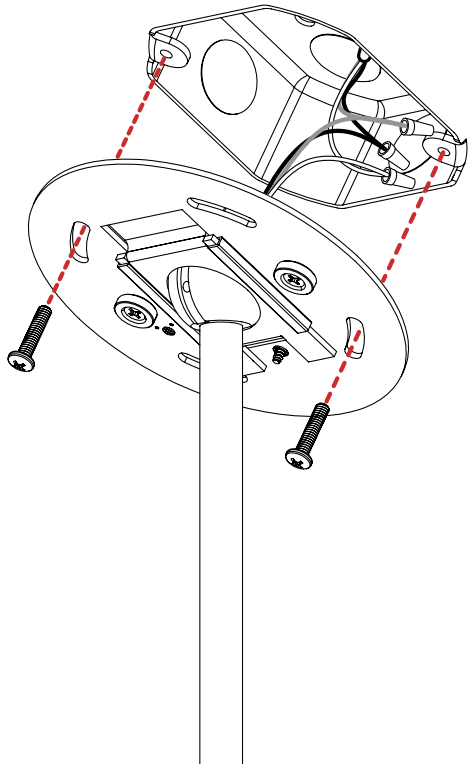
# GLOBE

## Pendant - Flat Canopy



### SWIVEL STEM

#### 4 FIX MOUNTING PLATE.



#### 5 MOUNT CANOPY.

