

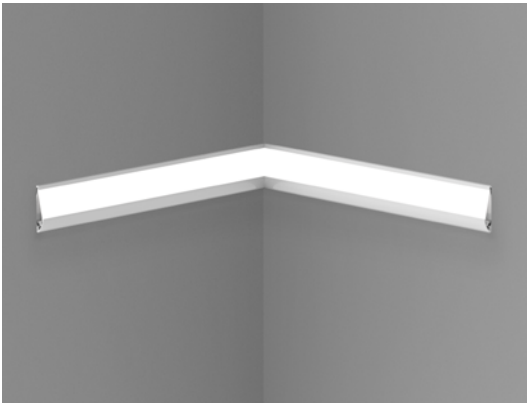
# INWALO PATTERN



WALL RECESSED  
STATIC WHITE, FULL SPECTRUM



Project: \_\_\_\_\_  
Type: \_\_\_\_\_



Shown with Indirect

Inwalo offers practical illumination from a linear in-wall luminaire. The Inwalo housing requires just 5/8" of mounting depth - the thickness of common drywall - so the luminaire mounts on top of the wall studs. The driver compartment slides behind the luminaire for totally flexible installation between the wall studs. A removable LED and optical cartridge permits access to the driver without disturbing the drywall/housing connection. Inwalo can be installed as a discrete or continuous linear luminaire and oriented for either uplight or downlight.

EXTRA SHALLOW

IC RATED **Declare.**



**SENSORS**  
For latest information on sensors, click [here](#).



## Order Guide

LUMINAIRE ID	DISTRIBUTION	OPTIC	LIGHT SOURCE	CRI	LUMEN PACKAGE	COLOR TEMPERATURE
<b>INWALWRPAT</b>		<b>AIO</b>				
<b>INWALWRPAT</b> - Inwalo Wall Recessed Pattern	<b>I</b> - Indirect <b>D</b> - Direct	<b>AIO</b> - Asymmetric In-wall Optic	<b>SW</b> - Static white <b>FS</b> - Full spectrum static white	<u>Static white</u> <b>80CRI</b> - 80+ CRI <b>90CRI</b> - 90+ CRI  <u>Full spectrum</u> <b>95CRI</b> - 95+ CRI	<b>500LMF</b> - Low output 500 lm/ft <b>750LMF</b> - Medium output 750 lm/ft <b>1000LMF<sup>1</sup></b> - High output 1000 lm/ft  <sup>1</sup> Not available with full spectrum.	<b>27K</b> - 2700K <b>30K</b> - 3000K <b>35K</b> - 3500K <b>40K</b> - 4000K <b>50K</b> - 5000K

PATTERN LENGTH <sup>2</sup>	CORNER TYPE <sup>3</sup>	VOLTAGE	DRIVER	ELECTRICAL
<b>##FT##IN(##X##FT##IN-##X##FT##IN-...)</b> - ##FT##IN: total nominal length of pattern in feet and/or inches #X: quantity of each section #FT##IN: nominal length of each section in feet and/or inches  Continuous runs: lengths over 12'  <sup>2</sup> Minimum 3'.	<b>#INN2C(A90)</b> <sup>4</sup> - 2-way inner corner  <sup>3</sup> See page 2 for details. Corner angle is 90°. <sup>4</sup> Specify quantity (#) for each required corner type.	<b>120V</b> - 120V <b>277V</b> - 277V <b>UNV</b> - 120V-277V <b>347V</b> <sup>5</sup> - 347V  <sup>5</sup> Available with D1 driver only.	<b>D1</b> - 1% 0-10V <b>ELV</b> <sup>6</sup> - ELV 120V <b>TRI</b> <sup>6</sup> - TRIAC 120V <b>DA</b> <sup>7</sup> - DALI <b>LDE1</b> <sup>7</sup> - Lutron Hi-lume 1% Eco <b>ELD1</b> - eldoLED 1% ECOdrive 0-10V <b>ELD0</b> - eldoLED 0.1% SOLOdrive 0-10V  <sup>6</sup> Available with 120V only. <sup>7</sup> On-site commissioning is required.	<b>TC</b> - 1 circuit <b>#MC</b> <sup>8</sup> - Multi circuit <b>EC</b> - Emergency-powered fixture <b>NL</b> - Night light fixture <b>DL</b> - Daylight fixture  <sup>8</sup> Specify total number of circuits (#), including any required for electrical section options. Provide drawing or layout specifications. Minimum 4' section per circuit for integral drivers.

ELECTRICAL SECTIONS (optional) <sup>9,10</sup>	MOUNTING	FINISH	OPTIONS <sup>12</sup>
<b>#EC##</b> <sup>11</sup> - Emergency-powered section <b>#NL##</b> <sup>11</sup> - Night light section <b>#DL##</b> <sup>11</sup> - Daylight section <b>NA</b> - None  <sup>9</sup> Specify with multi circuit (#MC) electrical option only. <sup>10</sup> Provide drawing or layout specifications. Consult factory for other configurations. Default section length is 4'. <sup>11</sup> Specify quantity (#), and section length in inches (##).	<b>DTR</b> - Trim <b>DMF</b> - Drywall mud flange	<b>W</b> - Matte white <b>AL</b> - Aluminum <b>B</b> - Matte black <b>WA</b> - White antimicrobial Silverwerx <b>CF#</b> - Custom finish, specify RAL#	<b>FU120</b> - Fuse 120V <b>FU277</b> - Fuse 277V <b>FWC</b> - Flexible whip cable (6' std) <b>GSK</b> <sup>13</sup> - Gasketed construction <b>NA</b> - None  <sup>12</sup> Separate codes with a "+" if more than one is specified. <sup>13</sup> IP44 rated when specified with the gasketed construction option.



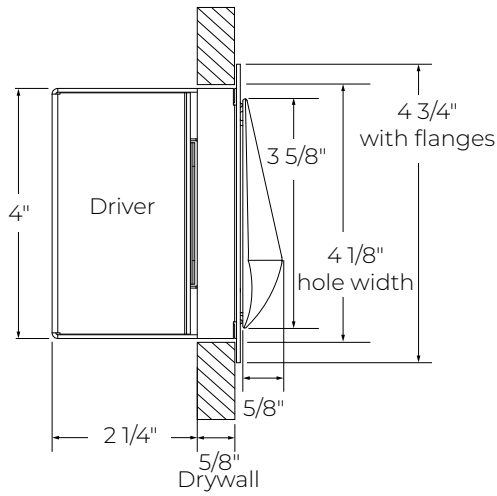
# INWALO PATTERN



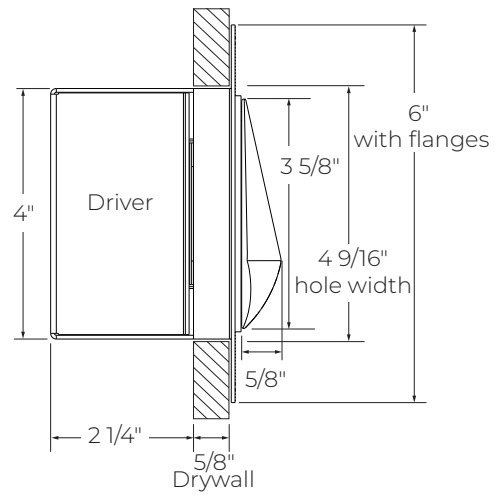
WALL RECESSED  
 STATIC WHITE, FULL SPECTRUM

Project: \_\_\_\_\_  
 \_\_\_\_\_  
 Type: \_\_\_\_\_  
 \_\_\_\_\_

## Dimensions



**DTR** - Trim

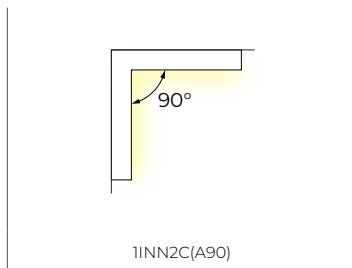


**DMF** - Drywall mud flange

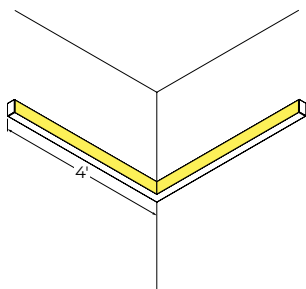
## Pattern Layout

CORNER TYPE

### INNER CORNER



EXAMPLE



8FT(2X4FT)-1INN2C(A90)

# INWALO PATTERN

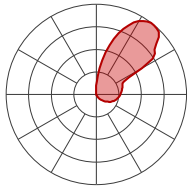


WALL RECESSED  
 STATIC WHITE, FULL SPECTRUM

## Photometrics

Values calculated based on a 4' fixture at 3500K.

INDIRECT



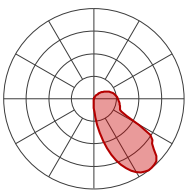
Static white

LM/FT	W/FT	LM/W
500	4	126
750	6.1	122
1000	8.5	118

Full spectrum static white

LM/FT	W/FT	LM/W
500	5.6	88
750	8.8	85

DIRECT



Static white

LM/FT	W/FT	LM/W
500	4	126
750	6.1	122
1000	8.5	118

Full spectrum static white

LM/FT	W/FT	LM/W
500	5.6	88
750	8.8	85

## MULTIPLIER TABLE

Use the table to get results for different color temperatures for all photometric tables.

CCT	WATTS		LPW	
	80+ CRI	90+ CRI / 95+ CRI	80+ CRI	90+ CRI / 95+ CRI
2700K		1.05		0.95
3000K		1.02		0.98
3500K		1.00		1.00
4000K		1.00		1.00
5000K		0.96		1.04

WALL RECESSED  
STATIC WHITE, FULL SPECTRUM

## Technical Specifications

### OPTIC

#### Asymmetric In-wall Optic (AIO)

The Asymmetric In-wall Optic (AIO) combines semi-specular reflectors and an elliptic refractive film to produce a comfortable beam with maximum intensity at 140° from horizontal. In-wall construction eliminates backlight.

The integral optic and LED cartridge can be removed for access to both the LED array and driver without disturbing the wall trim.

### LIGHT SOURCE

#### Static white

Custom linear array of mid-flux LEDs are cartridge-mounted with quick-connect wiring to facilitate service and thermal management. Available in 2700K, 3000K, 3500K, 4000K, and 5000K with a minimum 80+ CRI and an option for 90+ CRI with elevated R9 value. Color consistency maintained to within 3 SDCM. All LEDs have been tested in accordance with IESNA LM-80-08 and the results have shown L80 lumen maintenance greater than 60,000 hours. Absolute product photometry is measured and presented in accordance with IESNA LM-79, unless otherwise indicated.

#### Full spectrum static white

The full spectrum LED option offers improved color particularly in the cyan region that is beneficial in both healthcare and circadian lighting strategies. The cyan region in full spectrum LED is richer at the 480 nm range.

### PATTERN LENGTH

All individual sections are joined together onsite using the joiner kits provided. Lumenwerx offers joiner kits that are extremely simple to work with in the field and result in a fixture that appears virtually seamless with no light leak at any connection.

### ELECTRICAL

LED driver is provided in a wiring enclosure mounted to the back of each luminaire. The enclosure mounts on a sliding track so that it can be positioned between the wall studs. Driver features factory-set, adjustable output current with universal (120-277 VAC) input. Dimmable from 100% to 1% with 0-10V dimming control. Rated life (90% survivorship) of 50,000 hours at 50°C max. ambient (and 70°C max. case) temperature. At maximum driver load: Efficiency > 84%, PF > 0.9, THD < 20%. Other specifiable options include Lutron Hi-Lume 1% Eco, eldoLED 1% ECOdrive 0-10V, eldoLED 0.1% SOLOdrive 0-10V, ELV, TRIAC, and DALI protocol drivers. All of our standard 0-10V drivers are NEMA 410 compliant. ELV and TRIAC dimming performance (including minimum dimming percentage) subject to dimmer selection.

### PoE

Depending on the PoE manufacturer selected, Lumenwerx will install the node in factory as either integral to the luminaire or as a remote module. Factory programming of the PoE node may or may not enable the following functionalities: lumen package, DUO (tunable white), QUADRO (RGBW), emergency battery backup, and sensor integration. These must be addressed and evaluated on a case-by-case basis.

### ELECTRICAL SECTION OPTIONS

Electrical section options are available for fixtures specified as multi circuit (#MC). With MC, specify the total number of circuits (#), including any circuits required for optional electrical sections. A drawing is required to specify the layout. Please consult factory for custom configurations.

#### Electrical sections

Options include emergency-powered (#EC##), night light (#NL##), daylight (#DL##) sections. Specify the quantity (#), as well as the section length in inches (##).

Example: A 32' Direct fixture with two 8' emergency-powered sections on a second circuit.

Code: 2MC-2EC96

### MOUNTING

Recessed wall mounting is available with trim or mud flange option. The Inwalo can be mounted in the wall in both Uplight and Downlight orientation.

### FINISH

**Interior:** 95%, reflective matte powder coated white paint

**Exterior:** Matte white, matte black or aluminum powder coating. Custom finishes are also available. Optional antimicrobial finish.

### GASKET CONSTRUCTION OPTION

The lens is gasketed and sealed, making the fixture suitable for healthcare applications. IP44 rated.

# INWALO PATTERN



WALL RECESSED  
STATIC WHITE, FULL SPECTRUM

## CONSTRUCTION

**Housing:** Extruded aluminum, up to 90% recycled content  
**Joining system:** Cold rolled steel  
**White reflector:** Extruded aluminum, painted highly reflective matte white paint  
**Specular internal reflector:** Specular aluminum sheet  
**Mud flange:** Extruded aluminum  
**Recessed flanges:** Extruded aluminum  
**End-Plates:** Cold rolled steel  
**End-Caps:** Die-cast aluminum  
**Lens:** Acrylic  
**Gasket (GSK option):** Closed-cell silicone foam gasket

## CERTIFICATIONS

**ETL:** Rated for indoor dry/damp locations. Conforms to UL Standard 1598 and certified to CAN/CSA Standard C22.2 No. 250.0  
**Declare:** [LBC Red List Approved](#)

## WARRANTY

Lumenwerx provides a five-year limited warranty on electrical and mechanical performance of the luminaires, including the LED boards, drivers, and auxiliary electronics. Lumenwerx will repair or replace defective luminaires or components at our discretion, provided they have been installed and operated in accordance with our specifications. Other limitations apply, please refer to the full warranty on our website.