

INWALO

WALL RECESSED
STATIC WHITE, FULL SPECTRUM

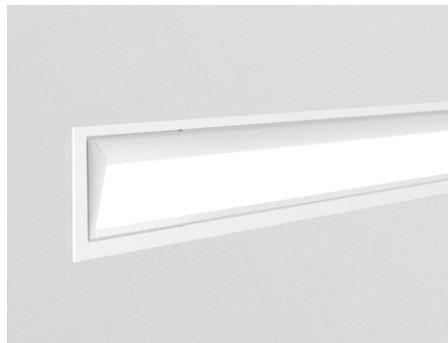


Project: _____

Type: _____



Indirect



Direct

SENSORS
For latest information on sensors, click [here](#).

Declare.

EXTRA SHALLOW

IC RATED

IP44



Inwalo offers practical illumination from a linear in-wall luminaire. The Inwalo housing requires just 5/8" of mounting depth - the thickness of common drywall - so the luminaire mounts on top of the wall studs. The driver compartment slides behind the luminaire for totally flexible installation between the wall studs. A removable LED and optical cartridge permits access to the driver without disturbing the drywall/housing connection. Inwalo can be installed as a discrete or continuous linear luminaire and oriented for either uplight or downlight.

Order Guide

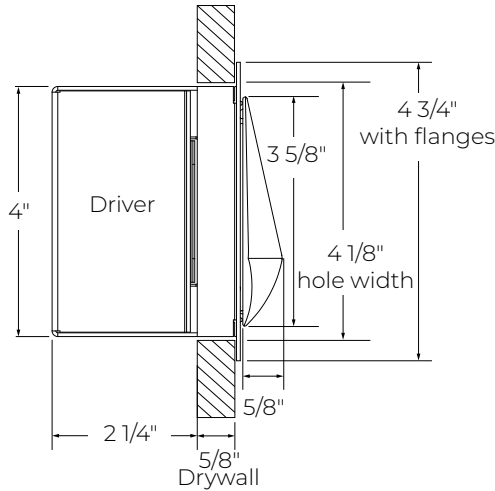
LUMINAIRE ID	DISTRIBUTION	OPTIC	LIGHT SOURCE	CRI	LUMEN PACKAGE	COLOR TEMPERATURE
INWALWR		AIO				
INWALWR - Inwalo Wall Recessed	I - Indirect D - Direct	AIO - Asymmetric In-wall Optic	SW - Static white FS - Full spectrum static white	<u>Static white</u> 80CRI - 80+ CRI 90CRI - 90+ CRI <u>Full spectrum</u> 95CRI - 95+ CRI	500LMF - Low output 500 lm/ft 750LMF - Medium output 750 lm/ft 1000LMF ¹ - High output 1000 lm/ft ¹ Not available with full spectrum.	27K - 2700K 30K - 3000K 35K - 3500K 40K - 4000K 50K - 5000K

LUMINAIRE LENGTH	VOLTAGE	DRIVER	ELECTRICAL
#FT#IN - Specify nominal length (#) in 1' and/or 1" increments Standard nominal lengths: Single units: 3' to 12' Continuous runs: lengths over 12'	120V - 120V 277V - 277V UNV - 120V-277V 347V ² - 347V ² Available with D1 driver only.	D1 - 1% 0-10V ELV ³ - ELV 120V TRI ³ - TRIAC 120V DA ⁴ - DALI LDE1 ⁴ - Lutron Hi-lume 1% Eco ELD1 - eldoLED 1% ECOdrive 0-10V ELDO - eldoLED 0.1% SOLOdrive 0-10V ³ Available with 120V only. ⁴ On-site commissioning is required.	1C - 1 circuit #MC ⁵ - Multi circuit EC - Emergency-powered fixture NL - Night light fixture DL - Daylight fixture ⁵ Specify total number of circuits (#), including any required for electrical section options. Provide drawing or layout specifications. Minimum 4' section per circuit for integral drivers.

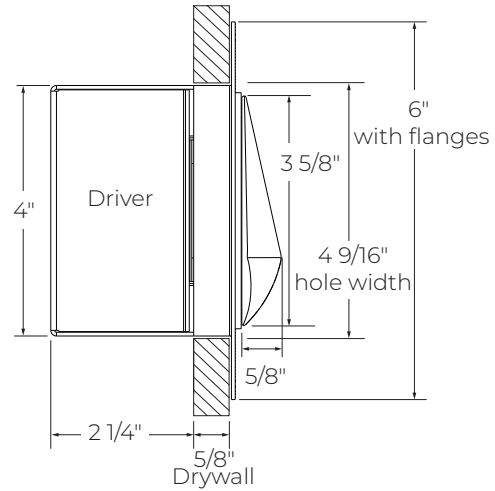
ELECTRICAL SECTIONS (optional) ^{6,7}	MOUNTING	FINISH	OPTIONS ⁹
#EC## ⁸ - Emergency-powered section #NL## ⁸ - Night light section #DL## ⁸ - Daylight section NA - None ⁶ Specify with multi circuit (#MC) electrical option only. ⁷ Provide drawing or layout specifications. Consult factory for other configurations. Default section length is 4'. ⁸ Specify quantity (#), and section length in inches (##).	DTR - Trim DMF - Drywall mud flange	W - Matte white AL - Aluminum B - Matte black WA - White antimicrobial Silverwerx CF# - Custom finish, specify RAL#	FU120 - Fuse 120V FU277 - Fuse 277V FWC - Flexible whip cable (6' std) GSK ¹⁰ - Gasketed construction NA - None ⁹ Separate codes with a "+" if more than one is specified. ¹⁰ IP44 rated when specified with the gasketed construction option.

WALL RECESSED
 STATIC WHITE, FULL SPECTRUM

Dimensions



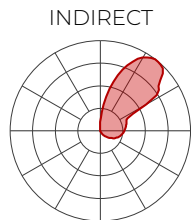
DTR - Trim



DMF - Drywall mud flange

Photometrics

Values calculated based on a 4' fixture at 3500K.

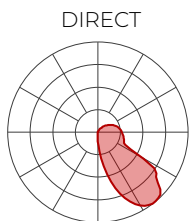


Static white

LM/FT	W/FT	LM/W
500	4	126
750	6.1	122
1000	8.5	118

Full spectrum static white

LM/FT	W/FT	LM/W
500	5.6	88
750	8.8	85



Static white

LM/FT	W/FT	LM/W
500	4	126
750	6.1	122
1000	8.5	118

Full spectrum static white

LM/FT	W/FT	LM/W
500	5.6	88
750	8.8	85

MULTIPLIER TABLE

Use the table to get results for different color temperatures for all photometric tables.

CCT	WATTS	
	80+ CRI / 90+ CRI / 95+ CRI	LPW
2700K	1.05	0.95
3000K	1.02	0.98
3500K	1.00	1.00
4000K	1.00	1.00
5000K	0.96	1.04

WALL RECESSED
STATIC WHITE, FULL SPECTRUM

Technical Specifications

OPTIC

Asymmetric In-wall Optic (AIO)

The Asymmetric In-wall Optic (AIO) combines semi-specular reflectors and an elliptic refractive film to produce a comfortable beam with maximum intensity at 140° from horizontal. In-wall construction eliminates backlight. The integral optic and LED cartridge can be removed for access to both the LED array and driver without disturbing the wall trim.

LIGHT SOURCE

Static white

Custom linear array of mid-flux LEDs are cartridge-mounted with quick-connect wiring to facilitate service and thermal management. Available in 2700K, 3000K, 3500K, 4000K, and 5000K with a minimum 80+ CRI and an option for 90+ CRI with elevated R9 value. Color consistency maintained to within 3 SDCM. All LEDs have been tested in accordance with IESNA LM-80-08 and the results have shown L80 lumen maintenance greater than 60,000 hours. Absolute product photometry is measured and presented in accordance with IESNA LM-79, unless otherwise indicated.

Full spectrum static white

The full spectrum LED option offers improved color particularly in the cyan region that is beneficial in both healthcare and circadian lighting strategies. The cyan region in full spectrum LED is richer at the 480 nm range.

LUMINAIRE LENGTH

Inwalo is available in standard lengths of 3' to 12'. Continuous runs are available for run lengths over 12'. Exact run length must be noted in the product code. The minimum length is 3', and can be ordered in 1' and/or 1" increments. All individual sections are joined together onsite using the joiner kits provided. Lumenwerx offers joiner kits that are extremely simple to work with in the field and result in a fixture that appears virtually seamless with no light leak at any connection.

ELECTRICAL

LED driver is provided in a wiring enclosure mounted to the back of each luminaire. The enclosure mounts on a sliding track so that it can be positioned between the wall studs. Driver features factory-set, adjustable output current with universal (120-277 VAC) input. Dimmable from 100% to 1% with 0-10V dimming control. Rated life (90% survivorship) of 50,000 hours at 50°C max. ambient (and 70°C max. case) temperature. At maximum driver load: Efficiency > 84%, PF > 0.9, THD < 20%. Other specifiable options include Lutron Hi-Lume 1% Eco, eldoLED 1% ECOdrive 0-10V, eldoLED 0.1% SOLOdrive 0-10V, ELV, TRIAC, and DALI protocol drivers. All of our standard 0-10V drivers are NEMA 410 compliant. ELV and TRIAC dimming performance (including minimum dimming percentage) subject to dimmer selection.

PoE

Depending on the PoE manufacturer selected, Lumenwerx will install the node in factory as either integral to the luminaire or as a remote module. Factory programming of the PoE node may or may not enable the following functionalities: lumen package, DUO (tunable white), QUADRO (RGBW), emergency battery backup, and sensor integration. These must be addressed and evaluated on a case-by-case basis.

ELECTRICAL SECTION OPTIONS

Electrical section options are available for fixtures specified as multi circuit (#MC). With MC, specify the total number of circuits (#), including any circuits required for optional electrical sections. A drawing is required to specify the layout. Please consult factory for custom configurations.

Electrical sections

Options include emergency-powered (#EC##), night light (#NL##), daylight (#DL##) sections. Specify the quantity (#), as well as the section length in inches (##).

Example: A 32' Direct fixture with two 8' emergency-powered sections on a second circuit.

Code: 2MC-2EC96

MOUNTING

Recessed wall mounting is available with trim or mud flange option. The Inwalo can be mounted in the wall in both Uplight and Downlight orientation.

FINISH

Interior: 95%, reflective matte powder coated white paint

Exterior: Matte white, matte black or aluminum powder coating. Custom finishes are also available. Optional antimicrobial finish.

GASKET CONSTRUCTION OPTION

The lens is gasketed and sealed, making the fixture suitable for healthcare applications. IP44 rated.

WALL RECESSED
STATIC WHITE, FULL SPECTRUM

CONSTRUCTION

Housing: Extruded aluminum, up to 90% recycled content
Joining system: Cold rolled steel
White reflector: Extruded aluminum, painted highly reflective matte white paint
Specular internal reflector: Specular aluminum sheet
Mud flange: Extruded aluminum
Recessed flanges: Extruded aluminum
End-Plates: Cold rolled steel
End-Caps: Die-cast aluminum
Lens: Acrylic
Gasket (GSK option): Closed-cell silicone foam gasket

WEIGHT

4': 13.23 lbs - 6 kg
8': 26.45 lbs - 12 kg

CERTIFICATIONS

ETL: Rated for indoor dry/damp locations. Conforms to UL Standard 1598 and certified to CAN/CSA Standard C22.2 No. 250.0.
IC rated: Suitable for direct contact with insulation
Declare: [LBC Red List Approved](#)

WARRANTY

Lumenwerx provides a five-year limited warranty on electrical and mechanical performance of the luminaires, including the LED boards, drivers, and auxiliary electronics. Lumenwerx will repair or replace defective luminaires or components at our discretion, provided they have been installed and operated in accordance with our specifications. Other limitations apply, please refer to the full warranty on our website.