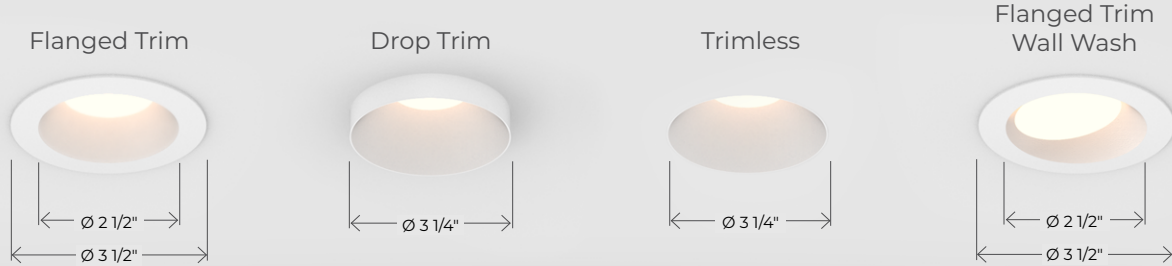


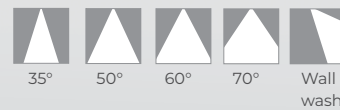
LIVV 2.5" DOWNLIGHT

ROUND RECESSED, ADJUSTABLE, WALL WASH



Built for scale, the Livv family delivers downlight essentials in a clean architectural form backed by LivvCore™, our proprietary Driver-on-Board technology. Livv's quick-connect system and below-ceiling access allow for fast, contractor-friendly installation and easy maintenance. Available in 2.5" and 3.5" apertures with fixed, adjustable, and wall wash distributions. The collection also includes Livv Plus (The Extras), with advanced features such as tunable white and expanded control.

Beam Angles



Light Source

Static White

Performance

LUMEN OUTPUT ¹	WATTS	EFFICACY
579 lm	5 W	116 lm/W
899 lm	8 W	112 lm/W
1320 lm	12 W	110 lm/W

¹Values based on Livv Recessed at 3500K, 90+ CRI, and 50° beam.



Livv Collection Brochure



LIVV 2.5" DOWNLIGHT

ROUND RECESSED, ADJUSTABLE, WALL WASH



Project: _____

Type: _____

Order Guide - Static White

1 - Light

LUMINAIRE ID	TRIM STYLE ¹		TRIM FINISH	LIGHT SOURCE	BEAM	
				SW		
LV2.5RR - Livv 2.5" Round Recessed LV2.5RRA - Livv 2.5" Round Recessed Adjustable LV2.5RRWW - Livv 2.5" Round Recessed Wall Wash	Recessed Recessed Adjustable	Recessed Wall Wash	FTMW - Matte white FTMB - Matte black CF# - Custom finish, specify RAL#	SW ² - Static white ² 90+ CRI, 2-step.	Recessed Recessed Adjustable	Recessed Wall Wash
	TRM - Flanged trim DT - Drop trim TLMP - Trimless drywall mudplate TLMW - Trimless millwork ¹ See page 6 for more details.	TRMWW - Flanged trim, wall wash			35DEG - 35° Narrow flood 50DEG - 50° Wide flood 60DEG - 60° Wide flood 70DEG ³ - 70° Very wide flood ³ Not available with Adjustable.	WW - Wall wash

COLOR TEMPERATURE	WATTAGE	VOLTAGE	DIMMING	OPTION
		120V		
27K ⁴ - 2700K 30K - 3000K 35K ⁵ - 3500K ⁴ Not available with D5 dimming option. ⁵ Not available with TRI dimming option.	5W - 5 W output, up to 579 lm 8W - 8 W output, up to 899 lm 12W - 12 W output, up to 1320 lm	120V - 120V	D5 - 5% 0-10V TRI - TRIAC 120V	WET ⁶ - Wet location NA - None ⁶ Not available with Adjustable.

2 - Housing

LUMINAIRE ID	TRIM STYLE Specify same as Light	WATTAGE Specify same as Light	INSTALLATION TYPE ^{8,9}	MOUNTING OPTION ¹¹
LV2.5RRH - Livv 2.5" Round Recessed LV2.5RRAH - Livv 2.5" Round Recessed Adjustable LV2.5RRWWH - Livv 2.5" Round Recessed Wall Wash	Recessed Recessed Adjustable	Recessed Wall Wash	RM - Remodel Type Non-IC PMP - Remodel pre-mount plate IC ¹⁰ - Type-IC CP ¹⁰ - Chicago Plenum Type-IC (CCEA) AT ¹⁰ - Airtight Type-IC ⁸ See pages 3 to 5 for more details. ⁹ For concrete pour, consult factory. ¹⁰ Only available with 8 W or less.	ASB ¹² - Adjustable standard bar hangers FMB ¹² - Flush mount bars ACB ¹² - Adjustable commercial bar hangers NA - No bar hangers ¹¹ See page 7 for more details. ¹² Not available with RM installation type.
	TRM - Flanged trim DT - Drop trim TLMP - Trimless drywall mudplate TLMW - Trimless millwork	TRMWW - Flanged trim, wall wash ⁷ Not available with IC/CP/AT.		



LIVV 2.5" DOWNLIGHT

ROUND RECESSED, ADJUSTABLE, WALL WASH



Housing Dimensions

Recessed

<p>RM - Remodel Type Non-IC</p> <p>Minimum plenum height - 4" Minimum 3" setback from insulation around all sides and top</p>	<p>PMP + Bar Hanger - Remodel pre-mount plate</p> <p>Minimum plenum height - 4" (FMB); 4 3/16" (ASB, ACB) Minimum 3" setback from insulation around all sides and top</p>
<p>PMP + NA - Remodel pre-mount plate with no bar hangers</p> <p>Minimum plenum height - 4" Minimum 3" setback from insulation around all sides and top</p>	<p>IC - Type-IC CP - Chicago Plenum Type-IC (CCEA) AT - Airtight Type-IC</p> <p>Minimum plenum height - 4 1/16" No setback from insulation required</p>

LIVV 2.5" DOWNLIGHT

ROUND RECESSED, ADJUSTABLE, WALL WASH

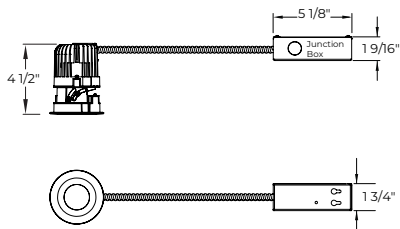


Housing Dimensions

Recessed Adjustable

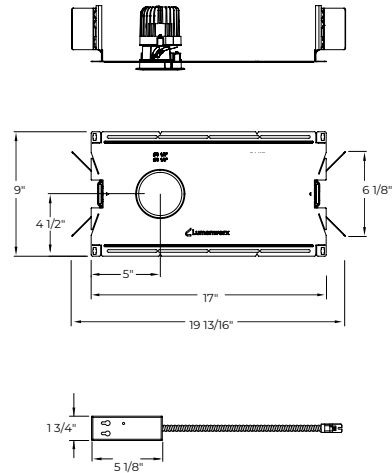
RM - Remodel Type Non-IC

Minimum plenum height - 5"
 Minimum 3" setback from insulation around all sides and top



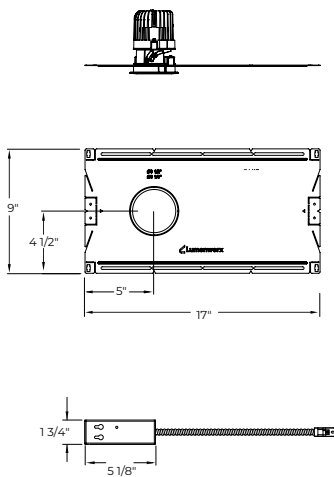
PMP + Bar Hanger - Remodel pre-mount plate

Minimum plenum height - 5" (FMB, ASB, ACB)
 Minimum 3" setback from insulation around all sides and top



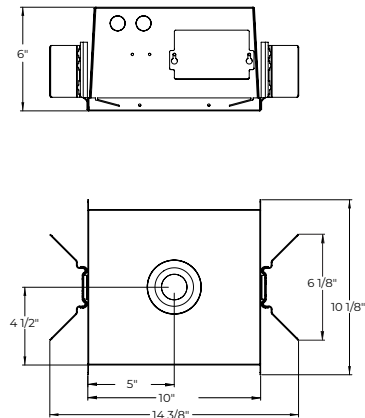
PMP + NA - Remodel pre-mount plate with no bar hangers

Minimum plenum height - 5"
 Minimum 3" setback from insulation around all sides and top



IC - Type-IC CP - Chicago Plenum Type-IC (CCEA) AT - Airtight Type-IC

Minimum plenum height - 6"
 No setback from insulation required



LIVV 2.5" DOWNLIGHT

ROUND RECESSED, ADJUSTABLE, WALL WASH



Housing Dimensions

Recessed Wall Wash

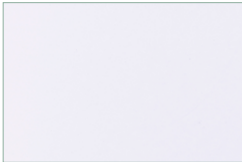

<p>RM - Remodel Type Non-IC</p>	<p>PMP + Bar Hanger - Remodel pre-mount plate</p>
<p>Minimum plenum height - 4" Minimum 3" setback from insulation around all sides and top</p>	<p>Minimum plenum height - 4" (FMB); 4 3/16" (ASB, ACB) Minimum 3" setback from insulation around all sides and top</p>
<p>PMP + NA - Remodel pre-mount plate with no bar hangers</p>	<p>IC - Type-IC CP - Chicago Plenum Type-IC (CCEA) AT - Airtight Type-IC</p>
<p>Minimum plenum height - 4" Minimum 3" setback from insulation around all sides and top</p>	<p>Minimum plenum height - 4 1/16" No setback from insulation required</p>

LIVV 2.5" DOWNLIGHT

ROUND RECESSED, ADJUSTABLE, WALL WASH



Trim Details

TRM - Flanged trim	DT - Drop trim	TLMP - Trimless drywall mudplate
TLMW - Trimless millwork	TRMWW - Flanged trim, wall wash	<div data-bbox="1182 1287 1528 1743"> <h3>Trim Finishes</h3>  <p>FTMW - Matte white</p>  <p>FTMB - Black white</p> </div>

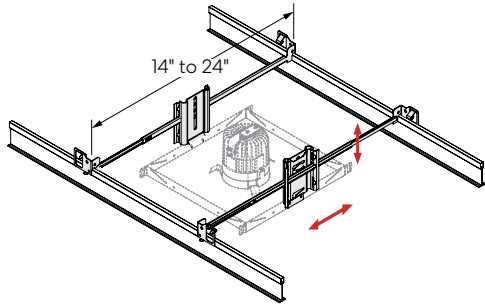
LIVV 2.5" DOWNLIGHT

ROUND RECESSED, ADJUSTABLE, WALL WASH



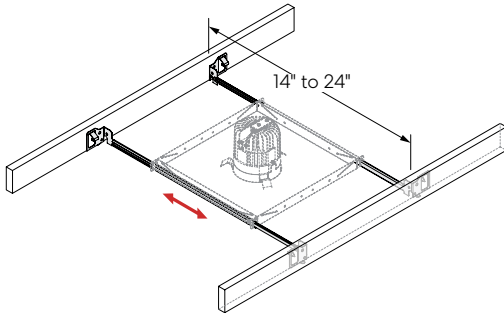
Mounting Options

ASB - Adjustable Standard Bar Hangers



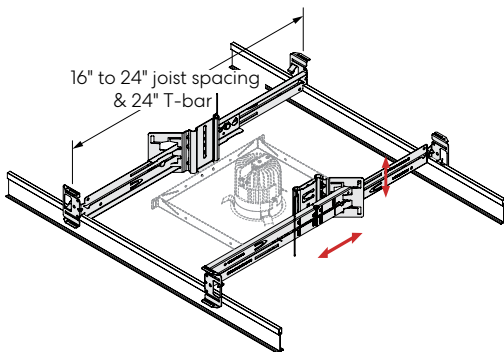
- Use in commercial and residential applications.
- Suitable for grid ceiling and drywall mounting.
- Adjustable to various heights.
- Joist spacing: 14" to 24".

FMB - Flush Mount Bars



- Use in residential applications.
- Suitable for wood, metal, and drywall mounting.
- Joist spacing: 14" to 24".

ACB - Adjustable Commercial Bar Hangers



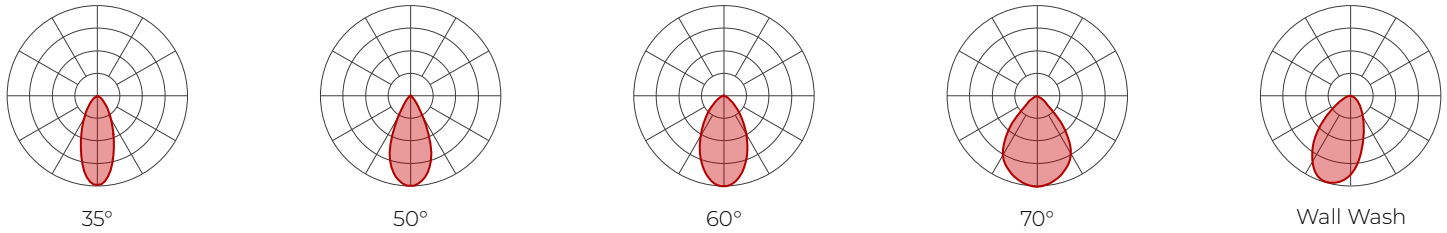
- Use in commercial and residential applications.
- Suitable for grid ceiling, drywall, metal, wood, and frame mounting.
- Adjustable to various heights.
- Fits into C-channel notches in a butterfly bracket.
- Joist spacing: 16" to 24". Extensions to 36" and 48" available, consult factory.
- T-bar spacing: 24".

LIVV 2.5" DOWNLIGHT

ROUND RECESSED , ADJUSTABLE, WALL WASH



Photometrics



Values calculated based on 3500K and 90+ CRI; 35°, 50°, 60° with clear Solite lens and 70° with frosted Solite lens. The light distribution will vary depending on trim style and baffle finish.

Recessed

WATTAGE	5 W		8 W		12 W	
	lm	lm/W	lm	lm/W	lm	lm/W
35°	521	104	809	101	1188	99
50°	579	116	899	112	1320	110
60°	556	111	863	108	1267	106
70°	562	112	872	109	1280	107

Recessed Adjustable

WATTAGE	5 W		8 W		12 W	
	lm	lm/W	lm	lm/W	lm	lm/W
35°	469	94	728	91	1069	89
50°	527	105	818	102	1201	100
60°	495	99	768	96	1128	94

Recessed Wall Wash

WATTAGE	5 W		8 W		12 W	
	lm	lm/W	lm	lm/W	lm	lm/W
Wall wash	464	93	720	90	1057	88

MULTIPLIER TABLE

Please follow the multiplier table to ensure correct lumen value. CCT will change the lumen value.

CCT	
2700K	0.9
3000K	0.95
3500K	1.0

LIVV 2.5" DOWNLIGHT

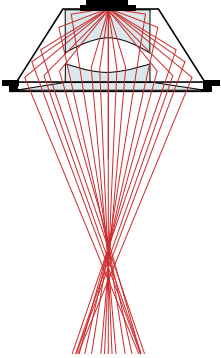
ROUND RECESSED, ADJUSTABLE, WALL WASH



Technical Specifications

OPTIC

XPoint™ Refraction Technology optics provide precise optical control in a remarkably compact form. Micro optical paths from the chip on board converge and then disperse in precise beam angles, resulting in a crisp and exacting light quality.



LIGHT SOURCE

Static white

Compact COB (Chip-On-Board) LED module, available in 2700K, 3000K, and 3500K with 90+ CRI, with an elevated R9 value. Color consistency is maintained to within 2 SDCM. All LEDs have been tested in accordance with IESNA LM-80-08 and the results have shown L80 lumen maintenance greater than 60,000 hours. Absolute product photometry is measured and presented in accordance with IESNA LM-79, unless otherwise indicated.

ELECTRICAL

Livv features LivvCore™ — our proprietary driver-on-board technology — for ease of installation and enhanced value. At maximum driver load: efficiency>84%, PF>0.9, THD<20%. ELV and TRIAC dimming performance (including minimum dimming percentage) subject to dimmer selection.

Integral: 0-10V, TRIAC

CONSTRUCTION

Housing

For new construction, 20 gauge powder coated steel. Open frame, type-IC rated. 18 gauge galvanized steel junction box with ½" trade size knockouts. Adjustable standard, flush mount, and adjustable commercial bar hangers are available as mounting options.

Ceiling thickness: 1/2" to 1 1/4"

Light element

LED module: Integral COB module. 90+ CRI and 2 SDCM. L80 > 60,000 hours.

Adjustability: Up to 30° tilt with the Recessed Adjustable model
XPoint™ Refraction Technology optic: Micro optical paths from the chip on board converge and then disperse in precise beam angles, resulting in a crisp and exacting light quality.

Thermal management: Die-cast aluminum heat sink to maximize thermal dissipation.

Baffle: Die-cast aluminum mounted with retaining spring clips

Trim style: Flanged trim, drop trim, trimless with mudplate, and trimless millwork

Finish: Matte white and matte black. Custom colors also available (provide RAL #).

WEIGHT

Remodel: 1.7 lbs - 0.8 kg

Premount plate: 3.0 lbs - 1.4 kg

Type-IC: 5.0 lbs - 2.3 kg

ENVIRONMENT

Ambient temperature at fixture location shall be within 0°C/32°F - 25°C/77°F, indoor dry or damp as well as outdoor damp use (canopies or marquees).

CERTIFICATIONS

ETL: Rated for indoor dry/damp locations. Conforms to UL Standard 1598 and certified to CAN/CSA Standard C22.2 No. 250.0.

IP44: IP44 rated for bathrooms, showers, outdoor canopies, and marquees when specified with the wet location (WET) option.

Chicago Plenum: City of Chicago approved (CCEA) when specified with CP installation type option.

IC rated: Suitable for direct contact with insulation when specified with IC, CP or AT installation type options.

WARRANTY

Lumenwerx provides a five-year limited warranty on electrical and mechanical performance of the luminaires, including the LED boards, drivers, and auxiliary electronics. Lumenwerx will repair or replace defective luminaires or components at our discretion, provided they have been installed and operated in accordance with our specifications. Other limitations apply, please refer to the full warranty on our website.