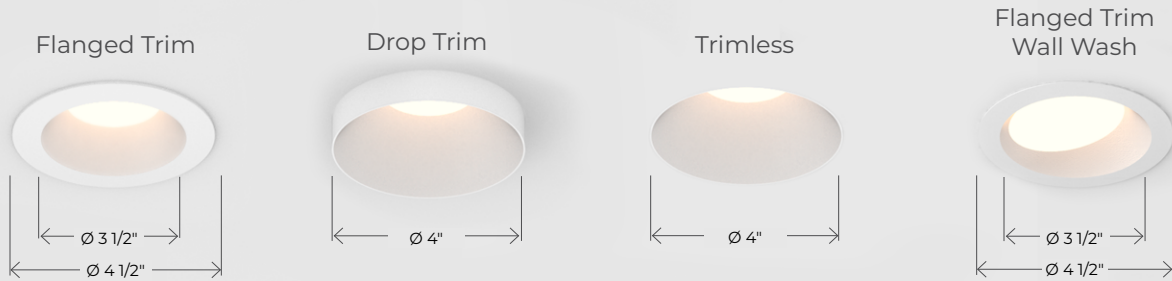


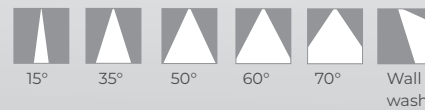
LIVV PLUS 3.5" DOWNLIGHT

ROUND RECESSED, ADJUSTABLE, WALL WASH



Designed for advanced performance, Livv Plus delivers expanded control capabilities with greater architectural flexibility. Like our base Livv luminaires, Livv Plus offers a quick-connect system and below-ceiling access for fast, contractor-friendly installation and easy maintenance. Available in 2.5" and 3.5" apertures with fixed, adjustable, and wall wash distributions. The collection also includes Livv (The Essentials), featuring downlight essentials in a clean architectural form.

Beam Angles



Light Source

Static White

SOLA

DUO



Performance

LUMEN OUTPUT ¹	WATTS	EFFICACY
889 lm	7 W	127 lm/W
1232 lm	10 W	123 lm/W
1690 lm	14 W	121 lm/W

¹ Values based on Livv Plus Recessed at 3500K, 90+ CRI, and 35° beam.



Livv Collection Brochure



LIVV PLUS 3.5" DOWNLIGHT ROUND RECESSED, ADJUSTABLE, WALL WASH



Project: _____

Type: _____

Order Guide - Static White

For SOLA Dim-to-Warm and DUO Tunable White order guide, see page 3

1 - Light

LUMINAIRE ID	TRIM STYLE ¹	TRIM FINISH	LIGHT SOURCE	BEAM
			SW	
LVP3.5RR - Livv Plus 3.5" Round Recessed LVP3.5RRA - Livv Plus 3.5" Round Recessed Adjustable LVP3.5RRWW - Livv Plus 3.5" Round Recessed Wall Wash	Recessed Recessed Adjustable TRM - Flanged trim DT - Drop trim TLMP - Trimless drywall mudplate TLMW - Trimless millwork ¹ See page 7 for more details.	Recessed Wall Wash TRMWW - Flanged trim, wall wash	FTMW - Matte white FTMB - Matte black CF# - Custom finish, specify RAL# ² 90+ CRI, 2-step.	Recessed Recessed Adjustable 15DEG - 15° Narrow spot 35DEG - 35° Narrow flood 50DEG - 50° Wide flood 60DEG - 60° Wide flood 70DEG ³ - 70° Very wide flood ³ Not available with Adjustable.
				Recessed Wall Wash WW - Wall wash

COLOR TEMP.	WATTAGE	VOLTAGE	DIMMING	OPTION
18K - 1800K 22K - 2200K 27K - 2700K 30K - 3000K 35K - 3500K 40K - 4000K 50K - 5000K	7W - 7 W output, up to 889 lm 10W - 10 W output, up to 1232 lm 14W - 14 W output, up to 1690 lm #W - Custom output, specify between 7 W and 14 W	120V - 120V 277V - 277V UNV - 120V-277V 347V ⁴ - 347V ⁴ Available with RD1 driver only. Please consult factory.	INTEGRAL D1 - 1% 0-10V ELV ⁵ - ELV 120V TRI ⁵ - TRIAC 120V DA ^{6,7} - DALI ELD1 ⁶ - eldoLED 1% ECOdrive 0-10V ELDO ⁶ - eldoLED 0.1% SOLOdrive 0-10V ⁵ Available with 120V only. ⁶ Not available with RM installation type. ⁷ On-site commissioning is required. ⁸ A remote driver box is provided. ⁹ To specify, add +EB to the selected dimming option, e.g. RD1+EB.	REMOTE ⁸ RD1 - 1% 0-10V RELV ⁵ - ELV 120V RTRI ⁵ - TRIAC 120V RLDE1 ⁷ - Lutron Hi-lume 1% Eco RDA ⁷ - DALI RELD1 - eldoLED 1% ECOdrive 0-10V RELDO - eldoLED 0.1% SOLOdrive 0-10V RDMX ⁷ - DMX +EB ⁹ - Emergency battery ¹⁰ Not available with Adjustable.
				WET ¹⁰ - Wet location NA - None

2 - Housing

LUMINAIRE ID	TRIM STYLE Specify same as Light	WATTAGE Specify same as Light	INSTALLATION TYPE ^{12,13}	MOUNTING OPTION ¹⁵
LVP3.5RRH - Livv Plus 3.5" Round Recessed LVP3.5RRAH - Livv Plus 3.5" Round Recessed Adjustable LVP3.5RRWH - Livv Plus 3.5" Round Recessed Wall Wash	Recessed Recessed Adjustable TRM - Flanged trim DT - Drop trim TLMP - Trimless drywall mudplate TLMW - Trimless millwork	Recessed Wall Wash TRMWW - Flanged trim, wall wash	7W - 7 W output, up to 889 lm 10W - 10 W output, up to 1232 lm 14W ¹¹ - 14 W output, up to 1690 lm #W - Custom output, specify between 7 W and 14 W ¹¹ Not available with IC/CP/AT.	RM - Remodel Type Non-IC PMP - Remodel pre-mount plate IC ¹⁴ - Type-IC CP ¹⁴ - Chicago Plenum Type-IC (CCEA) AT ¹⁴ - Airtight Type-IC ¹² See pages 4 to 6 for more details. ¹³ For concrete pour, consult factory. ¹⁴ Only available with 10 W or less.
				ASB ¹⁶ - Adjustable standard bar hangers FMB ¹⁶ - Flush mount bars ACB ¹⁶ - Adjustable commercial bar hangers NA - No bar hangers ¹⁵ See page 8 for more details. ¹⁶ Not available with RM installation type.



LIVV PLUS 3.5" DOWNLIGHT

ROUND RECESSED, ADJUSTABLE, WALL WASH



Project: _____

Type: _____

Order Guide - SOLA Dim-to-Warm and DUO Tunable White

For static white order guide, see page 2

1 - Light

LUMINAIRE ID	TRIM STYLE ¹		TRIM FINISH	LIGHT SOURCE	BEAM	
LVP3.5RR - Livv Plus 3.5" Round Recessed LVP3.5RRRA - Livv Plus 3.5" Round Recessed Adjustable LVP3.5RRWW - Livv Plus 3.5" Round Recessed Wall Wash	Recessed Recessed Adjustable TRM - Flanged trim DT - Drop trim TLMP - Trimless drywall mudplate TLMW - Trimless millwork	Recessed Wall Wash TRMWW - Flanged trim, wall wash	FTMW - Matte white FTMB - Matte black CF# - Custom finish, specify RAL#	SOLA - Dim-to-warm single channel control DUO - Tunable white 2-channel control	Recessed Recessed Adjustable 50DEG - 50° Wide flood 60DEG - 60° Wide flood	Recessed Wall Wash WW - Wall wash

¹ See page 7 for more details.

COLOR TEMPERATURE	WATTAGE	VOLTAGE	DIMMING	OPTION	
SOLA 30K18K - 3000K to 1800K 27K18K - 2700K to 1800K DUO 65K27K - 6500K to 2700K 50K27K - 5000K to 2700K	SOLA 14W - 14 W output, up to 1582 lm DUO 7W - 7 W output, up to 718 lm 10W - 10 W output, up to 1103 lm 14W - 14 W output, up to 1498 lm #W - Custom output, specify between 7 W and 14 W	120V - 120V 277V - 277V UNV - 120V-277V	INTEGRAL SOLA ² SDI - Single 0-10V input DUO DDI - Dual 0-10V input for CCT/intensity	REMOTE ³ SOLA ² RSDI - Single 0-10V input DUO RDMX ⁴ - DMX RDDA ⁴ - DALI DT6 RDDA8 ⁴ - DALI DT8 RDDI - Dual 0-10V input for CCT/intensity RLD2 ⁴ - Lutron DALI-2 digital	WET ⁵ - Wet location NA - None ⁵ Not available with Adjustable.

² For ELV/TRIAC, consult factory.
³ A remote driver box is provided.
⁴ On-site commissioning is required.

2 - Housing

LUMINAIRE ID	TRIM STYLE Specify same as Light		WATTAGE Specify same as Light	INSTALLATION TYPE ^{7,8}	MOUNTING OPTION ¹⁰
LVP3.5RRH - Livv Plus 3.5" Round Recessed LVP3.5RRAH - Livv Plus 3.5" Round Recessed Adjustable LVP3.5RRWWH - Livv Plus 3.5" Round Recessed Wall Wash	Recessed Recessed Adjustable TRM - Flanged trim DT - Drop trim TLMP - Trimless drywall mudplate TLMW - Trimless millwork	Recessed Wall Wash TRMWW - Flanged trim, wall wash	SOLA 14W ⁶ - 14 W output, up to 1582 lm DUO 7W - 7 W output, up to 718 lm 10W - 10 W output, up to 1103 lm 14W ⁶ - 14 W output, up to 1498 lm #W - Custom output, specify between 7 W and 14 W ⁶ Not available with IC/CP/AT.	RM - Remodel Type Non-IC PMP - Remodel pre-mount plate IC ⁹ - Type-IC CP ⁹ - Chicago Plenum Type-IC (CCEA) AT ⁹ - Airtight Type-IC ⁷ See pages 4 to 6 for more details. ⁸ For concrete pour, consult factory. ⁹ Only available with 10 W or less.	ASB ¹¹ - Adjustable standard bar hangers FMB ¹¹ - Flush mount bars ACB ¹¹ - Adjustable commercial bar hangers NA - No bar hangers ¹⁰ See page 8 for more details. ¹¹ Not available with RM installation type.



LIVV PLUS 3.5" DOWNLIGHT

ROUND RECESSED, ADJUSTABLE, WALL WASH



Housing Dimensions

Recessed

<p>RM - Remodel Type Non-IC</p> <p>Minimum plenum height - 4" Minimum 3" setback from insulation around all sides and top</p> <p>INTEGRAL: 3 1/2" height, 8 5/8" length, 2 1/4" offset</p> <p>REMOTE: 3 1/2" height, LOW VOLTAGE SPLICE BOX, REMOTE DRIVER BOX</p>	<p>PMP + Bar Hanger - Remodel pre-mount plate</p> <p>Minimum plenum height - 4" (FMB); 4 3/16" (ASB, ACB) Minimum 3" setback from insulation around all sides and top</p> <p>6 1/8" height, 17" width, 19 13/16" total width, 9" depth, 4 1/2" offset, 1 3/4" bar hanger height, 5 1/8" bar hanger length</p>
<p>PMP + NA - Remodel pre-mount plate with no bar hangers</p> <p>Minimum plenum height - 4" Minimum 3" setback from insulation around all sides and top</p> <p>17" width, 9" depth, 4 1/2" offset, 1 3/4" bar hanger height, 5 1/8" bar hanger length</p>	<p>IC - Type-IC CP - Chicago Plenum Type-IC (CCEA) AT - Airtight Type-IC</p> <p>Minimum plenum height - 4 1/16" No setback from insulation required</p> <p>4 1/16" height, 10 1/8" depth, 6 1/8" offset, 5" width, 14 3/8" total width</p>

LIVV PLUS 3.5" DOWNLIGHT

ROUND RECESSED, ADJUSTABLE, WALL WASH



Housing Dimensions

Recessed Adjustable

<p>RM - Remodel Type Non-IC</p> <p>Minimum plenum height - 5" Minimum 3" setback from insulation around all sides and top</p>	<p>PMP + Bar Hanger - Remodel pre-mount plate</p> <p>Minimum plenum height - 5" (FMB, ASB, ACB) Minimum 3" setback from insulation around all sides and top</p>
<p>PMP + NA - Remodel pre-mount plate with no bar hangers</p> <p>Minimum plenum height - 5" Minimum 3" setback from insulation around all sides and top</p>	<p>IC - Type-IC CP - Chicago Plenum Type-IC (CCEA) AT - Airtight Type-IC</p> <p>Minimum plenum height - 6" No setback from insulation required</p>

LIVV PLUS 3.5" DOWNLIGHT

ROUND RECESSED, ADJUSTABLE, WALL WASH



Housing Dimensions

Recessed Wall Wash

<p>RM - Remodel Type Non-IC</p>	<p>PMP + Bar Hanger - Remodel pre-mount plate</p>
<p>Minimum plenum height - 4" Minimum 3" setback from insulation around all sides and top</p>	<p>Minimum plenum height - 4" (FMB); 4 3/16" (ASB, ACB) Minimum 3" setback from insulation around all sides and top</p>

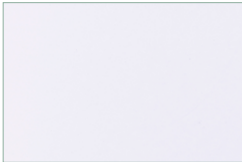

<p>PMP + NA - Remodel pre-mount plate with no bar hangers</p>	<p>IC - Type-IC CP - Chicago Plenum Type-IC (CCEA) AT - Airtight Type-IC</p>
<p>Minimum plenum height - 4" Minimum 3" setback from insulation around all sides and top</p>	<p>Minimum plenum height - 4 1/16" No setback from insulation required</p>

LIVV PLUS 3.5" DOWNLIGHT

ROUND RECESSED, ADJUSTABLE, WALL WASH



Trim Details

TRM - Flanged trim	DT - Drop trim	TLMP - Trimless drywall mudplate
TLMW - Trimless millwork	TRMWW - Flanged trim, wall wash	<div data-bbox="1182 1285 1528 1743"> <p>Trim Finishes</p>  <p>FTMW - Matte white</p>  <p>FTMB - Black white</p> </div>

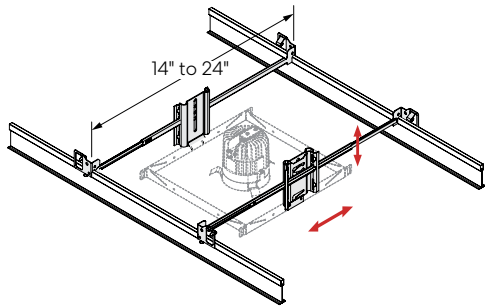
LIVV PLUS 3.5" DOWNLIGHT

ROUND RECESSED, ADJUSTABLE, WALL WASH



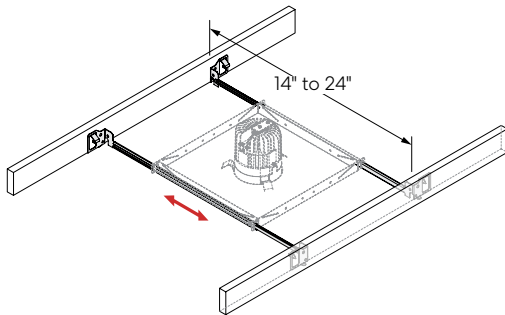
Mounting Options

ASB - Adjustable Standard Bar Hangers



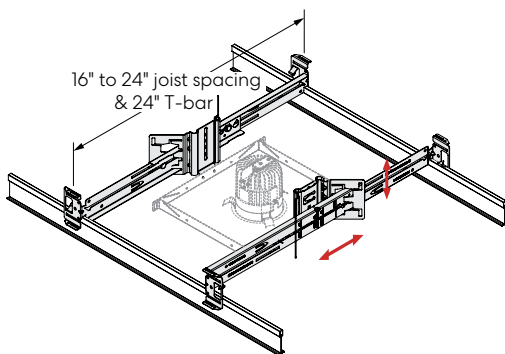
- Use in commercial and residential applications.
- Suitable for grid ceiling and drywall mounting.
- Adjustable to various heights.
- Joist spacing: 14" to 24".

FMB - Flush Mount Bars



- Use in residential applications.
- Suitable for wood, metal, and drywall mounting.
- Joist spacing: 14" to 24".

ACB - Adjustable Commercial Bar Hangers



- Use in commercial and residential applications.
- Suitable for grid ceiling, drywall, metal, wood, and frame mounting.
- Adjustable to various heights.
- Fits into C-channel notches in a butterfly bracket.
- Joist spacing: 16" to 24". Extensions to 36" and 48" available, consult factory.
- T-bar spacing: 24".

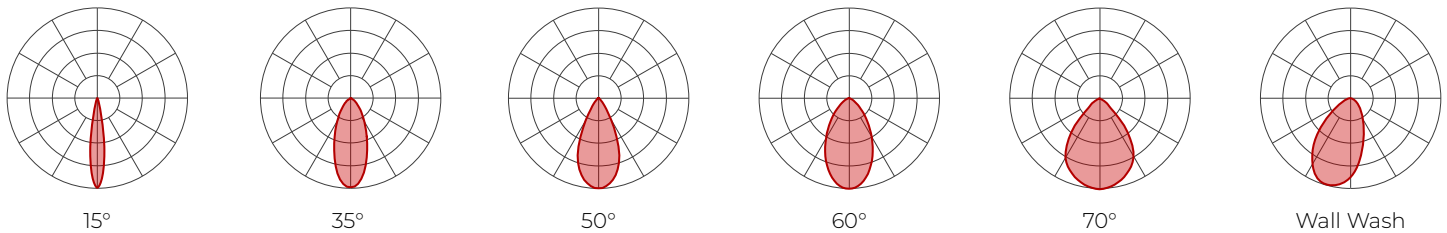
LIVV PLUS 3.5" DOWNLIGHT

ROUND RECESSED , ADJUSTABLE, WALL WASH



Photometrics

Static White



Values calculated based on 3500K and 90+ CRI; 15°, 35°, 50°, 60° with clear Solite lens and 70° with frosted Solite lens. The light distribution will vary depending on trim style and baffle finish.

Recessed

WATTAGE	7 W		10 W		14 W		
	Beam	lm	lm/W	lm	lm/W	lm	lm/W
15°		737	105	1021	102	1400	100
35°		889	127	1232	123	1690	121
50°		880	126	1220	122	1673	119
60°		845	121	1171	117	1606	115
70°		854	122	1183	118	1623	116

Recessed Adjustable

WATTAGE	7 W		10 W		14 W		
	Beam	lm	lm/W	lm	lm/W	lm	lm/W
15°		531	76	735	74	1008	72
35°		658	94	912	91	1250	89
50°		643	92	891	89	1221	87
60°		609	87	843	84	1156	83

Recessed Wall Wash

WATTAGE	7 W		10 W		14 W		
	Beam	lm	lm/W	lm	lm/W	lm	lm/W
Wall wash		720	103	997	100	1368	98

MULTIPLIER TABLE

Please follow the multiplier table to ensure correct lumen value. CCT will change the lumen value.

CCT	
1800K	0.82
2200K	0.85
2700K	0.9
3000K	0.95
3500K	1.0
4000K	1.03
5000K	1.05

LIVV PLUS 3.5" DOWNLIGHT

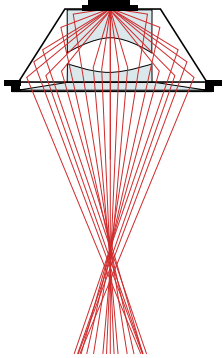
ROUND RECESSED, ADJUSTABLE, WALL WASH



Technical Specifications

OPTIC

XPoint™ Refraction Technology optics provide precise optical control in a remarkably compact form. Micro optical paths from the chip on board converge and then disperse in precise beam angles, resulting in a crisp and exacting light quality.



LIGHT SOURCE

Static white

Compact COB (Chip-On-Board) LED module, available in 1800K, 2200K, 2700K, 3000K, 3500K, 4000K, and 5000K with 90+ CRI, with an elevated R9 value. Color consistency is maintained to within 2 SDCM. All LEDs have been tested in accordance with IESNA LM-80-08 and the results have shown L80 lumen maintenance greater than 60,000 hours. Absolute product photometry is measured and presented in accordance with IESNA LM-79, unless otherwise indicated.

Chromawerx SOLA

Chromawerx SOLA is single-channel control that dims output while warming the color temperature in a pre-determined relationship. Two color temperature range options are offered: 3000K to 1800K, and 2700K to 1800K. A simple analog control adjusts a specially populated LED array to emulate the effect of dimming a filament source.

Chromawerx DUO

Chromawerx DUO offers a two-channel control system which uses analog or digital protocols for synchronous control of both cool to warm LED arrays - maintaining a CRI above 90. Two color temperature range options are offered: 6500K to 2700K, and 5000K to 2700K. The range of color DUO offers is useful for entraining circadian rhythms, stimulating alertness, and compensating for jet lag among other applications. The Chromawerx drivers are programmed to limit maximum light output and power usage across all color temperatures. When paired with DALI drivers (DDA/DDA8), color tuning follows a linear dimming curve.

ELECTRICAL

Unless otherwise specified, dimming down to 1%. At maximum driver load: efficiency>84%, PF>0.9, THD<20%. ELV and TRIAC dimming performance (including minimum dimming percentage) subject to dimmer selection.

Integral: 0-10V, ELV, TRIAC, DALI, eldoLED 0.1% SOLOdrive 0-10V, eldoLED 1% ECOdrive 0-10V

Remote: 0-10V, ELV, TRIAC, DALI, Lutron Hi-Lume 1% EcoSystem, eldoLED 0.1% SOLOdrive 0-10V, eldoLED 1% ECOdrive 0-10V, DMX, Lutron DALI-2 digital

Emergency battery options: Remotely-installed, long-life, high-temperature, maintenance-free, Bodine Lithium-Ion battery pack with self-test functionality, test switch and charge indicator. IOTA and Fulham options available upon request. Minimum of 90 minutes operation, and recharge time of 24 hours. For fixtures less than 10 W, the battery provides 6 W of emergency light output. For fixtures 10 W and over, the battery provides 10 W.

CONSTRUCTION

Housing

For new construction, 20 gauge powder coated steel. Open frame, type-IC rated. 18 gauge galvanized steel junction box with ½" trade size knockouts. Adjustable standard, flush mount, and adjustable commercial bar hangers are available as mounting options.

Ceiling thickness: 1/2" to 1 1/4"

Light element

LED module: Integral COB module. 90+ CRI and 2 SDCM. L80 > 60,000 hours.

Adjustability: Up to 30° tilt with the Recessed Adjustable model

XPoint™ Refraction Technology optic: Micro optical paths from the chip on board converge and then disperse in precise beam angles, resulting in a crisp and exacting light quality.

Thermal management: Die-cast aluminum heat sink to maximize thermal dissipation.

Baffle: Die-cast aluminum mounted with retaining spring clips

Trim style: Flanged trim, drop trim, trimless with mudplate, and trimless millwork

Finish: Matte white and matte black. Custom colors also available (provide RAL #).

IC rated: Suitable for direct contact with insulation when specified with IC, CP or AT installation type options.

WEIGHT

Remodel: 1.3 lbs - 0.6 kg

Premount plate: 2.6 lbs - 1.2 kg

Type-IC: 6.6 lbs - 3.0 kg

LIVV PLUS 3.5" DOWNLIGHT

ROUND RECESSED , ADJUSTABLE, WALL WASH



ENVIRONMENT

Ambient temperature at fixture location shall be within 0°C/32°F - 25°C/77°F, indoor dry or damp as well as outdoor damp use (canopies or marquees).

CERTIFICATIONS

ETL: Rated for indoor dry/damp locations. Conforms to UL Standard 1598 and certified to CAN/CSA Standard C22.2 No. 250.0.

IP44: IP44 rated for bathrooms, showers, outdoor canopies, and marquees when specified with the wet location (WET) option.

Chicago Plenum: City of Chicago approved (CCEA) when specified with CP installation type option.

IC rated: Suitable for direct contact with insulation when specified with IC, CP or AT installation type options.

WARRANTY

Lumenwerx provides a five-year limited warranty on electrical and mechanical performance of the luminaires, including the LED boards, drivers, and auxiliary electronics. Lumenwerx will repair or replace defective luminaires or components at our discretion, provided they have been installed and operated in accordance with our specifications. Other limitations apply, please refer to the full warranty on our website.