

LIVV PLUS DOWNLIGHT

Type-IC (IC), Chicago Plenum (CP), Airtight (AT)



INSTALLATION INSTRUCTIONS

! This product must be installed in accordance with the National Electrical Code and all applicable local codes, by a person familiar with the construction and operation of the product, and the hazards involved. Proper grounding is required for safety.

Ce produit doit être installé suivant le code national de l'électricité, ainsi que tous les codes locaux applicables, par une personne familière avec la construction et le fonctionnement du produit, ainsi que tous les risques qui y sont associés. La mise à terre électrique est obligatoire pour la sécurité.

! Disconnect power before installation or servicing.

! Wire dimming conductors as Class 1.

! Do not cover the light element lens or heatsink with any materials or adhesive tapes when the fixture is powered.

! A luminaire with more than one power supply connection means shall be connected to only one branch circuit.

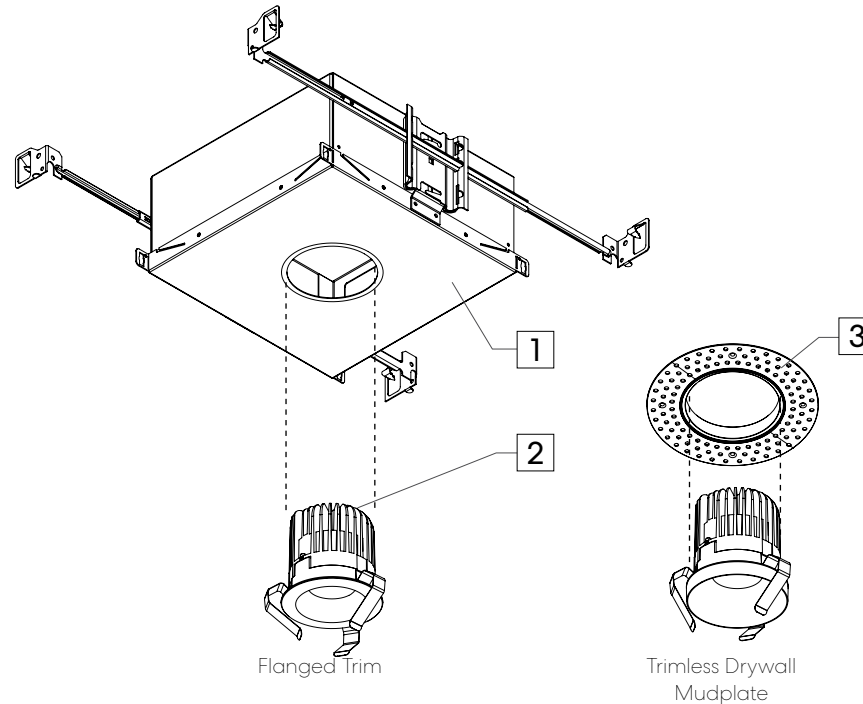
! For electrical connections, please refer to the [wiring diagram guide](#).



! For remote driver box installation instructions, please refer to the [remote driver installation sheet](#).



! Installation steps are shown with LIVV 2.5", also applicable for LIVV 3.5".



INDEX

Bar Hanger	P2
Electrical Connection	P2
Ceiling Preparation	P3
Light Element	P4

ITEMS LIST

1	Mounting frame
2	Light element
3	Mudplate

TOOLS REQUIRED

- Phillips screwdriver
- Hole saw
- Router



LIVV PLUS DOWNLIGHT

Type-IC (IC), Chicago Plenum (CP), Airtight (AT)



BAR HANGER INSTALLATION



For mounting installation instruction, please refer to the [downlight mounting option guide](#).

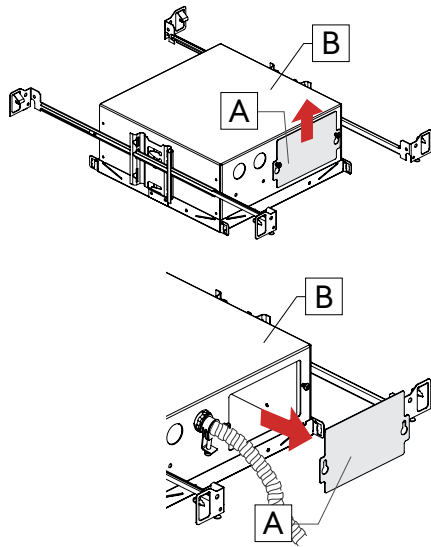


ELECTRICAL CONNECTION

1 REMOVE COVER.

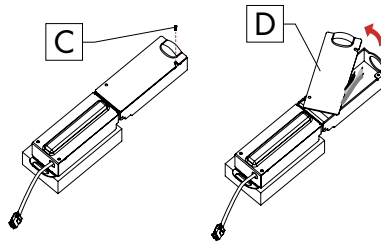
Remove the cover [A] from the box [B].

Note: For Chicago Plenum, remove the gasket also.



2 MAKE ELECTRICAL CONNECTIONS.

Unfasten screw [C] and pivot the cover of the driver box [D].

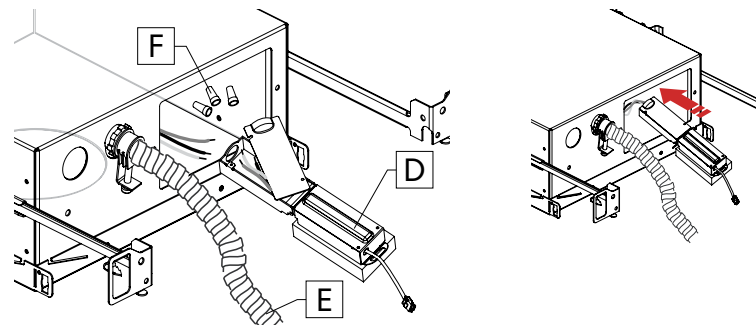


Install main power cable [E] to knockout and make the electrical connections between main power cable [E] and the driver box [D] with wire nuts [F].

Reinstall the cover of the driver box [D] by pivoting it back into place, and tighten the screw [C] to secure.

Insert back the driver box into the housing.

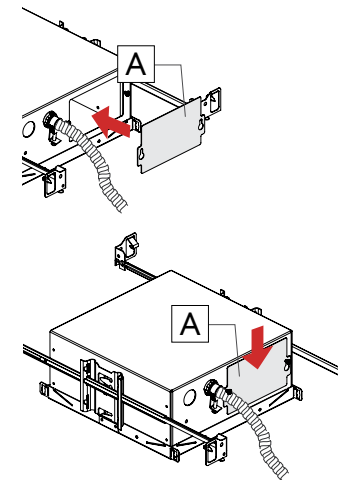
Note: Number of wires may vary. For electrical connections, please refer to the [wiring diagram guide](#).



3 REINSTALL COVER.

Reinstall cover [A] of the mounting box.

Note: For Chicago Plenum, reinstall the gasket also.



LIVV PLUS DOWNLIGHT

Type-IC (IC), Chicago Plenum (CP), Airtight (AT)

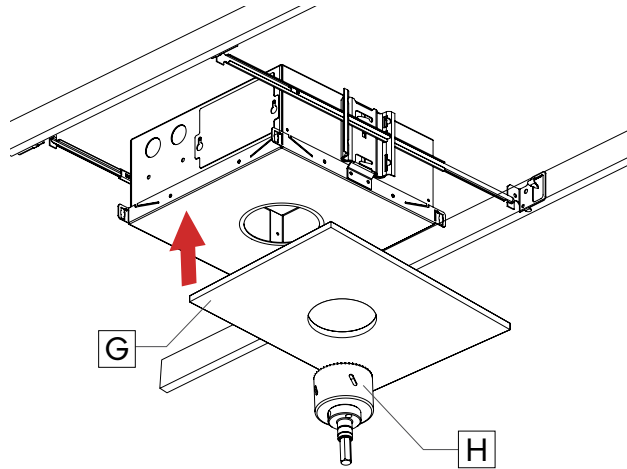


CEILING PREPARATION

1 PREPARE CEILING.

DRYWALL CEILING

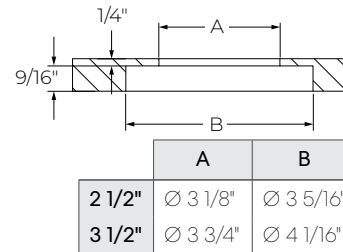
Cut opening in drywall ceiling [G] with hole saw [H].



	TRM	TLD	TLMP
2 1/2"	Ø 3 1/8"	Ø 3 1/8"	Ø 3 1/2"
3 1/2"	Ø 4 1/8"	Ø 3 1/2"	Ø 4 1/4"

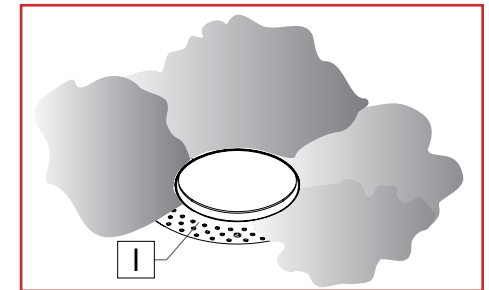
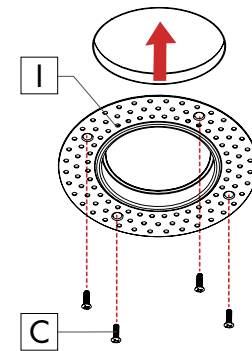
MILLWORK CEILING

Cut opening in wood ceiling with a router. See diagram below for dimensions needed to create the opening.



TRIMLESS MUDPLATE

Attach mudplate [I] to ceiling and fix with screws [C] onto ceiling. Plaster and sand over mudplate [I].



LIVV PLUS DOWNLIGHT

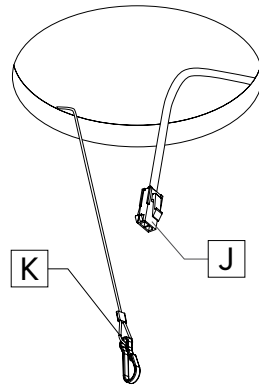
Type-IC (IC), Chicago Plenum (CP), Airtight (AT)



LIGHT ELEMENT

1 LOWER CONNECTOR'S CABLE.

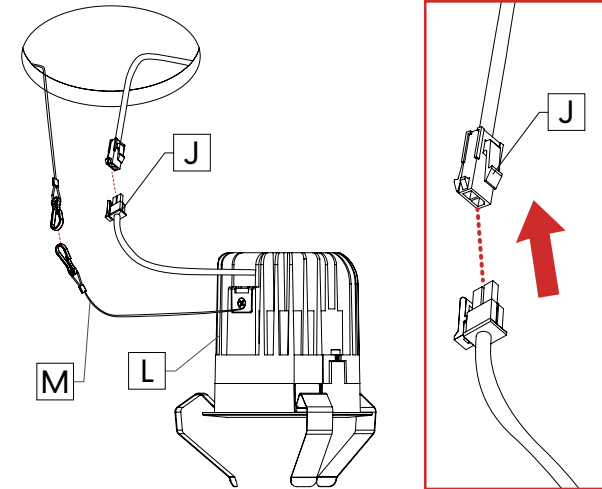
Bring down the quick connect [J] and the safety cable [K] from the ceiling opening.



2 MAKE ELECTRICAL CONNECTIONS.

Bring the light element [L] closer to the ceiling. Connect the light element [L] to driver in housing with quick connectors [J].

Attach safety cable [M] from the housing to the light element [L].

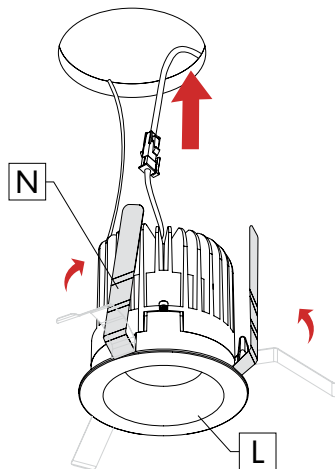


3 INSTALL LIGHT ELEMENT.

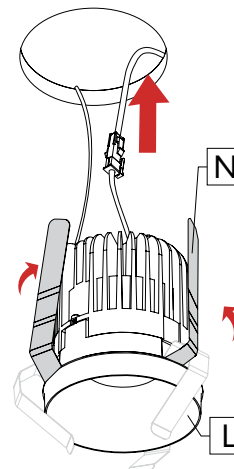
Squeeze the spring clips [N] upwards on the light fixture.

Insert the light element [L] into the opening until spring clips snap back above the ceiling in the housing.

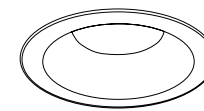
FLANGED TRIM OR DROP TRIM



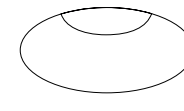
TRIMLESS MUDPLATE



FLANGED TRIM



TRIMLESS MUDPLATE



DROP TRIM

