

LIVV PLUS DOWNLIGHT

Remodel Pre-mount Plate (PMP)



INSTALLATION INSTRUCTIONS

! This product must be installed in accordance with the National Electrical Code and all applicable local codes, by a person familiar with the construction and operation of the product, and the hazards involved. Proper grounding is required for safety.

Ce produit doit être installé suivant le code national de l'électricité, ainsi que tous les codes locaux applicables, par une personne familière avec la construction et le fonctionnement du produit, ainsi que tous les risques qui y sont associés. La mise à terre électrique est obligatoire pour la sécurité.

! Disconnect power before installation or servicing.

! Wire dimming conductors as Class 1.

! Do not cover the light element lens or heatsink with any materials or adhesive tapes when the fixture is powered.

! A luminaire with more than one power supply connection means shall be connected to only one branch circuit.

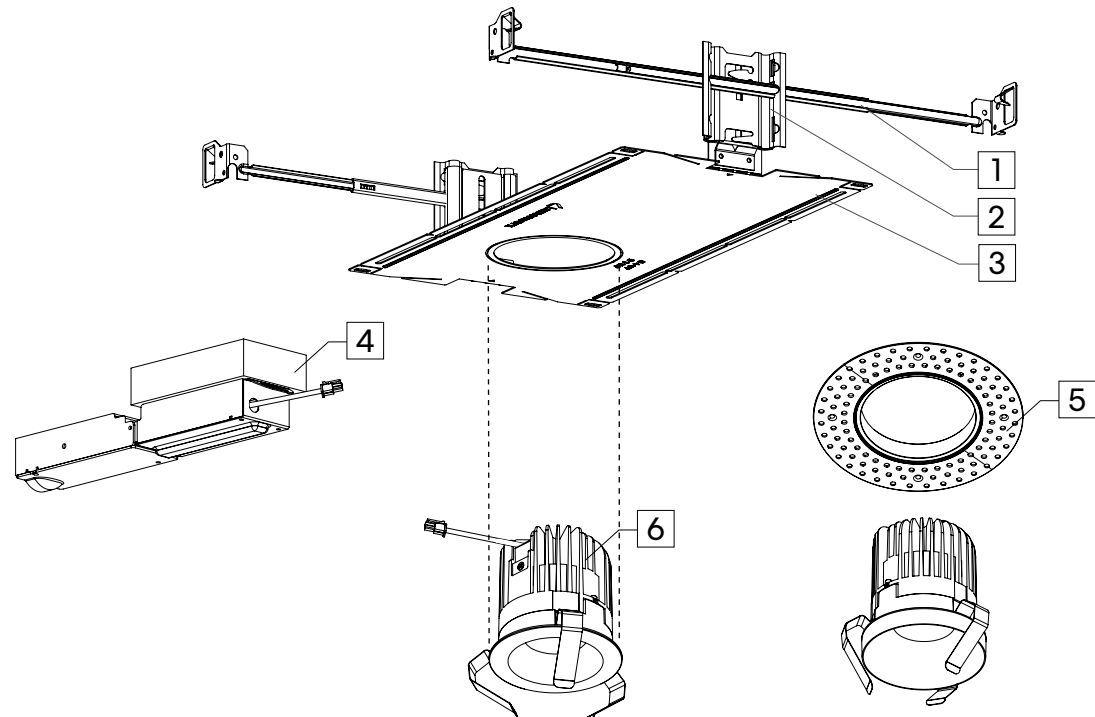
! For electrical connections, please refer to the [wiring diagram guide](#).



! For remote driver box installation instructions, please refer to the [remote driver installation sheet](#).



! Installation steps are shown with LIVV 2.5", also applicable for LIVV 3.5".



Trimless Drywall Mudplate

INDEX

Installation type.....	P.2
Housing installation.....	P.3
Ceiling Preparation.....	P.5
Installation.....	P.6

ITEMS LIST

1	Bar hangers
2	Caterpillar bracket
3	Pre-mount plate
4	Driver enclosure
5	Trimless drywall Mudplate
6	Light element

TOOLS REQUIRED

- Phillips screwdriver
- Hole saw



LIVV PLUS DOWNLIGHT

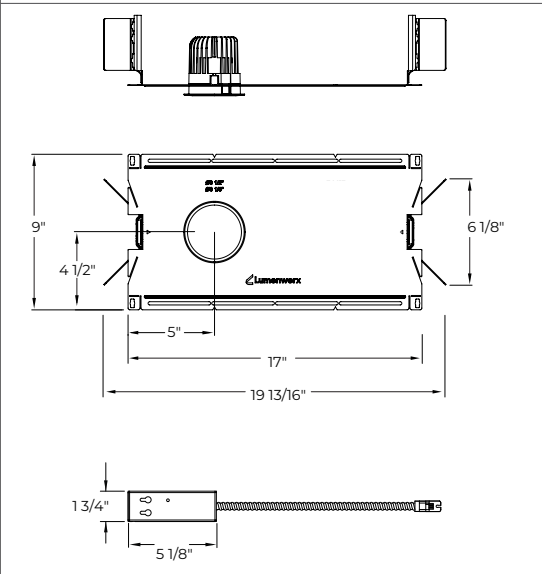
Remodel Pre-mount Plate (PMP)



INSTALLATION TYPE

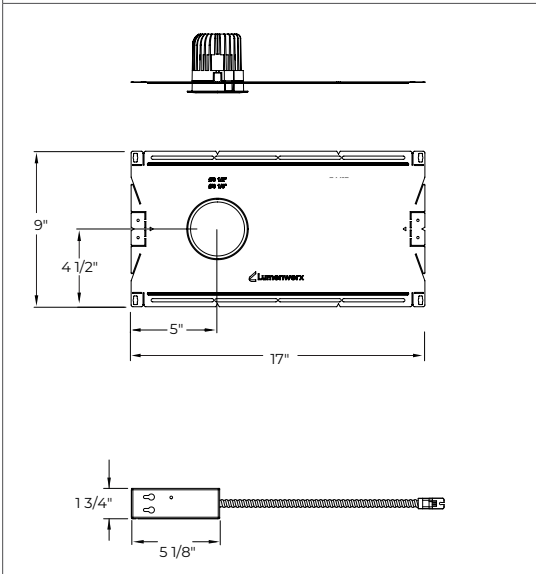
PMP + BAR HANGER - REMODEL PRE-MOUNT PLATE

Minimum plenum height - 4" (FMB); 4 3/16" (ASB, ACB)
 Minimum 3" setback from insulation around all sides and top

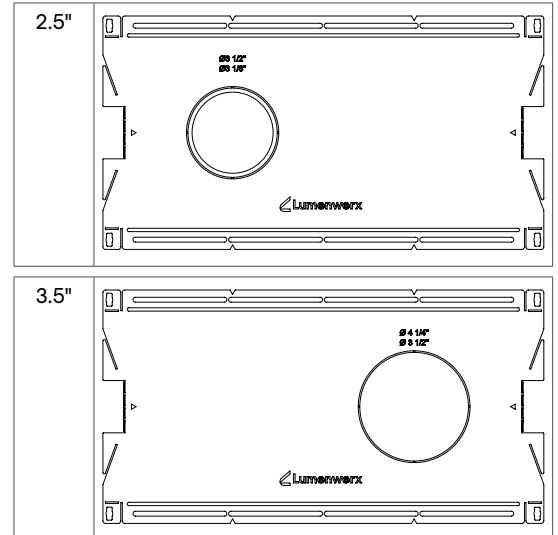


PMP + NA - REMODEL PRE-MOUNT PLATE WITHOUT BAR HANGERS

Minimum plenum height - 4"
 Minimum 3" setback from insulation around all sides and top



PRE-MOUNT PLATE



Each plate has the same dimensions overall. The opening hole for the light element will be provided depending on the model required.

LIVV PLUS DOWNLIGHT

Remodel Pre-mount Plate (PMP)



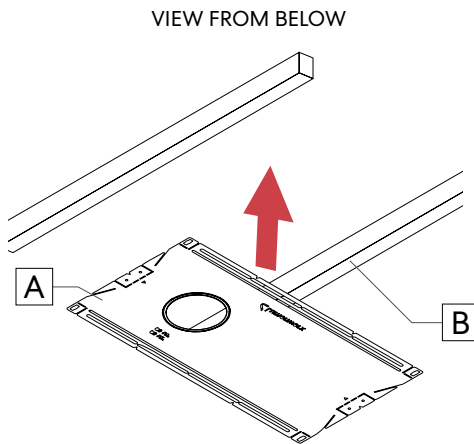
HOUSING INSTALLATION - PRE-MOUNT PLATE ONLY

1 POSITION PRE-MOUNT PLATE.

Position the pre-mount plate [A] approximately between ceiling supports [B] according to desired installation location.

Note: Make sure the face with the markings is facing down, for easier reading from below.

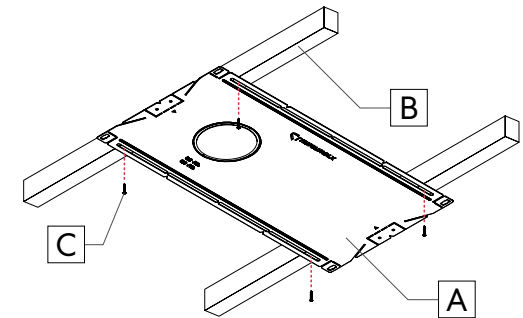
Note: Make sure the required opening in the pre-mount plate is not covered by a support beam.



2 INSTALL PRE-MOUNT PLATE.

Secure the pre-mount plate [A] on the ceiling support [B] with nails or screws [C] at the slots opening. The pre-mount plate position can be slightly adjusted with the slots opening.

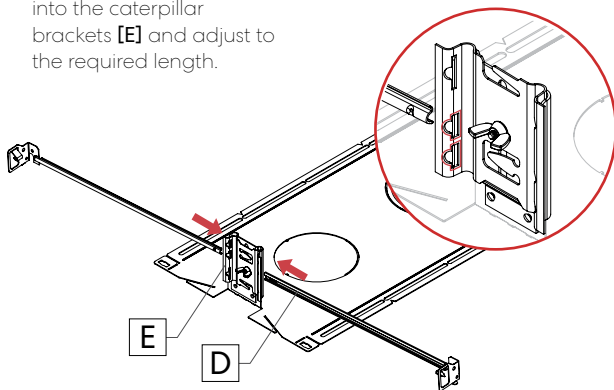
Note: Do not overtighten screws.



HOUSING INSTALLATION - PRE-MOUNT PLATE WITH ADJUSTABLE BAR HANGERS (ASB)

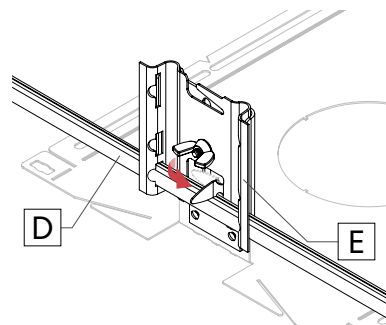
1 INSTALL BAR HANGER.

Slide the bar hangers [D] into the caterpillar brackets [E] and adjust to the required length.



2 SECURE BAR HANGER.

Lock bar hangers [D] in place by twisting the caterpillar bracket's [E] tabs outwards with pliers.



3 HOUSING INSTALLATION.

See housing installation section at page 7 and 8 of the [downlight mounting option guide](#) for the last step of the installation.



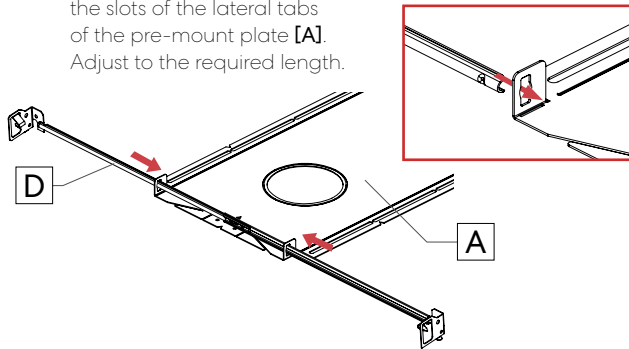
LIVV PLUS DOWNLIGHT

Remodel Pre-mount Plate (PMP)

HOUSING INSTALLATION - PRE-MOUNT PLATE WITH FLUSH MOUNT BARS (FMB)

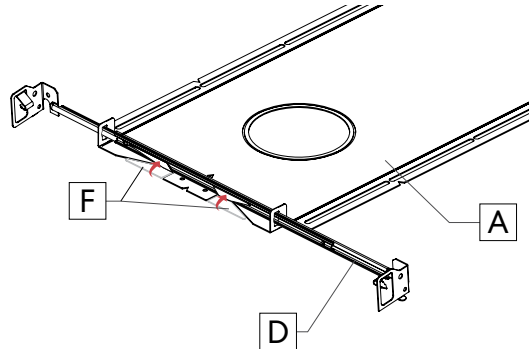
1 INSTALL BAR HANGERS.

Slide the bar hangers [D] into the slots of the lateral tabs of the pre-mount plate [A]. Adjust to the required length.



2 SECURE BAR HANGERS.

Lock flush bar hangers [D] in place by twisting the V shaped tabs [F] upwards on the pre-mount pan [A] with pliers.



3 HOUSING INSTALLATION.

See housing installation section at page 7 and 8 of the [downlight mounting option guide](#) for the last step of the installation.



HOUSING INSTALLATION - ADJUSTABLE COMMERCIAL BAR HANGERS (ACB)

1 INSTALLATION.



Install the housing by referring to the installation instructions in the [downlight mounting option guide](#).



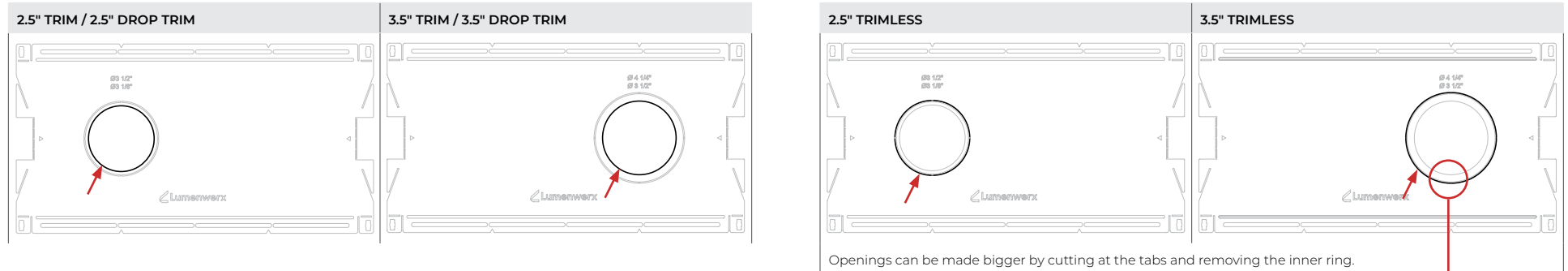
Note: Visual representation may differ. Follow both the bar hanger installation section and the housing installation for ACB.

LIVV PLUS DOWNLIGHT

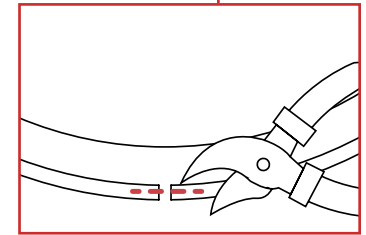
Remodel Pre-mount Plate (PMP)



CEILING PREPARATION



Openings can be made bigger by cutting at the tabs and removing the inner ring.

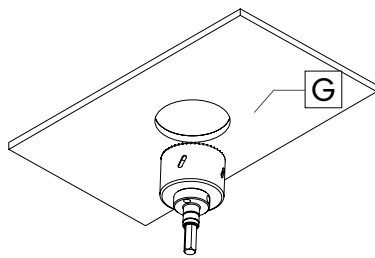


1 PREPARE CEILING.

DRYWALL CEILING

Cut hole opening [G] in ceiling, according to shape and dimensions shown in table below.

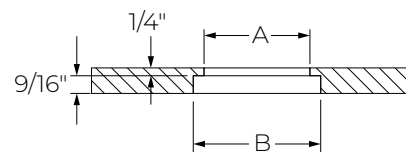
Note: Refer to the table on the left to determine which opening to use for the chosen trim.



	TRM	TLD	TLMP
2 1/2"	Ø 3 1/8"	Ø 3 1/8"	Ø 3 1/2"
3 1/2"	Ø 3 3/4"	Ø 3 1/2"	Ø 4 1/4"

MILLWORK CEILING

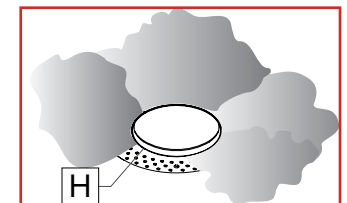
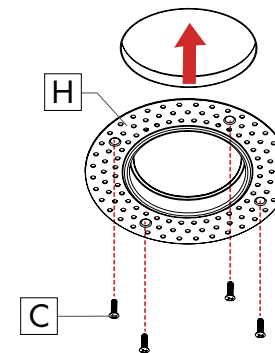
Cut opening in wood ceiling with a router. See diagram below for dimensions need to create the opening.



	A	B
2 1/2"	Ø 3 1/8"	Ø 3 5/16"
3 1/2"	Ø 3 3/4"	Ø 4 1/16"

TRIMLESS MUDPLATE

Attach mudplate [H] to ceiling and fix with screws [C]. Plaster and sand over mudplate [H].



LIVV PLUS DOWNLIGHT

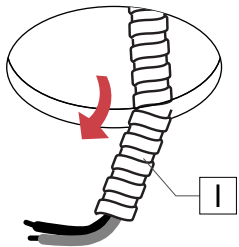
Remodel Pre-mount Plate (PMP)



INSTALLATION

1 LOWER ARMoured CABLE.

Bring main power cable [I] from the ceiling opening.

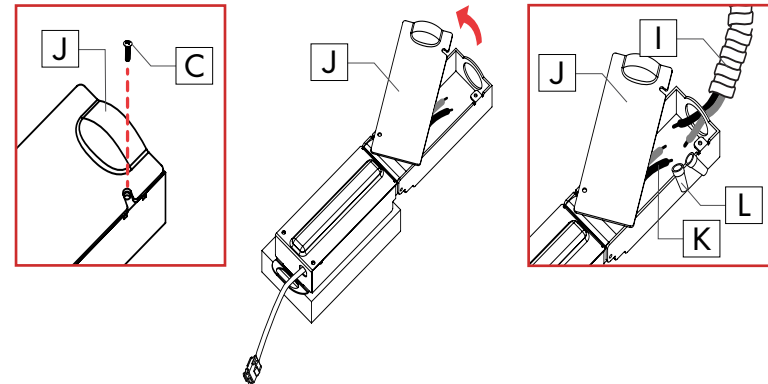


2 MAKE ELECTRICAL CONNECTIONS.

Unfasten screw [C] and pivot the cover [J] of the driver box. Make electrical connections between main power cable [I] and driver cables [K] with wire nuts [L].

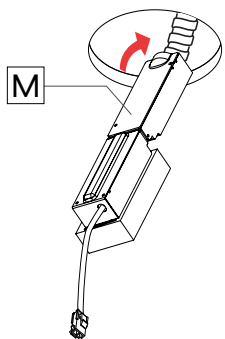
Reinstall the cover [J] by pivoting it back into place, and tighten the screw [C] to secure the cover [J].

Note: Number of wires may vary. For electrical connections, please refer to the [wiring diagram guide](#).



3 INSERT DRIVER.

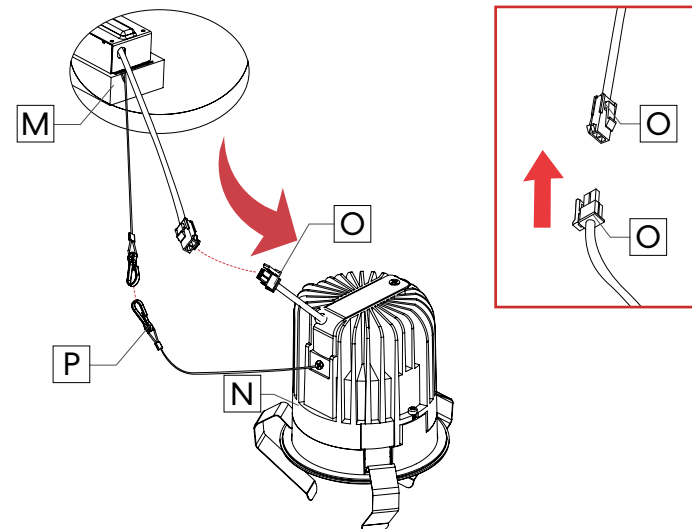
Place the driver [M] into the ceiling.



4 CONNECT LIGHT ELEMENT.

Bring the light element [N] closer to the ceiling. Connect the light element [N] to driver [M] in ceiling with quick connectors [O].

Attach the safety cable [P] to the driver box's cable [M].



LIVV PLUS DOWNLIGHT

Remodel Pre-mount Plate (PMP)

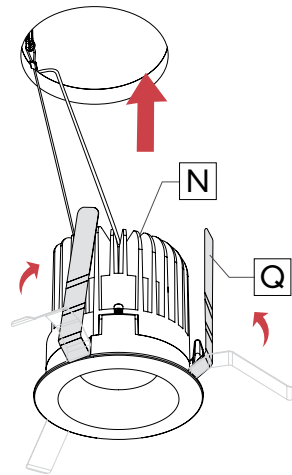


INSTALLATION

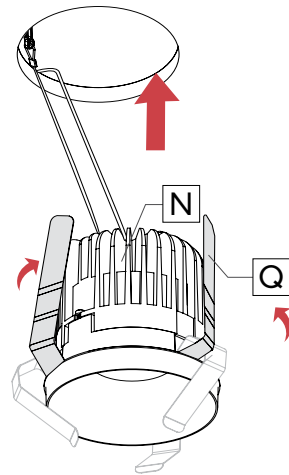
5 INSTALL LIGHT ELEMENT.

Squeeze the spring clips [Q] upwards on the light element [N]. Insert the light element [N] into the opening until spring clips [Q] snap back above the ceiling in the housing.

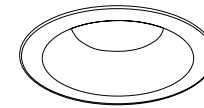
FLANGED TRIM OR DROP TRIM



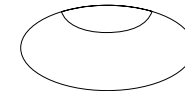
TRIMLESS MUDPLATE



FLANGED TRIM



TRIMLESS MUDPLATE



DROP TRIM

