

# Medius

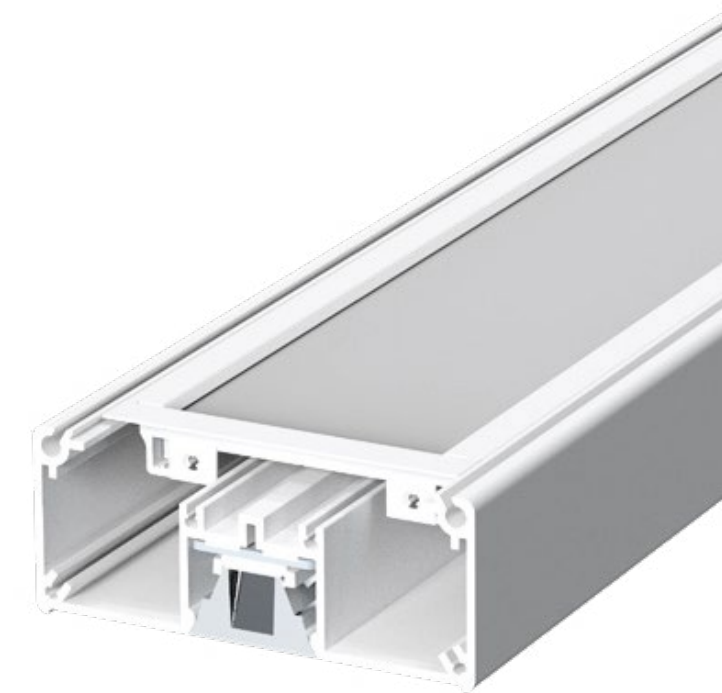
LEAN. LINEAR. LOW-GLARE.





# Medius

With a compact 1 15/16" x 4 3/4" profile, Medius delivers high performance direct and direct/indirect lighting with a choice of optics: parabolic louvers, miniature reflectors, lambertian diffuser, and widespread indirect. The result is excellent visual comfort with UGR better than 16, smooth ceiling uniformity, and efficacy up to 119 LPW. Medius offers ChromaWerx for tunable white applications. A sliding cable option simplifies installation in existing spaces. Medius configures as individual luminaires or continuous runs and features the full range of electrical and control options from onboard drivers.



## MOUNTING OPTIONS



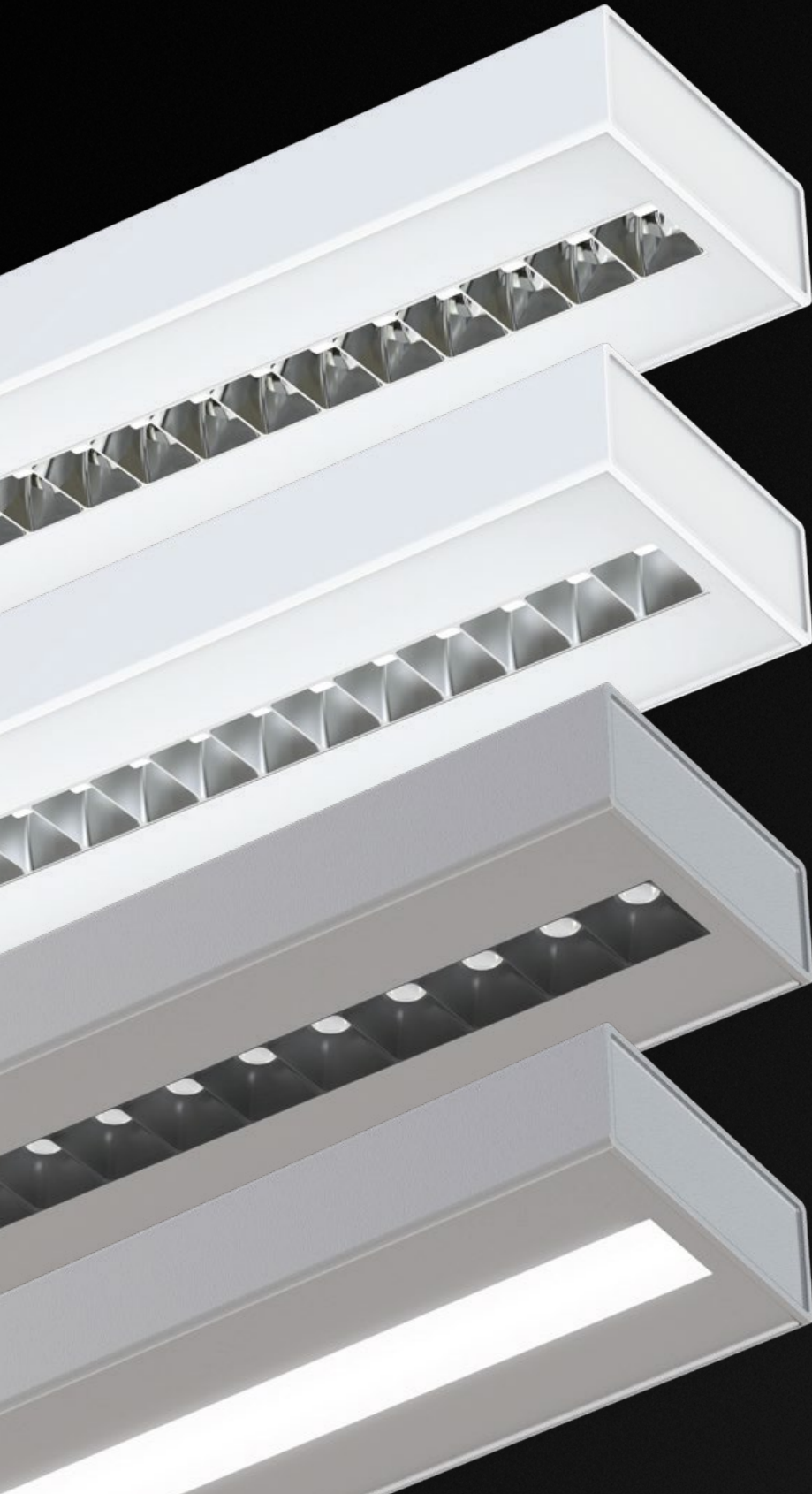
Fixed location cables with modular spacing



Sliding Cable Suspension can slide to provide flexible suspension points

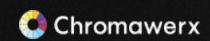


Wall Mount



#### MPL AND SPL - PARABOLIC LOUVER OPTIONS

Excellent shielding in two finishes: Matte, for a quiet glow, and specular, for a sharp cut off. Available with ChromaWerx for tunable white lighting.



#### MRO - MINIATURE REFLECTOR OPTIC

Concentrated and very comfortable task illumination with three beam spread options.

#### HLO - HIGH EFFICIENCY LAMBERTIAN OPTIC

Offers good transmission and source obscuration from a uniformly luminous surface.



# Optics

Medius incorporates a choice of optics, offering a variety of beam qualities and visual “textures”. The optical assemblies are modular; they integrate neatly into the same luminaire housing, creating a consistent structural vocabulary. Separate control of direct and indirect lighting is offered in all configurations. A direct-only light distribution is also available.

## DISTRIBUTION

Medius offers direct/indirect and direct-only light distributions. Both the direct and indirect components are available up to 1000 lumens per foot.

**WIO - Widespread Indirect Optic**  
Uses edge-lighting and a micro-structured light guide to provide a batwing uplight distribution.



Direct/Indirect



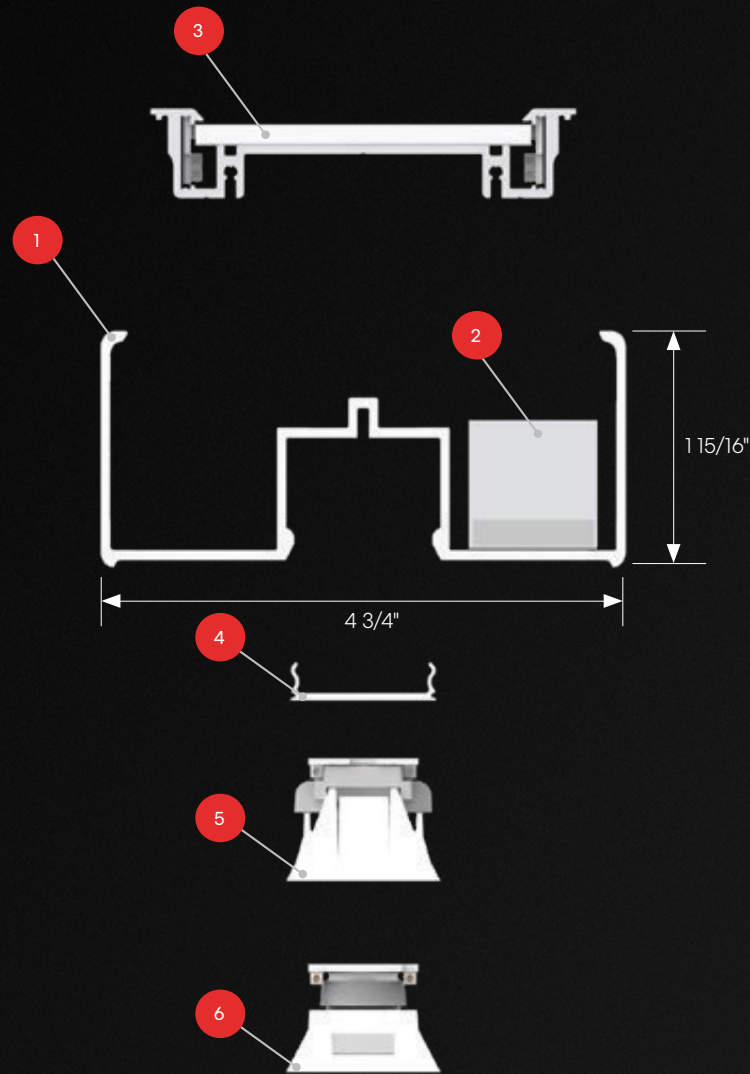
Direct





# Construction

- 1 Housing - High-grade extruded aluminum, with die-cast aluminum end caps and joiner splines
- 2 Cartridge-mounted LED arrays and drivers are field replaceable
- 3 WIO - Widespread Indirect Optic
- 4 HLO - High Efficiency Lambertian Optic
- 5 MRO - Miniature reflector Optic
- 6 MPL/SPL - Parabolic Louver Optics



# Outstanding Visual Comfort

The downlight from compact LED luminaires presents significant challenges of discomfort glare in general lighting applications. Medius addresses this problem with precision parabolic optics that provide deep shielding and effective cut-off, resulting in outstanding visual comfort and practical spacing.

The table shows optical performance and visual comfort using two metrics: the Unified Glare Rating, or UGR (described below), and whether the luminaire satisfies the recommendations of ANSI-IES RP 1-12 for intensive viewing of visual display terminals (VDT's)

Optics	Cut-Off Angle	Spacing Criterion	500 lm/ft (20x8" luminaires)		750 lm/ft (12x8" luminaires)	
			VDT viewing	UGR	VDT viewing	UGR
SPL - Specular Parabolic Louver	45	1.1	Yes	11	Yes	12
MPL - Matte Parabolic Louver	47	1.1	Yes	12	Yes	13
MRO 55° Beam	53	0.8	Yes	14	Yes	15
HLO - Diffuser Optic	81	1.1		21		20

500 lms/ft in 40" x 40" x 9.5" space, 80-50-20 reflectance. 40 FC average maintained (.85 LLF) and avg:min of 2:1 750 lms/ft in 40" x 40" x 12" space, 80-50-20 reflectance. 40 FC average maintained (.85 LLF) and avg:min of 2.5:1



# Unified Glare Rating (UGR)

The UGR models glare from lighting in application, rather than a simple photometric value for a luminaire. For any lighting layout, the model considers luminaire quantity and luminance; ceiling luminance, room dimensions and reflectances; and viewing position. The result is a number from 5 (best) to 48 (worst). A UGR of 16, corresponding to a visual comfort probability of 80%, is the minimum recommended for most commercial workspaces. Ratings of 10-14 are preferable for long and intensive working hours.



# Performance\*

## DIRECT-SPL / INDIRECT-WIO

LED output	Color Temp	Watts	Direct Lumens	Indirect Lumens	Total Output per 4" Luminaire	Efficacy LPW
Eco Low Output	3000K	30.5	1400	2000	3400	112
Eco Low Output	3500K	30	1400	2000	3400	113
Eco Low Output	4000K	29.5	1400	2000	3400	116

## DIRECT-MPL / INDIRECT-WIO

LED output	Color Temp	Watts	Direct Lumens	Indirect Lumens	Total Output per 4" Luminaire	Efficacy LPW
Eco Low Output	3000K	31.5	1400	2000	3400	108
Eco Low Output	3500K	31	1400	2000	3400	109
Eco Low Output	4000K	30.5	1400	2000	3400	112

## DIRECT-MRO35 / INDIRECT-WIO

LED output	Color Temp	Watts	Direct Lumens	Indirect Lumens	Total Output per 4" Luminaire	Efficacy LPW
Eco Low Output	3000K	29.5	1400	2000	3400	115
Eco Low Output	3500K	29.5	1400	2000	3400	116
Eco Low Output	4000K	28.5	1400	2000	3400	119

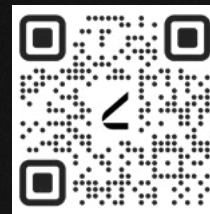
## DIRECT-HLO / INDIRECT-WIO

LED output	Color Temp	Watts	Direct Lumens	Indirect Lumens	Total Output per 4" Luminaire	Efficacy LPW
Eco Low Output	3000K	31	1400	2000	3400	109
Eco Low Output	3500K	30.5	1400	2000	3400	111
Eco Low Output	4000K	29.5	1400	2000	3400	115

\*Lumen values are nominal



MEDIUS COLLECTION  
BROCHURE



MEDIUS COLLECTION  
ONLINE

 **Lumenwerx**

ALWAYS LIGHT  
RIGHT

[lumenwerx.com](https://lumenwerx.com)  
R.02.2026