

Nova & Vega

DISCREET TROFFERS.
VISUAL COMFORT.





Nova & Vega

SHAPES
Rectangle
Square

MOUNTING
Recessed
Surface

OPTICS
MPO, HLO
MTO



Nova and Vega are recessed luminaires designed for office, education, and healthcare facilities. They feature advanced technology and attractive optical shielding. Using high-efficiency light engines, Nova and Vega provide cost-effective illumination and comprehensive ceiling, electrical, and controls options in 1' x 4', 2' x 2', and 2' x 4' sizes.



FEATURED PRODUCT
Nova 1' x 4", Grid Recessed

FEATURED PROJECT
École Secondaire Lasalle,
Mtl, Québec
Photo: David Boyer



Nova

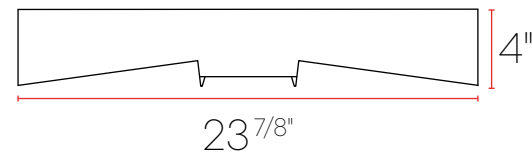
The key to this luminaire design is an optical system that distributes light softly around the space, while balancing luminaire brightness for a high degree of visual comfort. Carefully articulated shielding effectively resolve the concentrated LED array without creating distinct areas of brightness and shadow on the face of the luminaire. Overall luminaire brightness is controlled by the generous shielding area-to-flux ratio and a gentle gradient from center to edge.

Nova features both flat and slope shielding, composed of two elements. The central Precision Micro-prism Optic (PMO) is 0.125" acrylic, molded into pyramidal prisms with a 0.04" square base. Two side elements of High-efficiency Lambertian Optic (HLO) are made of 0.075" thick acrylic provide a minimum of 88% transmission and good source concealment. A hinged center basket contributes to easy and time-saving maintenance.

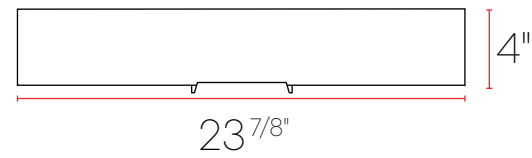
OPTIONS

Flat and slope diffusers are available for all Nova sizes, 1' x 4', 2' x 2', and 2' x 4'.

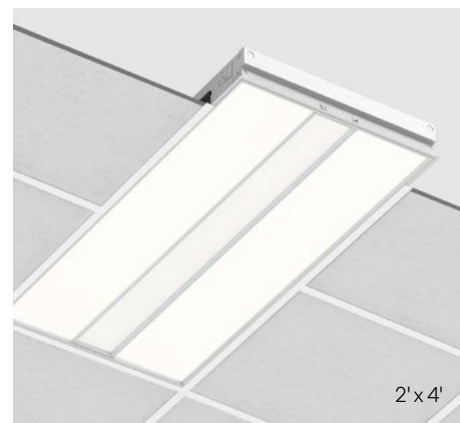
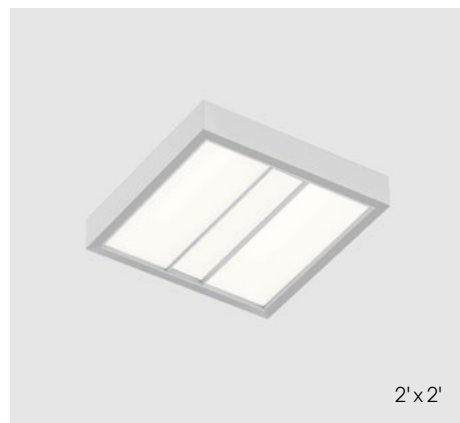
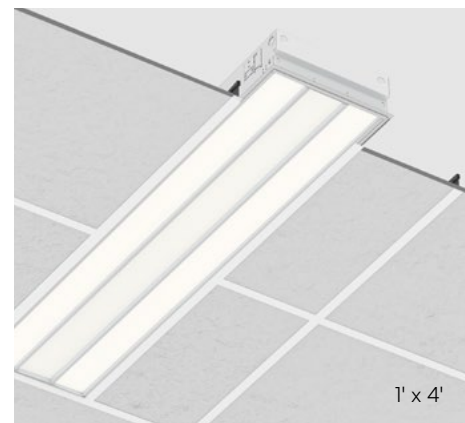
Nova Slope



Nova Flat



SIZES AND SHAPES



Nova Slope 2x2, Surface

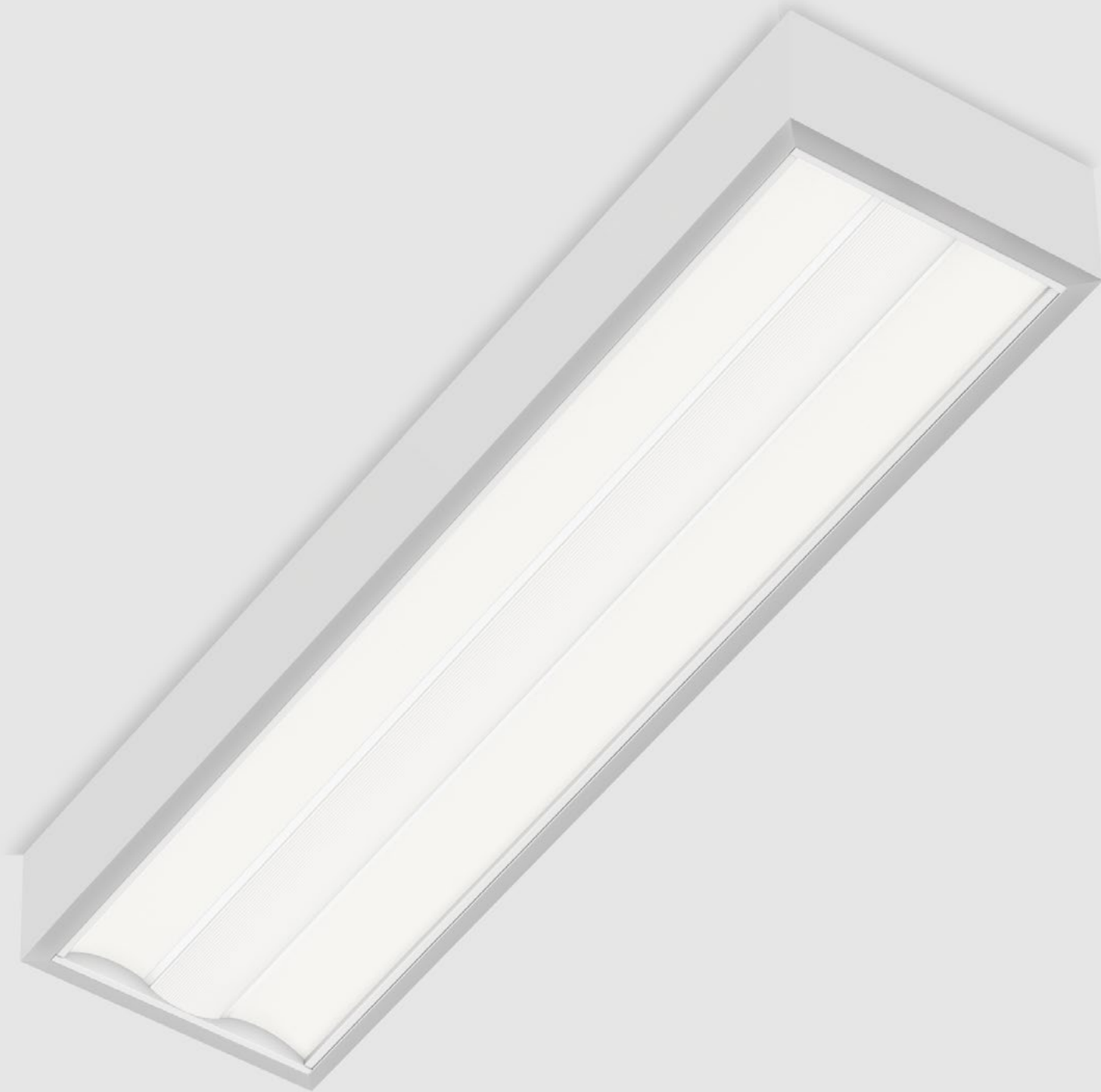




Nova 1'x4'



Vega 1' x 4',
Surface

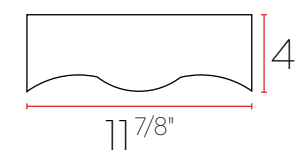


Vega

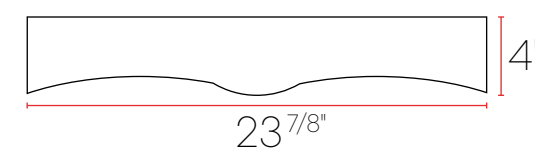
Vega features a gently curved shielding, composed of two elements. The Median Textured Optic (MTO) is a convex, ribbed diffusing element, flanked by High-efficiency Lambertian Optics (HLO). These concave side panels of diffusing 0.075" thick acrylic provide a minimum of 88% transmission and good source concealment. Placement of the arrays and shielding contours is optimized for luminaire efficacy, comfort, and visual appeal. A hinged center basket contributes to easy and time-saving maintenance.

PROFILE

Vega 1' x 4'



Vega 2' x 2' & 2' x 4'

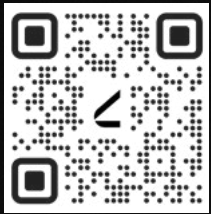


SIZES AND SHAPES





Vega 2' x 4'



NOVA & VEGA
ONLINE

 **Lumenwerx**

ALWAYS LIGHT
RIGHT

lumenwerx.com

R.03.2026