

Lumenwerx 

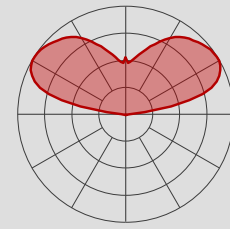
Ory

FROM COMPACT LINES
TO COMPOSED PATTERNS

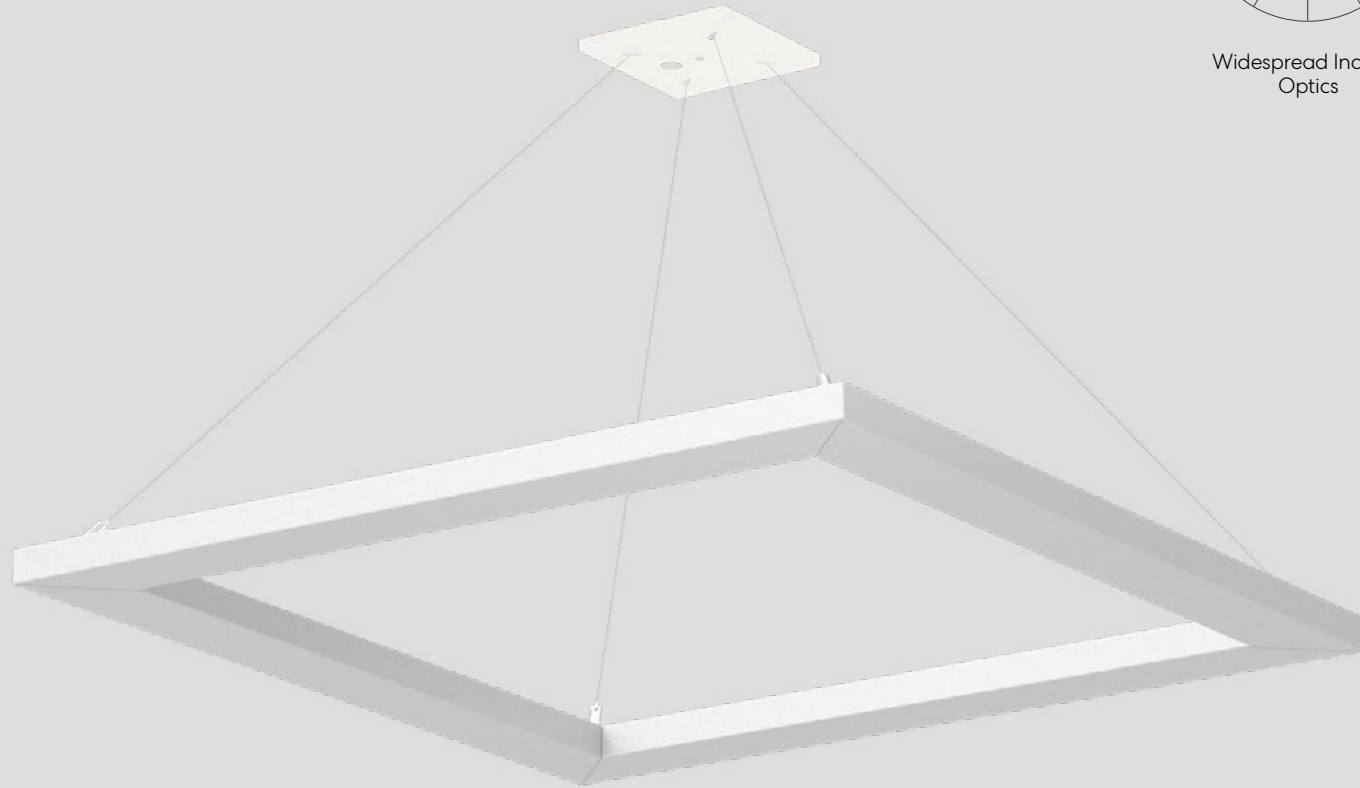




Ory, 2x2,
Pendant, Indirect



Widespread Indirect
Optics



DISTRIBUTION

Indirect

MOUNTINGS

Pendant
Wall

UP TO

118 lm/W

SHAPES

Linear
Square
Rectangle

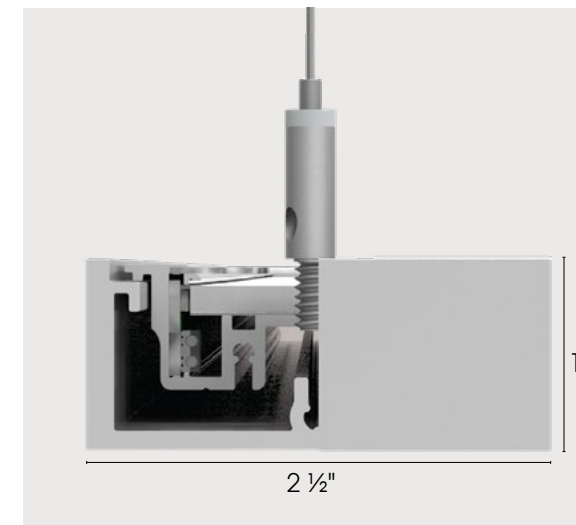


Ory

At just 1" high x 2.5" wide, Ory appears to float effortlessly. A remote driver, accessible through the suspension canopy, provides power. Offering widespread, energy-efficient lighting from such a compact luminaire, Ory delivers remarkable performance.

With Widespread Indirect Optic (WIO), Ory delivers even ceiling brightness resulting in wider luminaire spacing than with ordinary pendants.

PROFILE



WIDESPREAD INDIRECT OPTICS

Widespread Indirect Optic (WIO) uses two vertically oriented LED arrays that couple light into the edges of a linear light guide.

A specially designed TIR/microstructure extracts light into the desired "batwing" distribution. In Ory, peak intensity reaches 110°, while direct uplight is suppressed. The peak-to-zenith intensity ratio is 2:1—exceptional for a compact luminaire.

The Widespread Indirect Optic produces noticeably smoother ceiling brightness than a typical lambertian uplight distribution, permitting generally wider spacing as well.

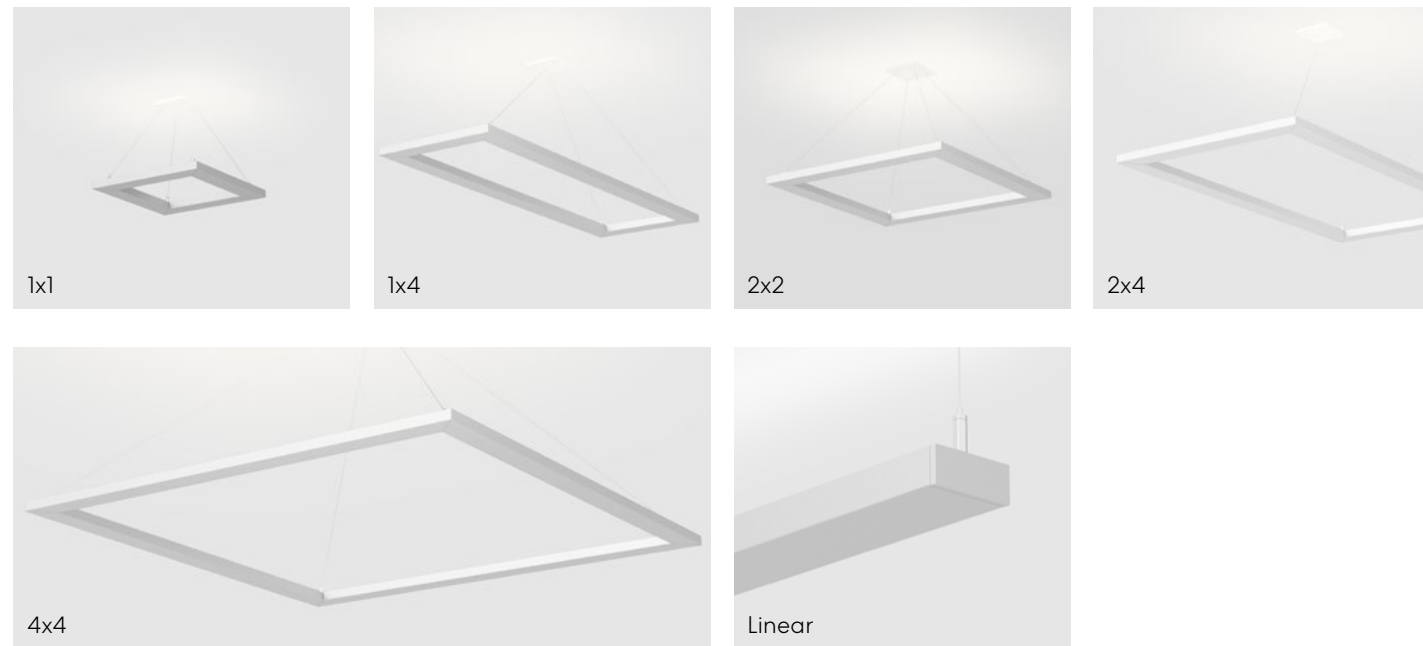




Sizes and Shapes

Ory indirect shaped in 1x1, 2x2, 2x4, 1x4 and 4x4 configurations are suspended at the corners, which are unlit. The remote driver is accessible through an access panel in the central canopy and can be reached without disturbing the suspension cables.

SHAPES



Wall Asymmetric

Ory wall mount features a widespread asymmetric distribution and is ADA compliant.

LENGTHS
 2', 4', 6', 8', and
 Continuous
 Runs

OPTIC
 Widespread
 Asymmetric
 Indirect Optic

