

# MINI PIVOT LINEAR

## Pendant



**!** This product must be installed in accordance with the National Electrical Code and all applicable local codes, by a person familiar with the construction and operation of the product, and the hazards involved. Proper grounding is required for safety.

Ce produit doit être installé suivant le code national de l'électricité, ainsi que tous les codes locaux applicables, par une personne familière avec la construction et le fonctionnement du produit, ainsi que tous les risques qui y sont associés. La mise à terre électrique est obligatoire pour la sécurité.

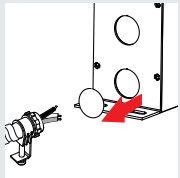
**!** Wire dimming conductors as Class 1.

**💡** For electrical connections, please refer to the [wiring diagram guide](#).



### SINGLE FIXTURE - AIRCRAFT CABLE

**!** For remote driver box, please refer to the [remote driver installation sheet](#) for more information.



#### 1 MAKE ELECTRICAL CONNECTIONS TO MAIN POWER.

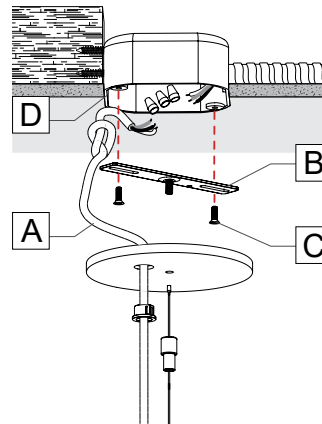
**Caution:** Make sure the electrical power is turned off.

Locate ceiling mounting points according to the provided client drawings. Make a knot in the power cord [A] and then connect it to the main power.

Secure the crossbar [B] with screws [C] (by others) to the junction box [D].

**Note:** Number of wires may vary.

**Warning:** A luminaire with more than one power supply connection means shall be connected to only one branch circuit.



#### 2 INSTALL ALL OF THE CANOPIES.

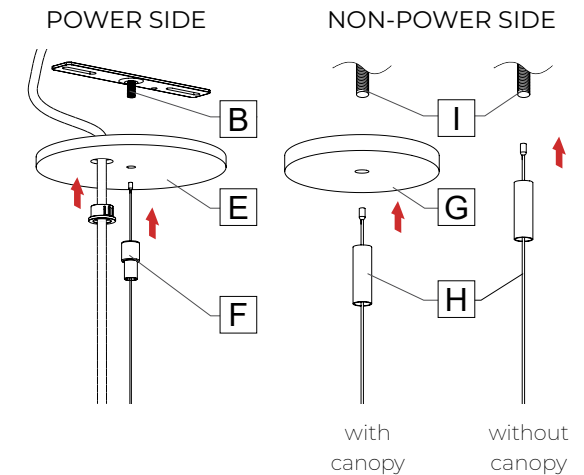
##### POWER SIDE

Secure the canopy [E] with the slip ring [F] on the crossbar [B].

##### NON-POWER SIDE

Secure the canopy [G] with the cable coupler [H] on the threaded rod (1/4"-20) [I] (by others).

For non-power side without canopy, secure the cable coupler [H] directly on the threaded rod (1/4"-20) [I] (by others).

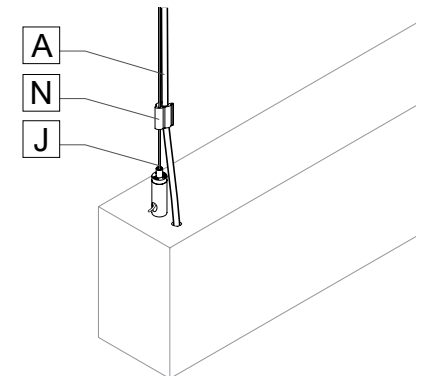
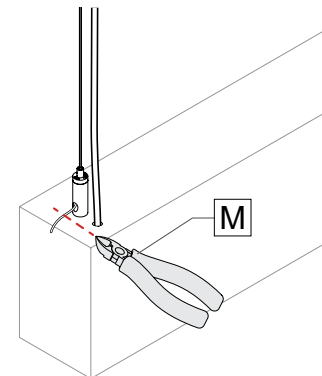
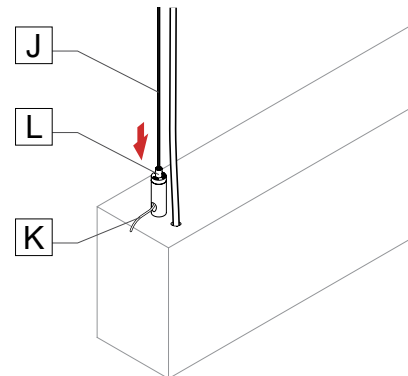


#### 3 INSTALL AIRCRAFT CABLES.

Insert the aircraft cable [J] into the griplock [K]. Adjust the aircraft cable [J] length by pushing the feeder tube [L].

Cut the excess cable with an aircraft cable cutter [M].

Secure the power cord [A] to the aircraft cable [J] with the plastic clip [N].



# MINI PIVOT LINEAR

## Pendant



### CONTINUOUS RUN - AIRCRAFT CABLE

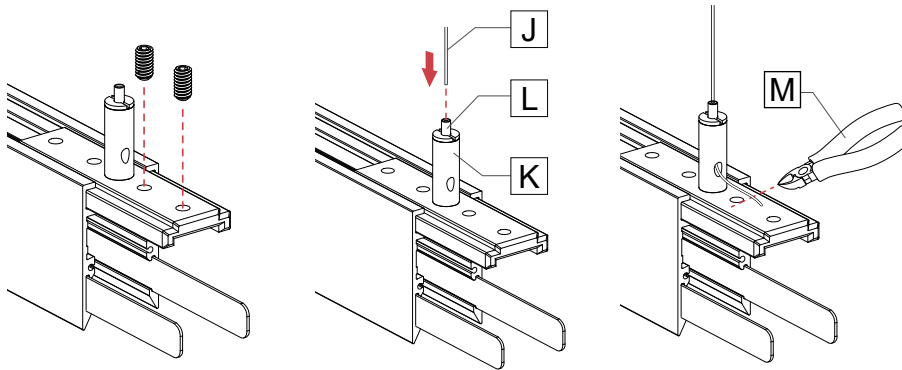
**1** FOR CONTINUOUS RUN, REPEAT STEPS **1** TO **3** FROM THE SINGLE UNIT SECTION FOR THE 1<sup>ST</sup> FIXTURE IN THE RUN, THEN:

**2** INSTALL AIRCRAFT CABLES.

Remove the set screws **[O]** from the joiner **[P]**

Insert the aircraft cable **[J]** into the griplock **[K]**. Adjust the aircraft cable **[J]** length by pushing the feeder tube **[L]**.

Cut the excess cable with an aircraft cable cutter **[M]**.

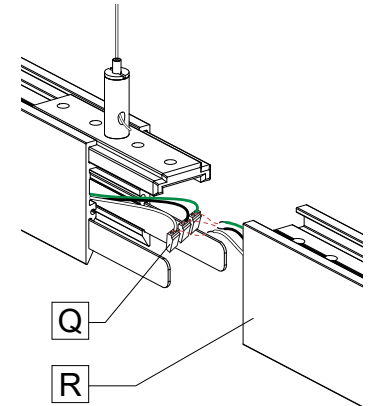


**3** MAKE ELECTRICAL CONNECTIONS.

Connect wires between joining fixtures using quick connectors **[Q]**.

Push wires inside the 2<sup>nd</sup> fixture **[R]**.

**NOTE:** Number of wires may vary.

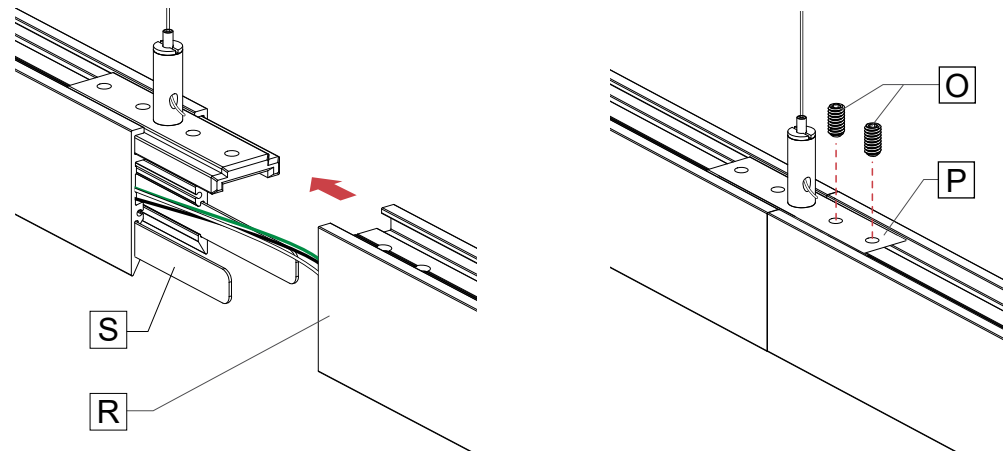


**4** JOIN FIXTURES.

Slide the 2<sup>nd</sup> fixture **[R]** to the 1<sup>st</sup> fixture aligning the blades **[S]** and push the 2<sup>nd</sup> fixture until it clicks in.

Secure the the joiner **[P]** using set screws **[O]**.

**NOTE:** Do not overtighten.



**5** REPEAT STEPS **2** TO **4** FOR THE REST OF THE FIXTURES IN THE RUN.



# MINI PIVOT LINEAR

## Pendant



### CONTINUOUS RUN WITH LINX - AIRCRAFT CABLE

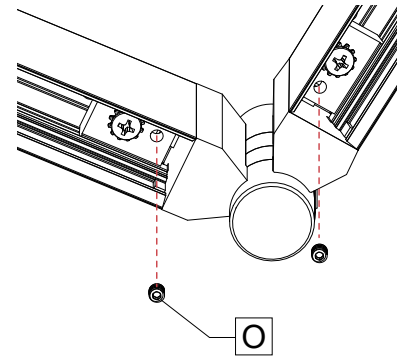
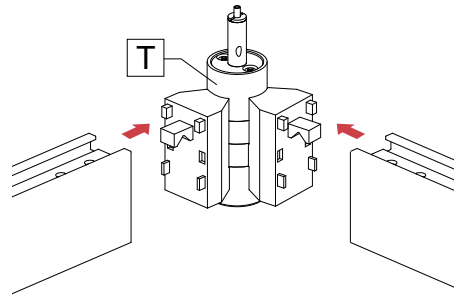
(Shown with 2 ways Linx and also applies to other Linxs)

**1** FOR PATTERN WITH LINX, REPEAT STEPS **1** TO **2** FROM THE SINGLE UNIT SECTION FOR THE 1<sup>ST</sup> TRACK IN THE RUN, THEN:

**2** INSTALL FIXTURES TO LINX.

Attach the Linx **[T]** to the end of the each track in the pattern.

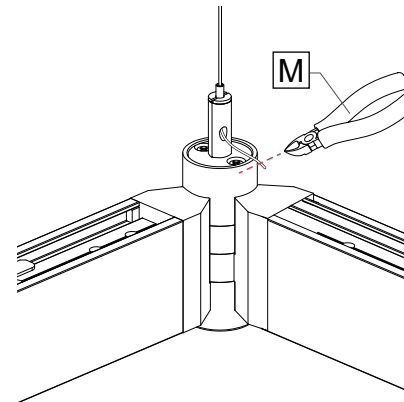
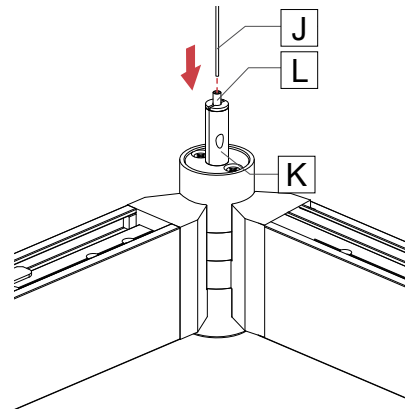
Secure the Linx **[T]** using a set screw **[O]**.



**3** INSTALL AIRCRAFT CABLES.

Insert the aircraft cable **[J]** into the griplock **[K]**.  
Adjust the aircraft cable **[J]** length by pushing the feeder tube **[L]**.

Cut the excess cable with an aircraft cable cutter **[M]**.



**4** REPEAT STEPS **1** TO **3** FOR THE REST OF THE TRACKS IN THE PATTERN.

