

MINI PIVOT LINEAR

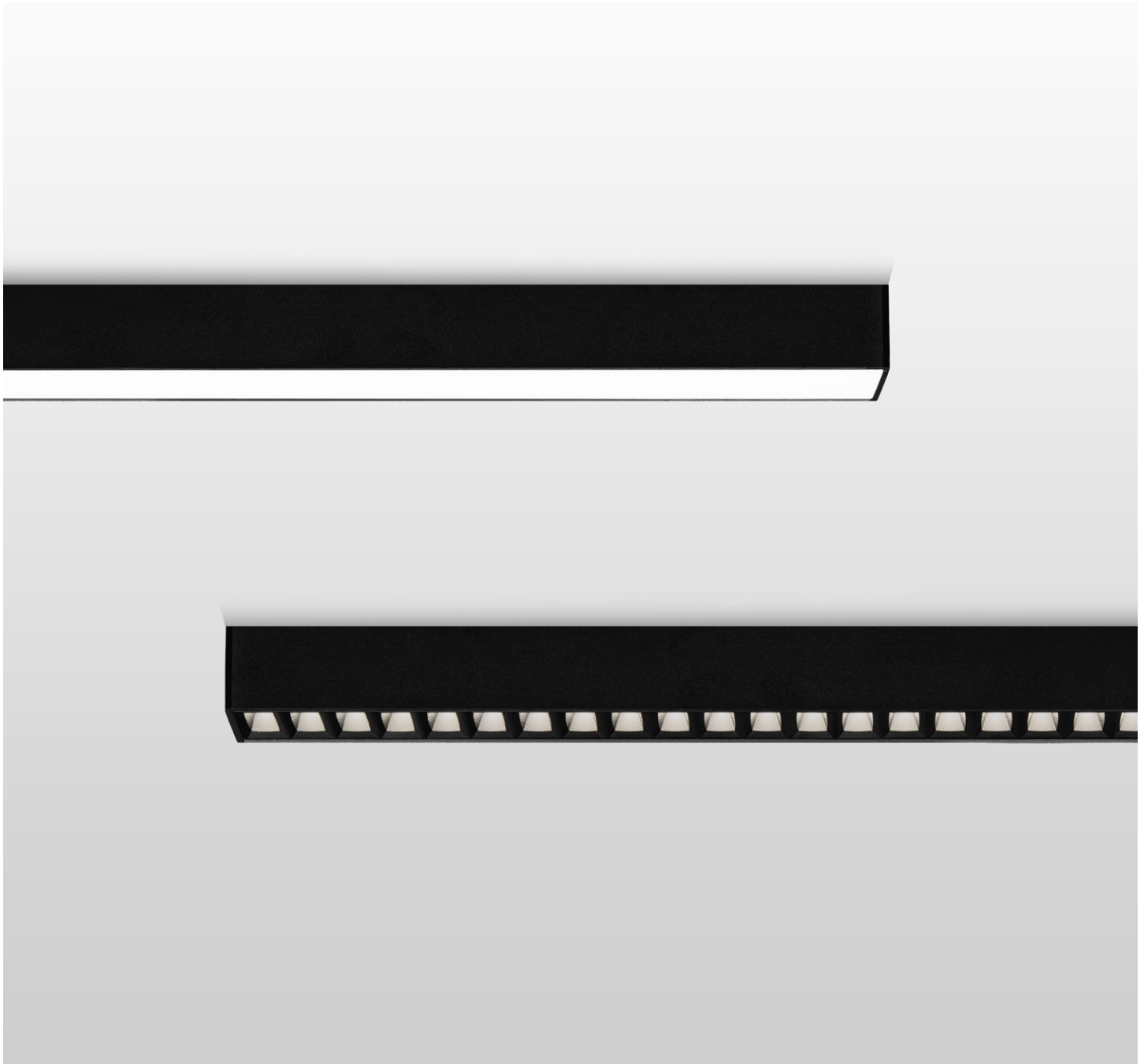


SURFACE
DIRECT



DESCRIPTION

With the same crisp and clean aesthetic as its Mini Pivot Track counterpart, Mini Pivot Linear fixtures are track-free lighting units that can be used in conjunction with Mini Pivot Track modules in comprehensive lighting designs, or they can serve as lighting solutions on their own for applications requiring uniform and consistent lighting effects throughout a space. Recessed, surface, or pendant mounted, Mini Pivot Linear delivers direct light distribution with HLO or DPO lensing options.



MINI PIVOT LINEAR



SURFACE
DIRECT

Project: _____
Type: _____

Order Guide

Example: MIPIVLINS-D-HLO-2FT-BLA-1FT-SW-80CRI-300LMF-27K-3FT-120V-RD1-1C-NA-DRC-FTMB

A drawing of your combination is required - anything from a line drawing to an architectural drawing. You can also use the grid on page 3 to sketch your layout.

LUMINAIRE ID	DISTRIBUTION	OPTICS ¹ Specify the total length for each required optic.	LIGHT SOURCE		CRI
MIPIVLINS	D				
MIPIVLINS - Mini Pivot Linear Surface	D - Direct	BDPO ² - Matte Black Diamond Prism Optic FT IN GDPO ² - Graphite Diamond Prism Optic FT IN HLO ³ - High-Efficiency Lambertian Optic FT IN BLA - Blank FT IN	SW - Static white	FS - Full spectrum static white	80CRI ⁴ - 80+ CRI 90CRI ⁴ - 90+ CRI 95CRI ⁵ - 95+ CRI
		¹ Specify Prism optics in 6.7" increments for 10 cell louvers, HLO in 4" increments, Blank in 1" increments. ² Minimum optic length is 20.1". ³ Minimum optic length is 23.6".			⁴ Not available with full spectrum. ⁵ Available with full spectrum only.

LUMEN PACKAGE				COLOR TEMP.	TOTAL LUMINAIRE LENGTH	VOLTAGE	DRIVER ⁹
	Low	Medium	High				
BDPO	640LMF	940LMF ⁶	x	27K - 2700K 30K - 3000K 35K - 3500K 40K - 4000K	#FT#IN ⁷ - Specify the total nominal length (#) in 1' and/or 1" increments Standard nominal lengths: Single units - 2' to 12' Continuous runs: lengths over 12' ⁷ Total luminaire length should equal the sum of all the direct optic lengths.	120V - 120V 277V - 277V UNV - 120V-277V 347V ⁸ - 347V	REMOTE RD1 - 1% 0-10V RDA ¹⁰ - DALI RLDE1 ¹⁰ - Lutron Hi-lume 1% Eco RELD1 - eldoLED 1% ECOdrive 0-10V RELD0 - eldoLED 0.1% SOLOdrive 0-10V
GDPO	640LMF	940LMF	1280LMF ⁶				
HLO	300LMF	450LMF	600LMF				
							⁶ Not available with full spectrum. ⁸ Available with RD1 driver only. ⁹ PoE (Power-over-Ethernet) compatible. Consult factory for details. ¹⁰ On-site commissioning is required.

ELECTRICAL	ELECTRICAL SECTIONS (optional) ^{12,13}	MOUNTING	FINISH ¹⁷
1C - 1 circuit #MC ¹¹ - Multi circuit EC - Emergency-powered fixture ¹¹ Specify total number of circuits (#), including any required for electrical section options. Provide drawing or layout specifications. Minimum 4' section per circuit.	#EC## ¹⁴ - Emergency-powered section #EMB ^{15,16} - Emergency battery NA - None ¹² Specify with multi circuit (#MC) electrical option only. ¹³ Provide drawing or layout specifications. Consult factory for other configurations. Default section length is 4'. ¹⁴ Specify quantity (#), and section length in inches (##). ¹⁵ Not available with 347V. ¹⁶ Specify quantity (#). All batteries will be remote. Each battery powers a 4' section of a single optic.	DRC - Drywall ceiling TG9 - Tegular 9/16" TG15 - Tegular 15/16" TB9 - T-bar 9/16" TB15 - T-bar 15/16"	FTMB - Matte black FTMW - Matte white CF# - Custom finish, specify RAL# ¹⁷ Blank finish will match fixture finish.



MINI PIVOT LINEAR



SURFACE

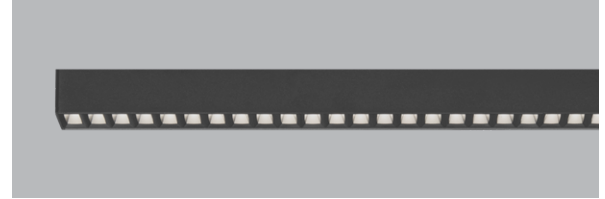
DIRECT

Mini Pivot Linear Layout

Use the grid below to sketch and label the layout of your combination.

Make sure to follow the guidelines specified in the order code:

- Prism optics in 6.7" increments;
HLO in 4" increments.
Blank in 1" increments.
- Single units - 2' to 12'
- Maximum length for a section is 12'.

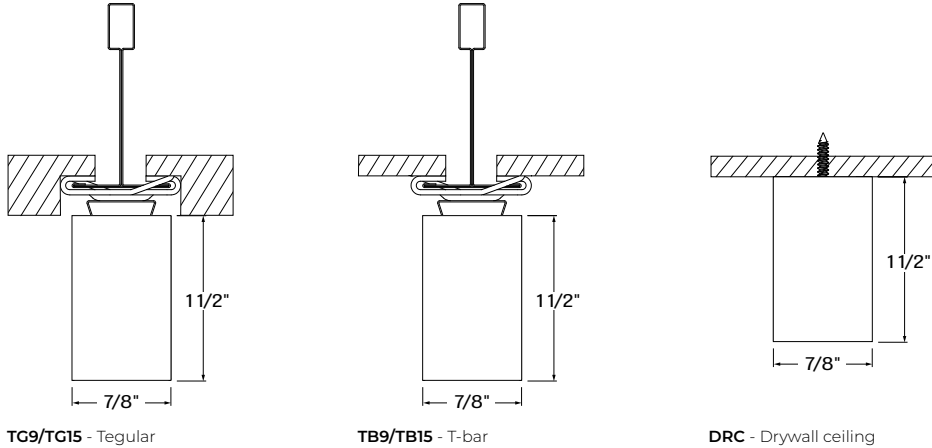


MINI PIVOT LINEAR



SURFACE
DIRECT

Dimensions



TG9/TG15 - Tegrular

TB9/TB15 - T-bar

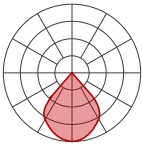
DRC - Drywall ceiling

Photometrics

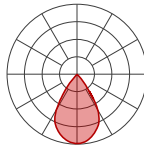
BDPO/GDPO values calculated based on four 6.7" sections at 3500K and 90+ CRI.

HLO values calculated based on a 4' fixture at 3500K and 80+ CRI.

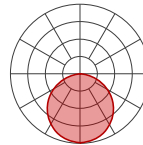
BDPO



GDPO



HLO



LM/FT	W/FT	LM/W
640	11.5	56
940	18.3	51

LM/FT	W/FT	LM/W
640	8.3	77
940	11.9	79
1280	18.1	71

LM/FT	W/FT	LM/W
300	3.8	79
450	5.7	78
600	7.8	77

MULTIPLIER TABLES - CCT/CRI

Use these tables to get results for different color temperatures and CRI for all photometric tables.

BDPO/GDPO

CCT	WATTS		LPW	
	80+ CRI	90+ CRI	80+ CRI	90+ CRI
2700K	0.93	1.06	1.08	0.94
3000K	0.89	1.03	1.12	0.98
3500K	0.89	1.00	1.12	1.00
4000K	0.88	0.98	1.13	1.02

HLO

CCT	WATTS		LPW	
	80+ CRI	90+ CRI	80+ CRI	90+ CRI
2700K	1.04	1.23	0.96	0.81
3000K	1.01	1.20	0.99	0.83
3500K	1.00	1.18	1.00	0.85
4000K	0.97	1.14	1.03	0.87

MINI PIVOT LINEAR



SURFACE

DIRECT

Technical Specifications

OPTICS

Diamond Prism Optic (DPO)

The Diamond Prism Optic™ (DPO™) is our patent-pending 3-tiered optic meticulously crafted to refract and reflect beams with great precision, effectively keeping glare to a minimum while delivering light of exceptional quality and visual comfort.



High-Efficiency Lambertian Optic (HLO)

Shielding of diffusing 0.075" thick acrylic provides up to 88% transmission and good obscuration. Matte white reflectors distribute LED output across the shielding. Luminaire brightness is controlled by the ratio of luminous flux to shielding area.



Blank (BLA)

Aluminum Blank covers provide spacing – functional or rhythmic – in the direct component of a Mini Pivot Linear luminaire. Covers finished to match the luminaire housing, and snap into the aperture.



LIGHT SOURCE

Static white

Custom linear array of high-flux LEDs mounted onto aluminum-backed circuitry with quick-connect wiring to facilitate service and optimize thermal management. Available in 2700K, 3000K, 3500K and 4000K with a minimum 80+ CRI and an option for 90+ CRI with elevated R9 value. Color consistency maintained to within 3 SDCM. All LEDs have been tested in accordance with IESNA LM-80-08 and the results have shown L80 lumen maintenance greater than 60,000 hours. Absolute product photometry is measured and presented in accordance with IESNA LM-79, unless otherwise indicated.

Full spectrum static white

The full spectrum LED option offers improved color particularly in the cyan region that is beneficial in both healthcare and circadian lighting strategies. The cyan region in full spectrum LED is richer at the 480 nm range.

LUMINAIRE LENGTH

Mini Pivot Linear is made up of standard sections (up to 12') that may be joined together to create longer continuous run lengths. Exact run lengths must be noted in the product code.

All individual sections are joined together onsite using the joiner kits provided. Lumenwerx offers joiner kits that are extremely simple to work with in the field.

ELECTRICAL

Factory-set, adjustable output current LED driver with universal (120-277VAC) input. Dimmable from 100% to 1% with 0-10V dimming control. Rated life (90% survivorship) of 50,000 hours at 50°C max. ambient (and 70°C max. case) temperature. At maximum driver load: Efficiency > 84%, PF > 0.9, THD < 20%. Other specifiable options include Lutron Hi-Lume 1% Eco, eldoLED 1% ECOdrive 0-10V, eldoLED 0.1% SOLOdrive 0-10V, and DALI protocol drivers. All of our standard 0-10V drivers are NEMA 410 compliant.

PoE

Depending on the PoE manufacturer selected, Lumenwerx will install the node in factory as either integral to the luminaire or as a remote module. Factory programming of the PoE node may or may not enable the following functionalities: lumen package, DUO (tunable white), QUADRO (RGBW), emergency battery backup, and sensor integration. These must be addressed and evaluated on a case-by-case basis.

MOUNTING

Fixtures can be mounted directly to drywall or grid ceiling, hardware supplied by others.

FINISH

Matte white and black. Custom colors also available (provide RAL #).

MINI PIVOT LINEAR



SURFACE

DIRECT

CONSTRUCTION

Housing: Extruded aluminum, up to 90% recycled content

HLO lens: Acrylic

Louvers: Polycarbonate

Joining system: Die cast zinc

End caps: Die cast aluminum

WEIGHT

4': 2.2 lbs - 1.0 kg

8': 4.41 lbs - 2.0 kg

12': 6.8 lbs - 3.1 kg

CERTIFICATION

ETL: Rated for indoor dry/damp locations. Conforms to UL Standard 1598 and certified to CAN/CSA Standard C22.2 No. 250.0.

WARRANTY

Lumenwerx provides a five-year limited warranty on electrical and mechanical performance of the luminaires, including the LED boards, drivers, and auxiliary electronics. Lumenwerx will repair or replace defective luminaires or components at our discretion, provided they have been installed and operated in accordance with our specifications. Other limitations apply, please refer to the full warranty on our website.