

MINI PIVOT

Track - Recessed [MIPIVR]
Drywall Mud Flange

SAVE THESE INSTRUCTIONS

AND REFER TO THEM WHEN ADDITIONS TO OR CHANGES IN THE TRACK CONFIGURATION ARE MADE.

FOR USE WITH MINI PIVOT TRACK SYSTEM ONLY

The track is only to be used with other electrical fittings identified for use with the track system.
The modules are only to be used with the Pivot track system.

IMPORTANT SAFETY INSTRUCTIONS:

When installing or using this track system, basic safety precautions should always be followed, including the following :

Read all of these installation instructions before installing the track system.

Wire dimming conductors as Class 1.

Make sure that the power to the track is turned off.

The track system is not intended for use with a power supply cord or convenience receptacle adaptor.

Recessed track is not intended to be pendant mounted such as by a stem or cable.

Do not install in wet or damp locations.

Do not cut any track sections.

Do not install any part of a track system less than 5 feet above the floor.

Do not install any luminaire assembly closer than 6 inches from any curtain or similar combustible material.

Disconnect electrical power before adding to or changing the configuration of the track. Do not attempt to energize anything other than lighting track luminaires on the track. To reduce the risk of fire and electric shock, do not attempt to connect power tools, extension cords, appliances, and the like to the track.



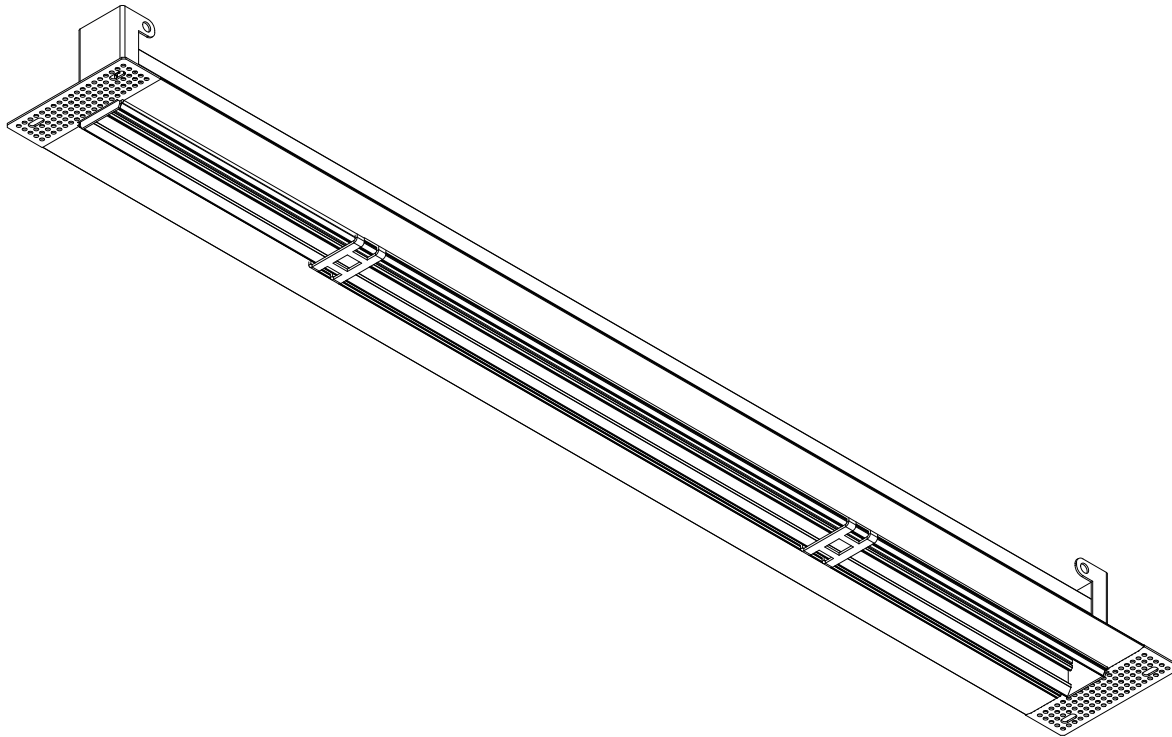
This product must be installed in accordance with the National Electrical Code and all applicable local codes, by a person familiar with the construction and operation of the product, and the hazards involved. Proper grounding is required for safety.

Ce produit doit être installé suivant le code national de l'électricité, ainsi que tous les codes locaux applicables, par une personne familière avec la construction et le fonctionnement du produit, ainsi que tous les risques qui y sont associés. La mise à terre électrique est obligatoire pour la sécurité.

MINI PIVOT

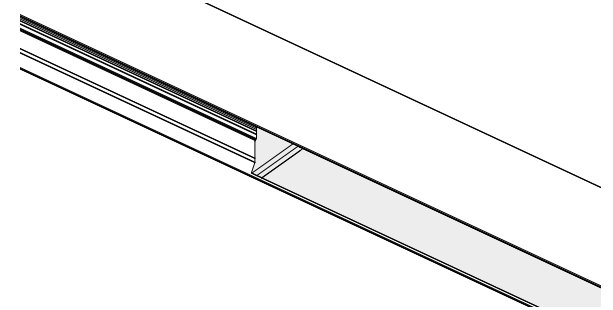
Track - Recessed [MIPIVR]
Drywall Mud Flange

Installation Instructions

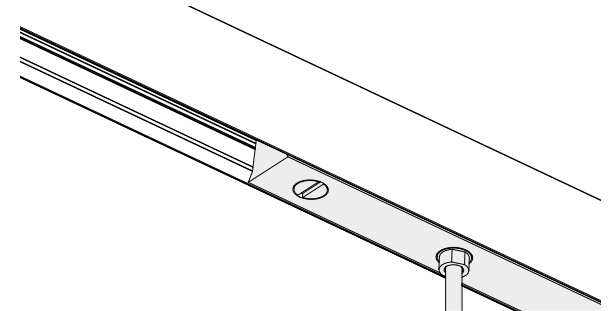


MODULE

Linear



Accent



Index

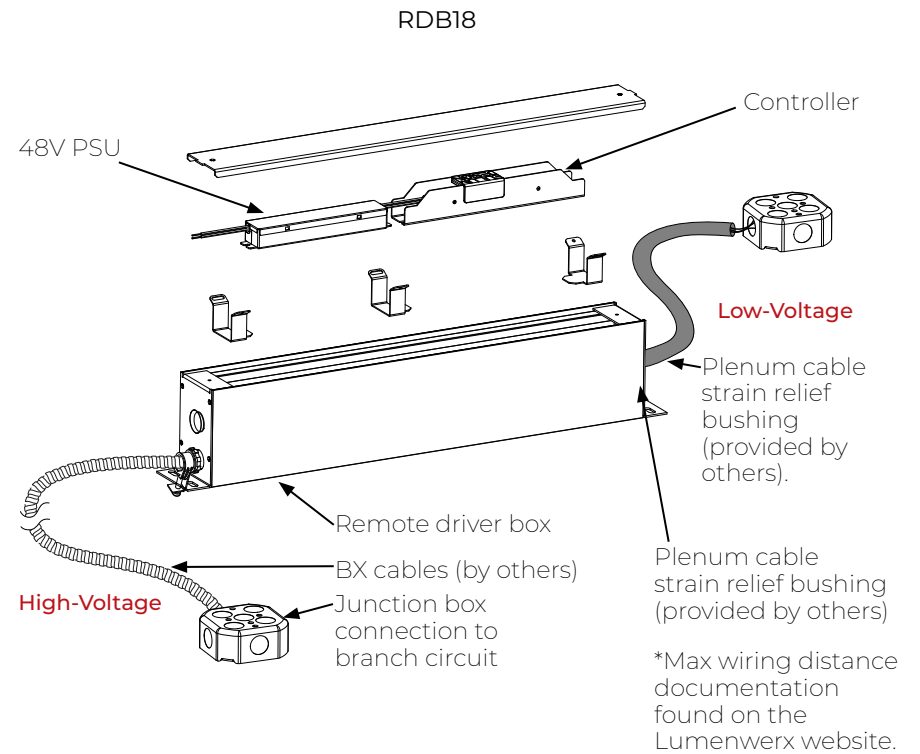
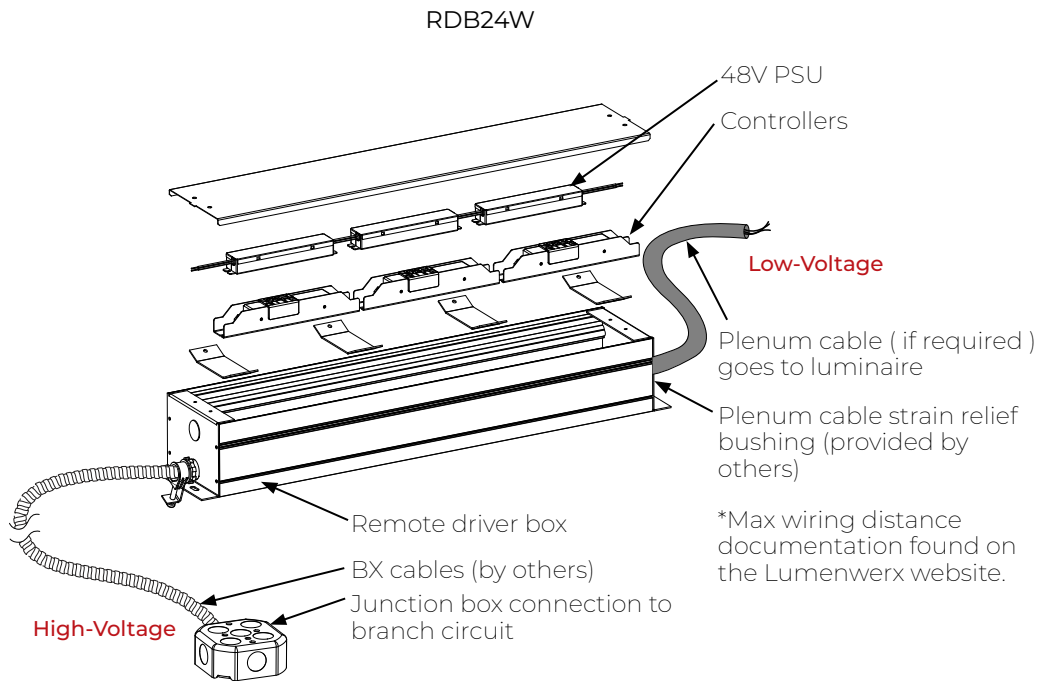
IMPORTANT SAFETY INSTRUCTIONS.....	P.1
SINGLE UNIT.....	P.5
CONTINUOUS RUN	P.7
MODULE INSTALLATION	P.8

MINI PIVOT

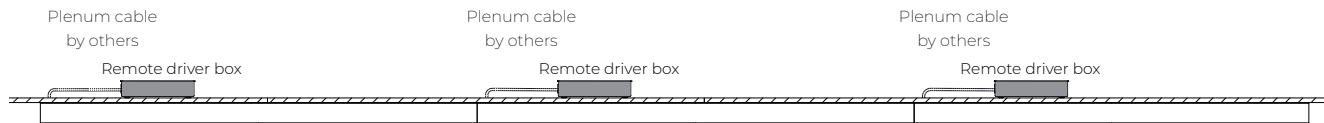
Track - Recessed [MIPIVR]
Drywall Mud Flange

Installation Instructions

OVERVIEW - REMOTE DRIVER BOX



Continuous run Installation



MINI PIVOT

Track - Recessed [MIPIVR]
Drywall Mud Flange

Installation Instructions

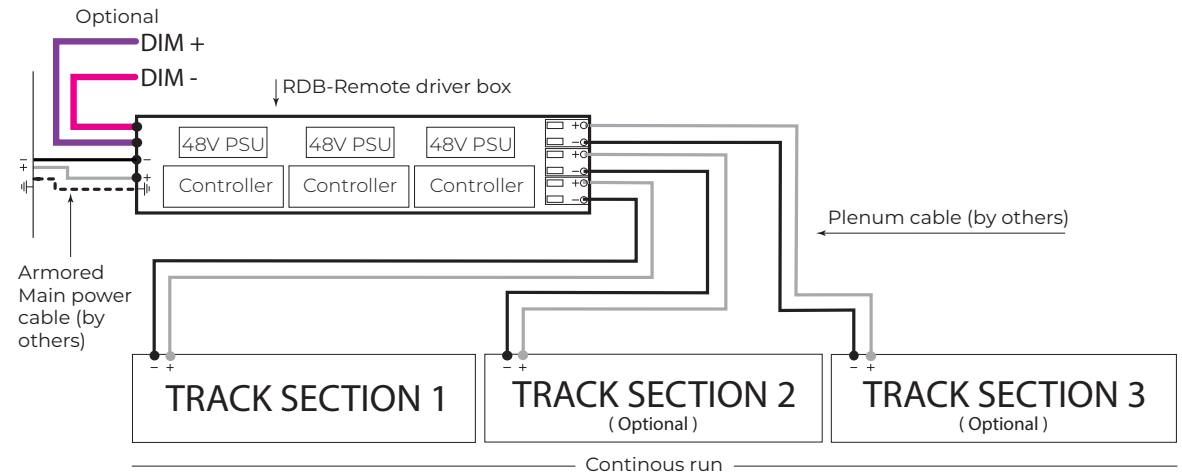
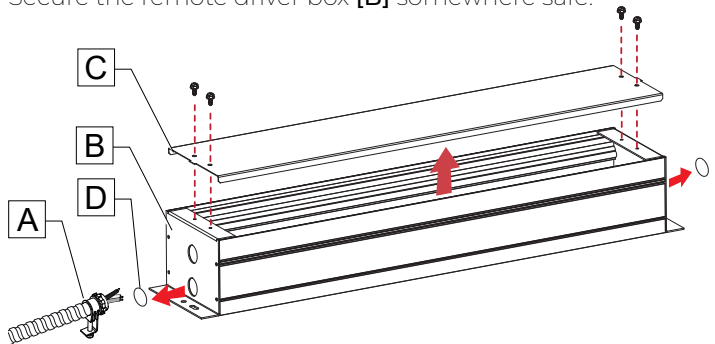
RDB - REMOTE DRIVER BOX

1 PREPARE REMOTE DRIVER BOX.

Bring high-voltage and dimming connections (optional) via BX cable [A] (by others), towards the remote driver box [B].

Remove lid [C] by unscrewing the screws and remove power knock outs [D].

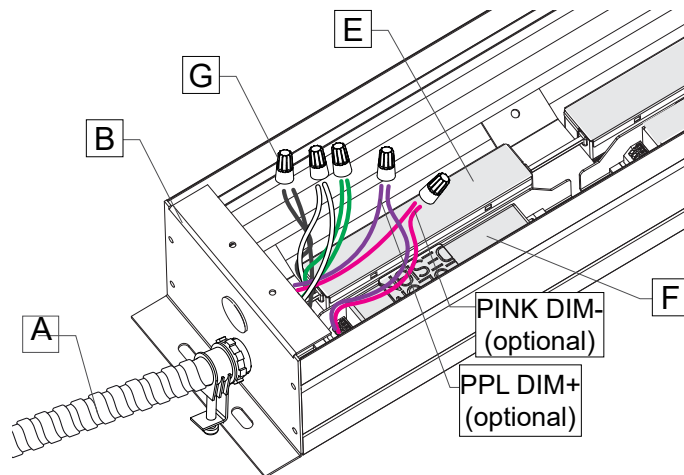
Secure the remote driver box [B] somewhere safe.



2 HIGH VOLTAGE.

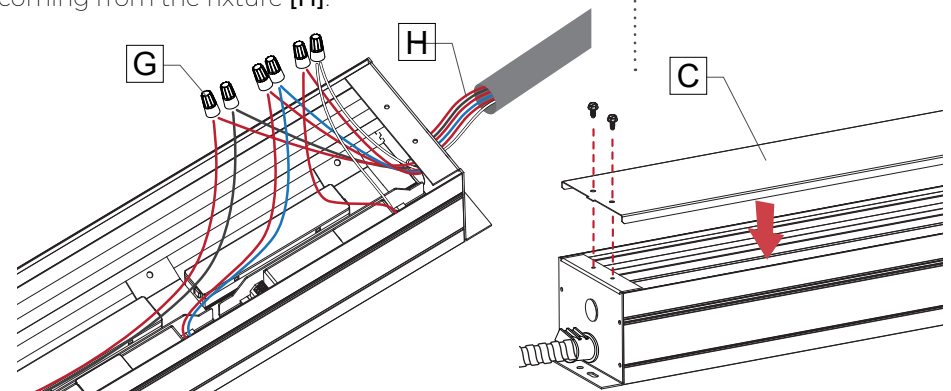
Bring and secure the BX cable [A] to the driver box [B] using fittings [E] (by others).

Make the wire connections between the BX cable [A], the 48V power supply [E] and the controller [F] using wire nuts [G].



3 LOW VOLTAGE.

Make the low-voltage wire connections through a single knockout using wire nuts [G] by matching the colors from the remote driver box to those coming from the fixture [H].



4 INSTALL LID.

Install lid [C] by fastening it down with the supplied screws.

MINI PIVOT

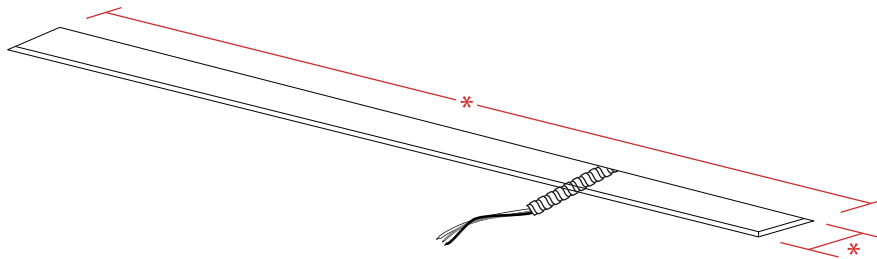
Track - Recessed [MIPIVR] Drywall Mud Flange

SINGLE UNIT

1 PREPARE CEILING OPENING.

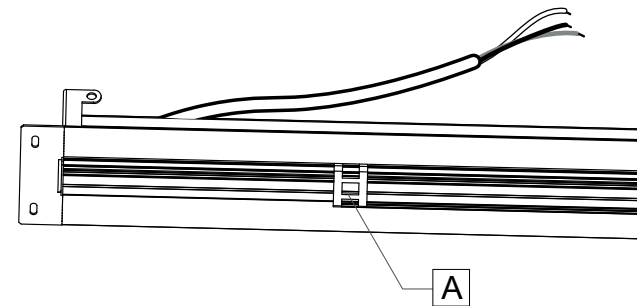
Prepare the area where the fixture is going to be installed.

Cut hole in the drywall according to the dimensions [*] given in the client drawings.



2 PREPARE FIXTURE.

The temporary brackets [A] should be aligned with the obround holes of the flanges.



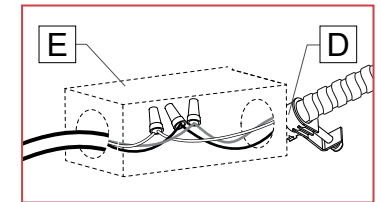
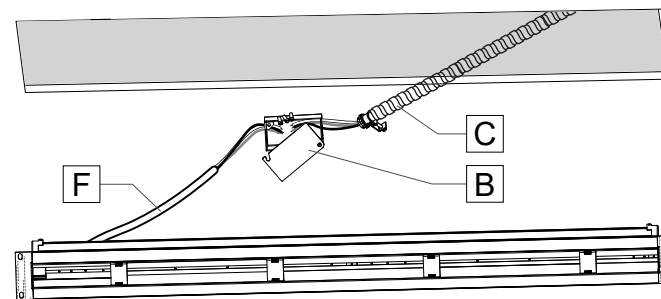
3 MAKE ELECTRICAL CONNECTIONS.

Unfasten the screw and pivot the J-box cover [B]. Pass the main power cable [C] (by others) through the cable connector [D] (by others), and install onto the J-box [E].

Make electrical connections between the main power cable [C] and fixture cable [F] using wire nuts (by others). Close the J-box cover [B].

NOTE: Number of wires may vary.

WARNING: A luminaire with more than one power supply connection means shall be connected to only one branch circuit.



MINI PIVOT

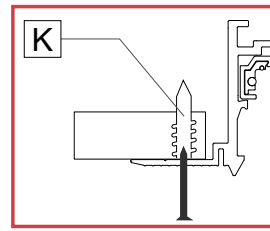
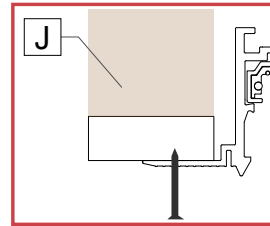
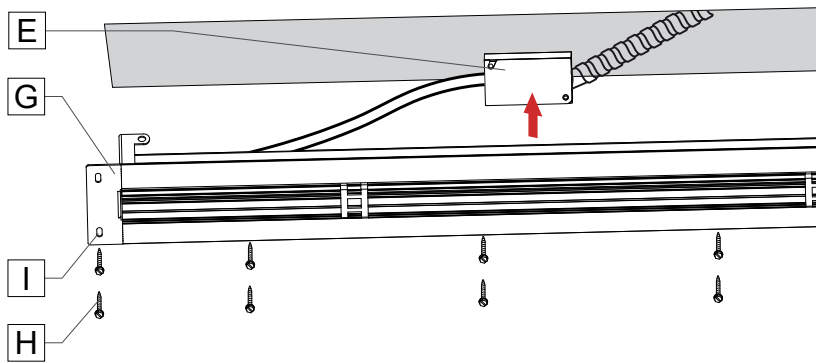
Track - Recessed [MIPIVR] Drywall Mud Flange

Installation Instructions

4 FIX THE FIXTURE.

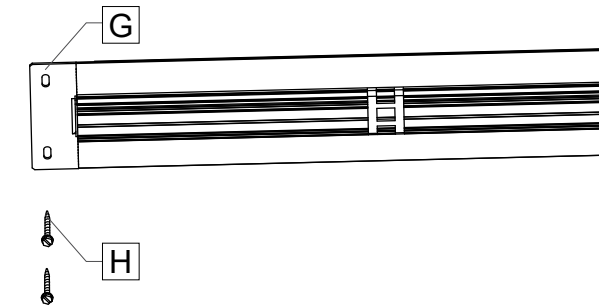
Insert the fixture [G] and the J-box [E] into the pre-cut hole in the drywall and fasten drywall screws [H] through the obround holes of the flanges [I].

To reinforce the drywall screws [H], wood blocking [J] or drywall anchors [K] must be used.



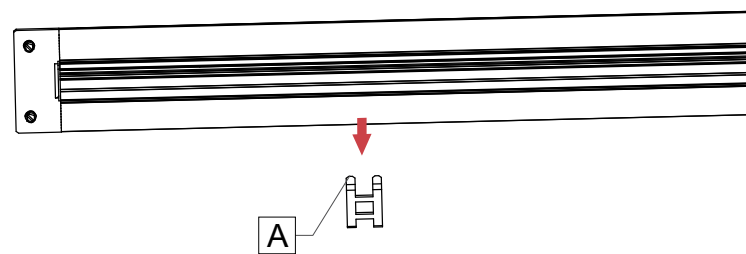
5 ADJUST FIXTURE IN PLACE.

If the fixture position needs adjustments, remove screws [H] on one side of the fixture [G] and adjust it. Reinstall the screws once the position is settled.



6 REMOVE TEMPORARY BRACKETS.

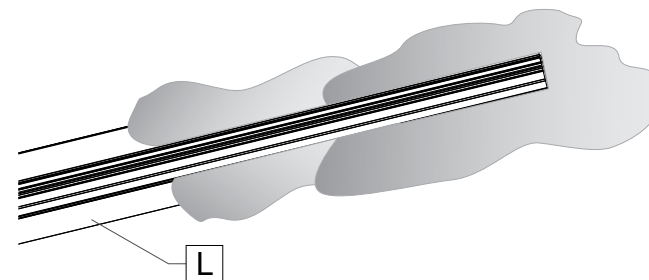
Once the fixture is attached to the ceiling, remove the temporary brackets [A].



7 FINISH INSTALLATION.

Plaster and sand over mud flange [L] to create a smooth finish.

NOTE: Clean any excess plaster with a non abrasive cleaner.



MINI PIVOT

Track - Recessed [MIPIVR]
Drywall Mud Flange

CONTINUOUS RUN - LINEAR & PATTERN

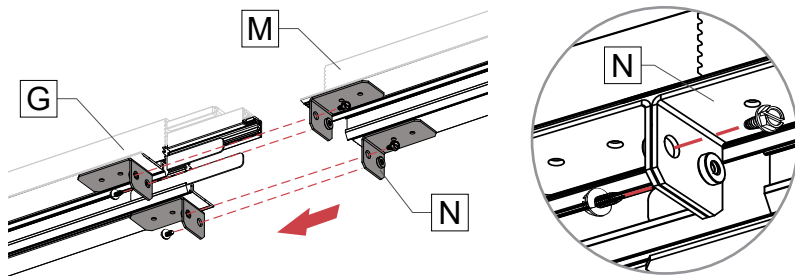
1 INSTALL 1ST FIXTURE IN THE RUN. FOLLOW STEPS **1** TO **3** OF THE SINGLE UNIT SECTION, THEN:

2 ATTACH FIXTURES.

Insert the 2nd fixture [M] into the pre-cut hole in the drywall. Slide the 2nd fixture [M] to the first fixture [G].

Attach two fixtures by fastening screws on the joiners [N].

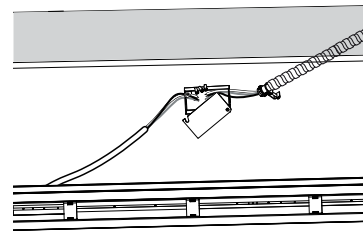
NOTE: Do not overtighten.



3 MAKE ELECTRICAL CONNECTIONS.

WITHOUT JUMPER

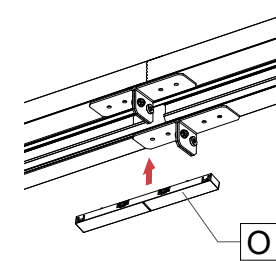
Repeat step 3 from the single unit section.



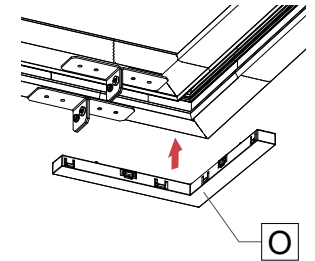
JUMPER

Insert the jumper [O] into the fixture to make the electrical connections if required.

LINEAR



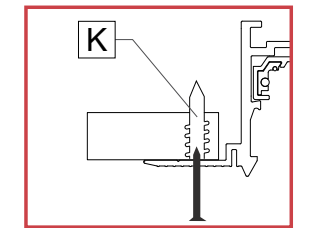
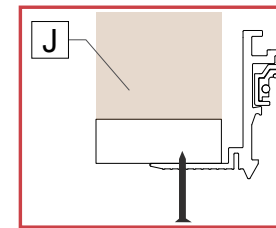
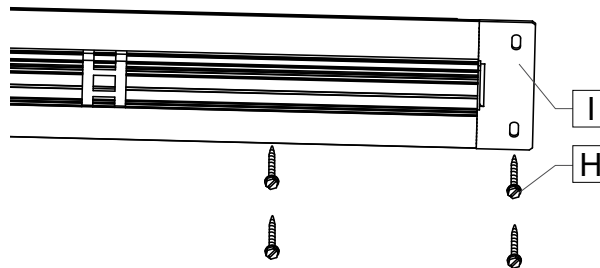
PATTERN



4 INSTALL 2ND FIXTURES.

Fasten drywall screws [H] of 2nd fixture through the obround holes of the flanges [I].

To reinforce the drywall screws [H], wood blocking [J] or drywall anchors [K] must be used.



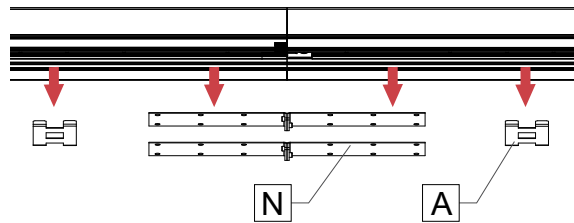
5 REPEAT STEPS **2** TO **4** FOR THE REST OF THE TRACKS IN THE RUN, THEN:

MINI PIVOT

Track - Recessed [MIPIVR]
Drywall Mud Flange

6 REMOVE TEMPORARY BRACKETS.

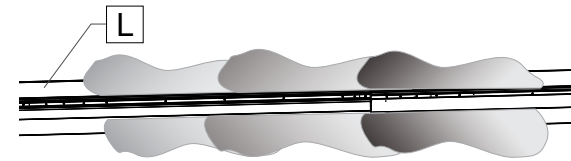
Once the fixture is attached to the ceiling, remove the temporary brackets [A] and the joiners [N].



7 FINISH INSTALLATION.

Plaster and sand over mud flange [L] to create a smooth finish.

NOTE: Clean any excess plaster with a non abrasive cleaner.

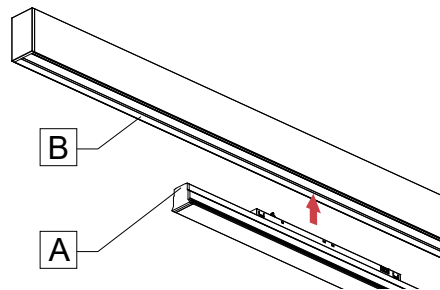


MODULE - LINEAR

1 INSTALLATION.

Insert the module [A] into the track [B].

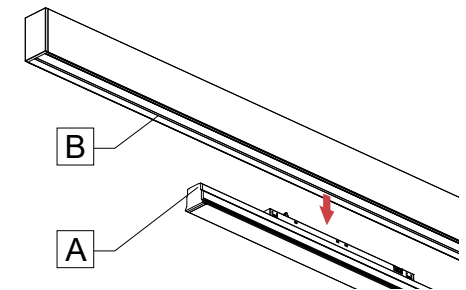
Push the module [A] until it is flush with the track [B].



2 REMOVAL.

Pull the module [A] out from the track [B].

NOTE: Hold the module to prevent it from falling.



MINI PIVOT

Track - Recessed [MIPIVR]
Drywall Mud Flange

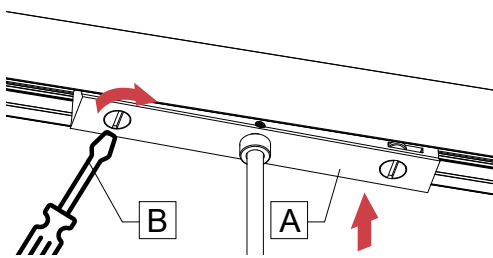
MODULE - ACCENT

1 INSTALLATION.

NOTE: Hold the module all the times.

Insert one end of adapter [A] into the track.

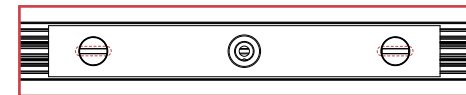
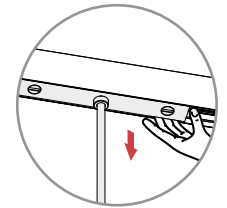
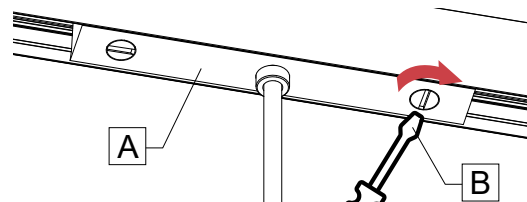
Turn the slotted screw clockwise with flat head screwdriver [B].



Insert the other end of the adapter [A] until it is flush with the track. It must not extend past the track. Turn the slotted screw clockwise with flat head screwdriver [B].

Make sure module is properly installed by gently pulling down on the module.

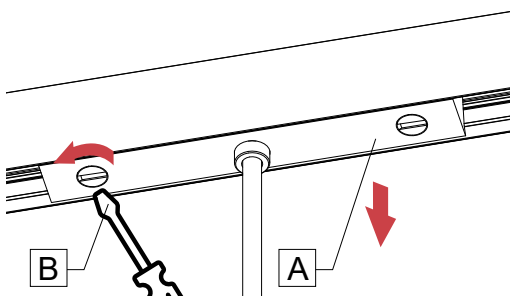
WARNING: Improper installation may result in the module falling down.



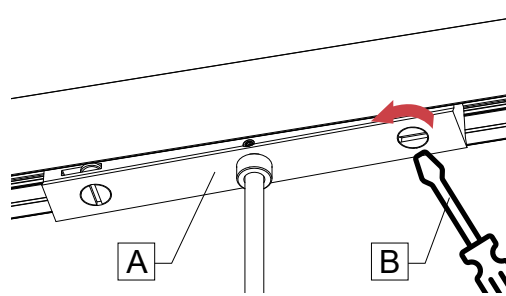
2 REMOVAL.

NOTE: Hold the module all the times.

Remove one end of adapter [A] by turning the slotted screw counterclockwise with flat head screwdriver [B].



Remove the other end of adapter [A] by turning the slotted screw counterclockwise with flat head screwdriver [B].



Pull the module [C] out.

