

MINI PIVOT

Track - Surface [MIPIVS]

GRID CEILING

SAVE THESE INSTRUCTIONS

AND REFER TO THEM WHEN ADDITIONS TO OR CHANGES IN THE TRACK CONFIGURATION ARE MADE.

FOR USE WITH PIVOT TRACK SYSTEM ONLY

The track is only to be used with other electrical fittings identified for use with the track system.
The modules are only to be used with the Pivot track system.

IMPORTANT SAFETY INSTRUCTIONS:

When installing or using this track system, basic safety precautions should always be followed, including the following :

Read all of these installation instructions before installing the track system.

Wire dimming conductors as Class 1.

Make sure that the power to the track is turned off.

The track system is not intended for use with a power supply cord or convenience receptacle adaptor.

Do not install in wet or damp locations.

Do not cut any track sections.

Do not install any part of a track system less than 5 feet above the floor.

Do not install any luminaire assembly closer than 6 inches from any curtain or similar combustible material.

Disconnect electrical power before adding to or changing the configuration of the track. Do not attempt to energize anything other than lighting track luminaires on the track. To reduce the risk of fire and electric shock, do not attempt to connect power tools, extension cords, appliances, and the like to the track.

Track sections 1.2 m or less in length require two supports for mounting the track. For longer track sections, spacing between supports shall not exceed 1.2 m.



This product must be installed in accordance with the National Electrical Code and all applicable local codes, by a person familiar with the construction and operation of the product, and the hazards involved. Proper grounding is required for safety.

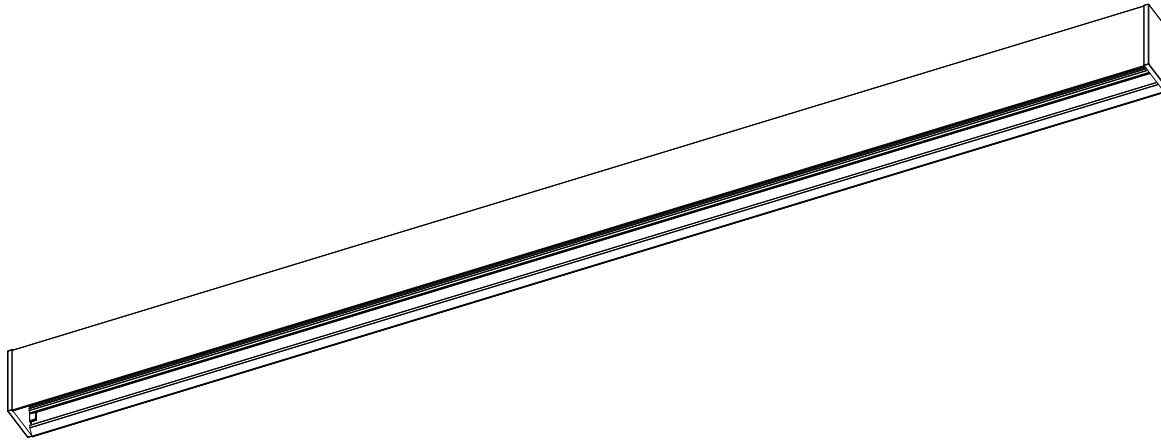
Ce produit doit être installé suivant le code national de l'électricité, ainsi que tous les codes locaux applicables, par une personne familière avec la construction et le fonctionnement du produit, ainsi que tous les risques qui y sont associés. La mise à terre électrique est obligatoire pour la sécurité.



MINI PIVOT

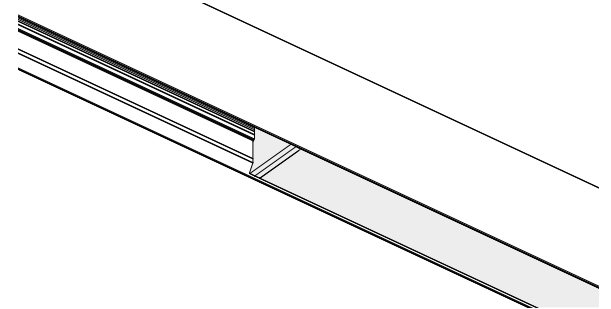
Track - Surface [MIPIVS]
GRID CEILING

OVERVIEW - TRACK

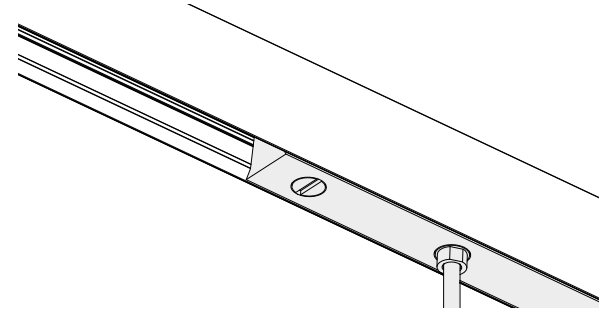


MODULE

Linear



Accent



Index

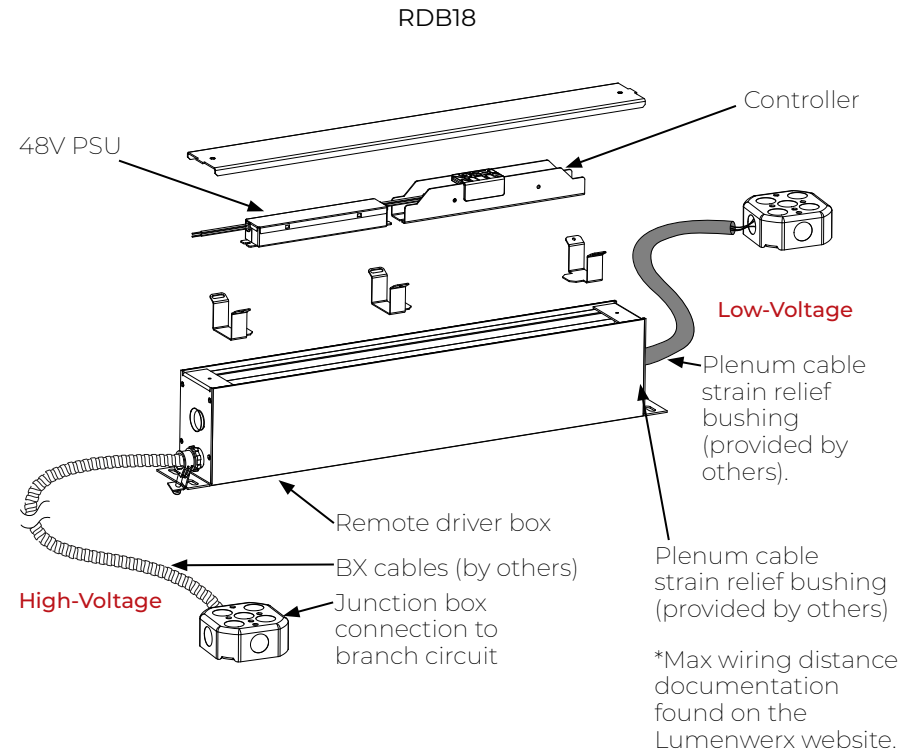
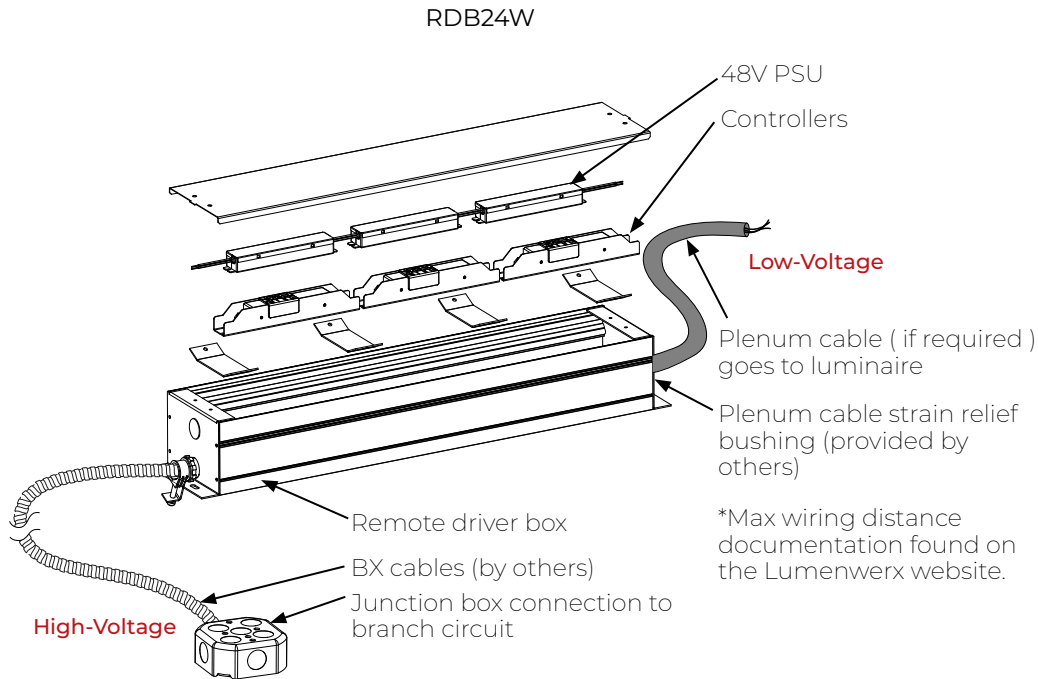
| | |
|------------------------------------|-----|
| IMPORTANT SAFETY INSTRUCTIONS..... | P.1 |
| REMOTE DRIVER BOX | P.3 |
| SINGLE UNIT..... | P.5 |
| CONTINUOUS RUN | P.6 |
| MODULE INSTALLATION | P.7 |

MINI PIVOT

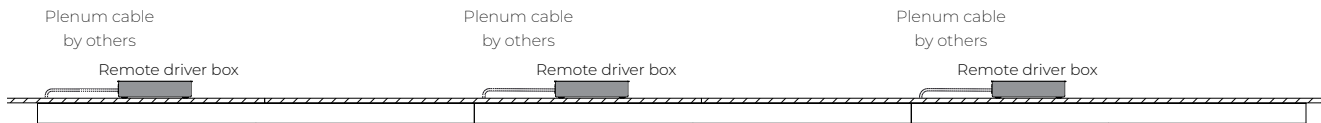
Track - Surface [MIPIVS]
GRID CEILING

Installation Instructions

OVERVIEW - REMOTE DRIVER BOX



Continuous run Installation



MINI PIVOT

Track - Surface [MIPIVS] GRID CEILING

Installation Instructions

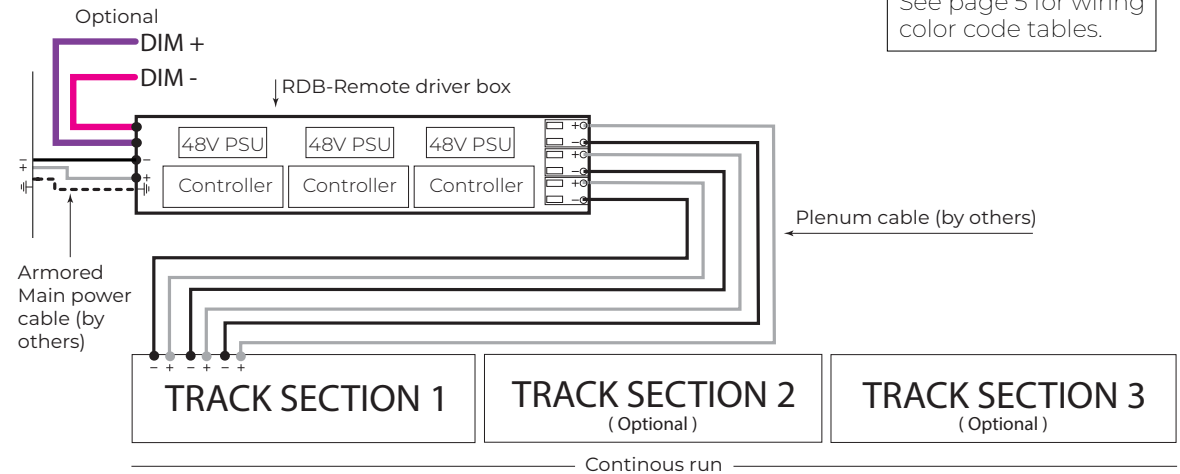
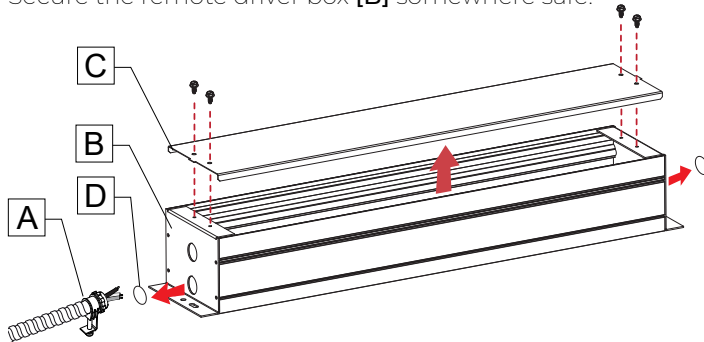
RDB - REMOTE DRIVER BOX

1 PREPARE REMOTE DRIVER BOX.

Bring high-voltage and dimming connections (optional) via BX cable [A] (by others), towards the remote driver box [B].

Remove lid [C] by unscrewing the screws and remove power knock outs [D].

Secure the remote driver box [B] somewhere safe.

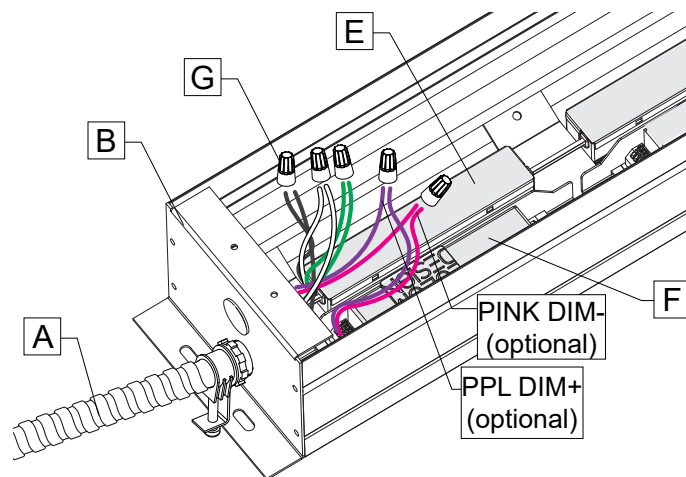


See page 5 for wiring color code tables.

2 HIGH VOLTAGE.

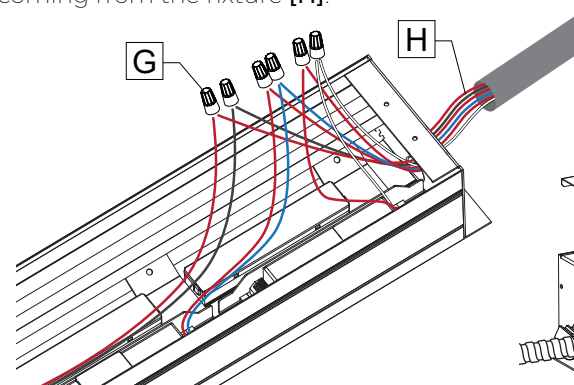
Bring and secure the BX cable [A] to the driver box [B] using fittings (by others).

Make the wire connections between the BX cable [A], the 48V power supply [E] and the controller [F] using wire nuts [G].



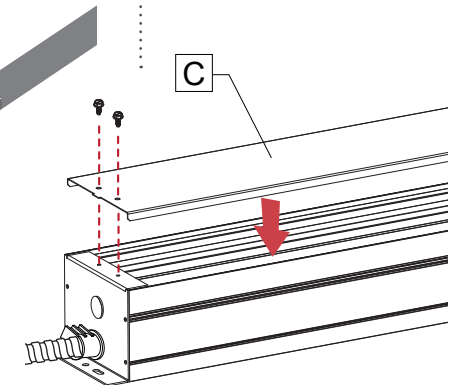
3 LOW VOLTAGE.

Make the low-voltage wire connections through a single knockout using wire nuts [G] by matching the colors from the remote driver box to those coming from the fixture [H].



4 INSTALL LID.

Install lid [C] by fastening it down with the supplied screws.



MINI PIVOT

Track - Surface [MIPIVS] GRID CEILING

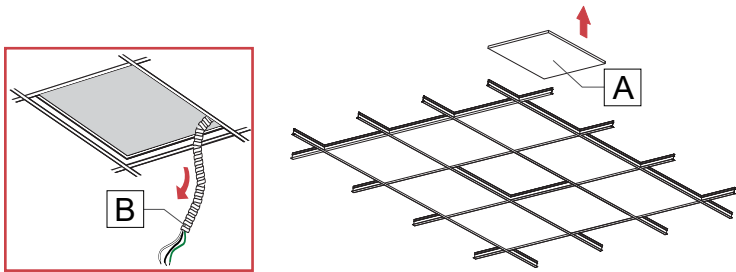
SINGLE UNIT

1 PREPARE CEILING OPENING.

Remove ceiling tiles [A] where the fixture will be installed as well as the adjacent tiles for easy access during installation.

Bring the main power cable [B] (by others).

CAUTION: Make sure the electrical power is turned off.



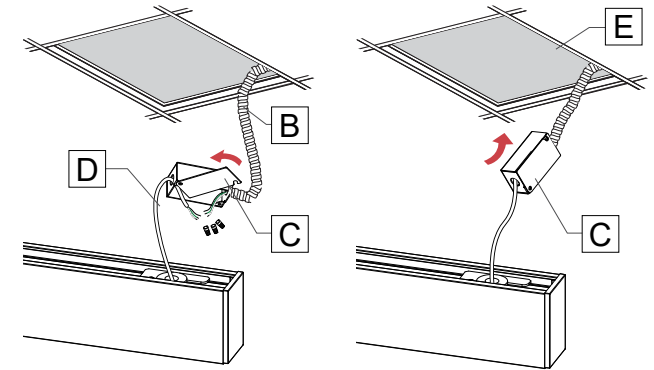
2 MAKE ELECTRICAL CONNECTIONS.

Unfasten the screw and pivot the J-box cover [C]. Pass the main power cable [B] (by others) through the cable connector (by others), and install onto the J-box [C].

Make electrical connections between the main power cable [B] and fixture cable [D] using wire nuts (by others). Close the J-box cover [C]. Insert the J-box [C] into the ceiling opening [E].

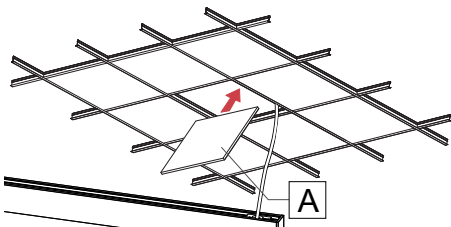
NOTE: Connect the green wire to your ground wire.

WARNING: A luminaire with more than one power supply connection means shall be connected to only one branch circuit.



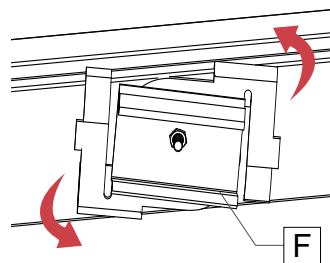
3 CLOSE CEILING OPENING.

Close ceiling tiles [A].



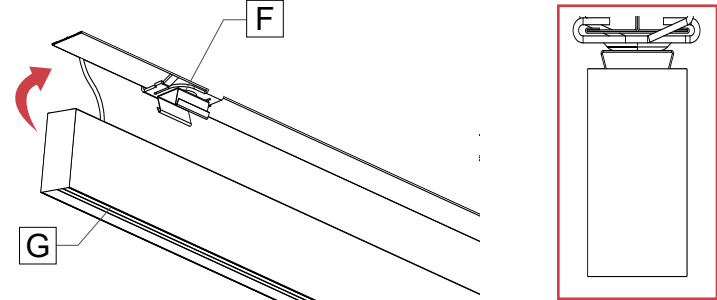
4 FIX FIXTURE TO BRACKET.

Install the brackets [F] to T-bar.



Insert fixture [G] into the brackets [F].

NOTE: Gently pull down on the fixture to test if the brackets are in the grooves.



MINI PIVOT

Track - Surface [MIPIVS] GRID CEILING

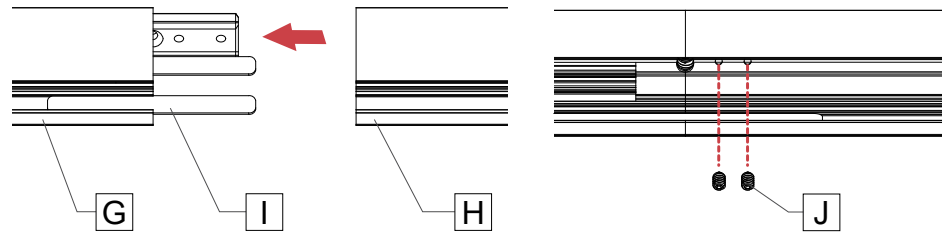
CONTINUOUS RUN - LINEAR & PATTERN

1 FOR CONTINUOUS RUN, REPEAT STEPS **1** TO **4** FROM THE SINGLE UNIT SECTION FOR THE FIRST TRACK IN THE RUN, THEN:

2 JOIN THE FIXTURES.

Slide the 2nd fixture [H] to the 1st fixture [G] aligning the blades [I] and push the 2nd fixture [H] until it clicks in.

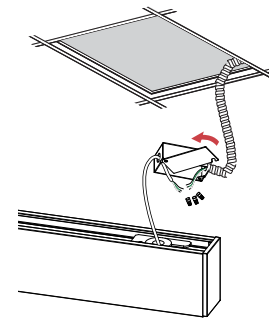
Secure the joiner using set screws [J].



3 MAKE ELECTRICAL CONNECTIONS BETWEEN FIXTURES.

WITHOUT JUMPER

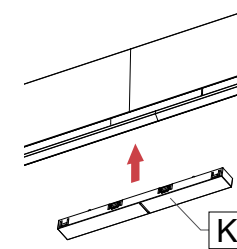
Repeat step 2 from the single unit section.



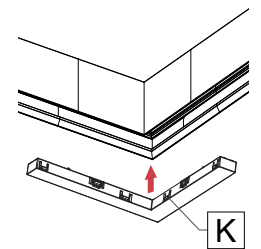
JUMPER

Insert the jumper [K] into the fixture to make the electrical connections if required.

LINEAR



PATTERN

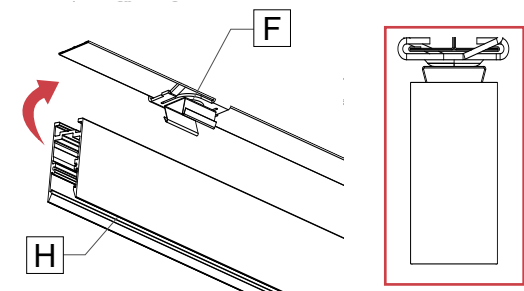
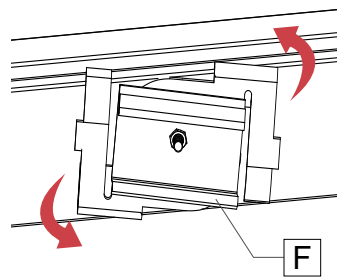


4 FIX 2ND FIXTURE TO BRACKET.

Install the brackets [F] to T-bar.

Insert 2nd fixture [H] into the brackets [F].

NOTE: Gently pull down on the fixture to test if the brackets are in the grooves.



5 REPEAT STEPS **2** TO **4** FOR THE REST OF THE TRACKS IN THE RUN.

MINI PIVOT

Track - Surface [MIPIVS]
GRID CEILING

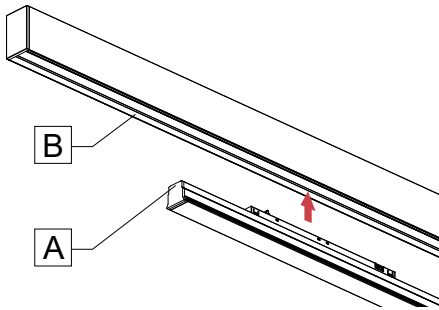
Installation Instructions

MODULE - LINEAR

1 INSTALLATION.

Insert the module [A] into the track [B].

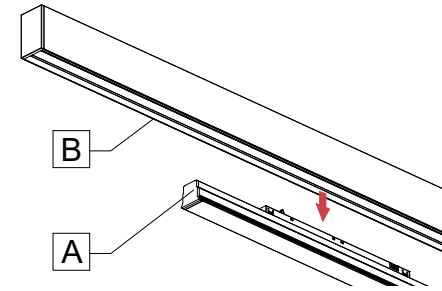
Push the module [A] until it is flush with the track [B].



2 REMOVAL.

Pull the module [A] out from the track [B].

NOTE: Hold the module to prevent it from falling.



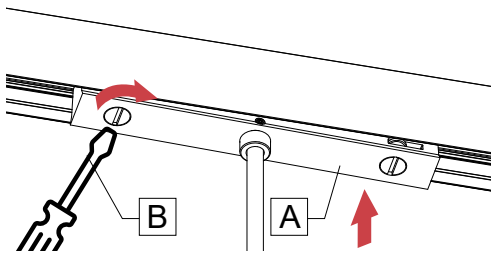
MODULE - ACCENT

1 INSTALLATION.

NOTE: Hold the module all the times.

Insert one end of adapter [A] into the track.

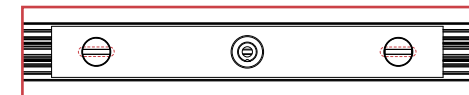
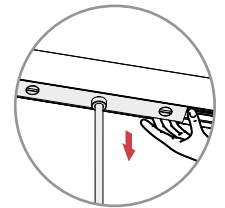
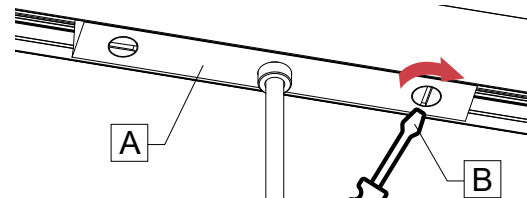
Turn the slotted screw clockwise with flat head screwdriver [B].



Insert the other end of the adapter [A] until it is flush with the track. It must not extend past the track. Turn the slotted screw clockwise with flat head screwdriver [B].

Make sure module is properly installed by gently pulling down on the module.

WARNING: Improper installation may result in the module falling down.



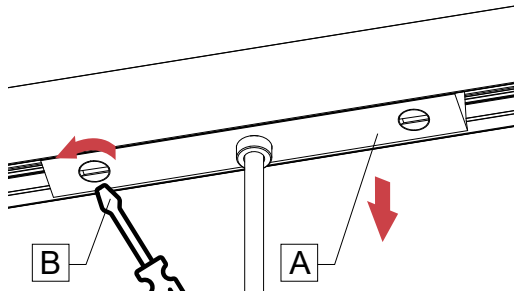
MINI PIVOT

Track - Surface [MIPIVS] GRID CEILING

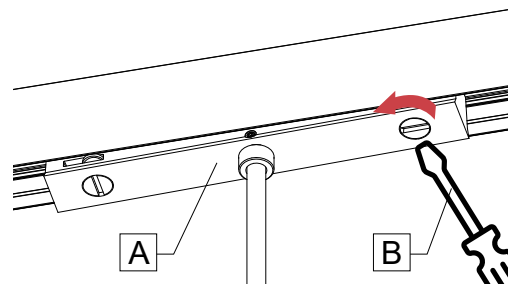
2 REMOVAL.

NOTE: Hold the module all the times.

Remove one end of adapter [A] by turning the slotted screw counterclockwise with flat head screwdriver [B].



Remove the other end of adapter [A] by turning the slotted screw counterclockwise with flat head screwdriver [B].



Pull the module [C] out.

