

# MINI PIVOT TRACK

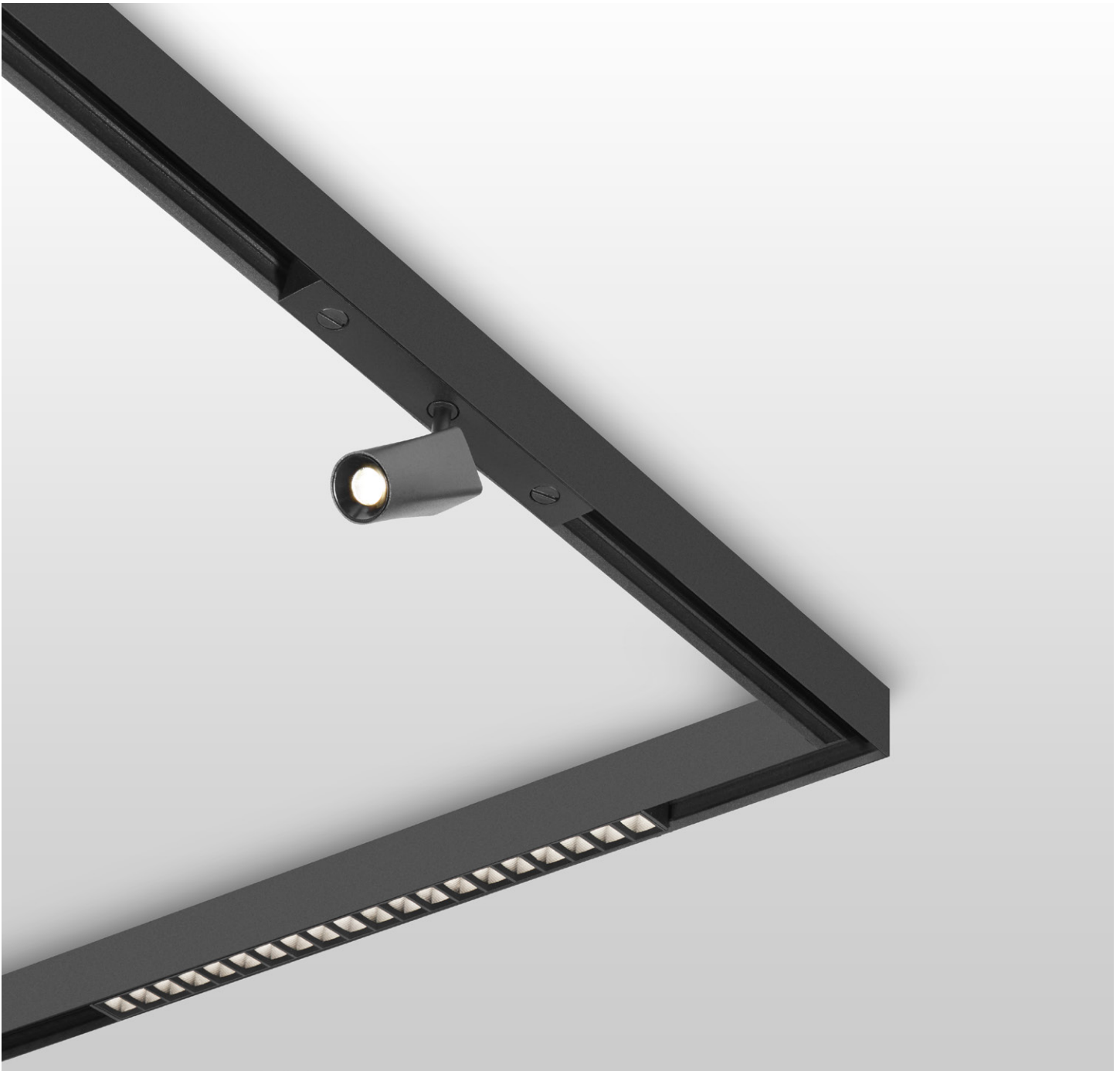
SURFACE  
DIRECT

 **Lumenwerx**



## DESCRIPTION

The Mini Pivot Surface Track is low voltage and accommodates the Mini Pivot Track Modules. It possesses infinite run capabilities in segments of up to 8' with smooth transitions at the joint. It can also branch out to create a multitude of shapes, patterns, and effects for various architectural applications.



# MINI PIVOT TRACK

SURFACE  
DIRECT



Project: \_\_\_\_\_  
Type: \_\_\_\_\_

## Track

Example: MIPIVS-D-CR-9FT6IN(1X6FT-1X3FT6IN)-NA-120V-RD1-DRC-1C-FTMB

A drawing of your pattern is required - anything from a line drawing to an architectural drawing. You can also use the grid on page 4 to sketch your layout.

LUMINAIRE ID	DISTRIBUTION	TRACK TYPE	LUMINAIRE LENGTH <sup>3</sup>	CORNER TYPE <sup>4</sup>
<b>MIPIVS</b>	<b>D</b>			
MIPIVS - Mini Pivot Surface	D - Direct	<b>CR</b> <sup>1</sup> - Continuous run <b>PAT</b> <sup>2</sup> - Pattern  <sup>1</sup> A straight linear shape with no corners. <sup>2</sup> A shape or pattern containing at least 1 corner.	<b>##FT##IN</b> <b>(#X#FT#IN-#X#FT#IN-...)</b> -  <b>##FT##IN</b> : total nominal length of continuous run or pattern in feet and/or inches (3' or longer) <b>#X</b> : quantity of each section <b>#FT#IN</b> : nominal length of each section in feet and/or inches, specify between 3' and 8'  <sup>3</sup> Consult the Maximum Track Wattage table on page 3 to determine the maximum load allowed per section.	<b>#LEVC90</b> <sup>5</sup> - Leveled 90° corner in ceiling <b>#INN90</b> - Inside 90° corner <b>NA</b> - None  <sup>4</sup> Specify number of corners (#) for each required corner type. <sup>5</sup> Consult factory for other degree angles.

VOLTAGE	DIMMING	MOUNTING	ELECTRICAL	FINISH
			<b>1C</b>	
<b>120V</b> - 120V <b>277V</b> - 277V <b>UNV</b> - 120V-277V	<b>INTEGRAL</b> <sup>6</sup>  <b>ND</b> - Non-dimming <b>DA</b> <sup>7</sup> - DALI	<b>REMOTE</b>  <b>RND</b> - Non-dimming <b>RD1</b> - 1% 0-10V <b>RDA</b> <sup>7</sup> - DALI	<b>DRC</b> - Drywall ceiling <b>TC9</b> - Tegular 9/16" <b>TG15</b> - Tegular 15/16" <b>TB9</b> - T-bar 9/16" <b>TB15</b> - T-bar 15/16"	<b>1C</b> - 1 circuit  <b>FTMB</b> - Matte black <b>FTMW</b> - Matte white <b>CF#</b> <sup>8</sup> - Custom finish, specify RAL#  <sup>8</sup> A black track is provided when a custom finish is selected for the housing.

### CURRENT LIMITER

The Mini Pivot Track system is based on a low-voltage (48 VDC) design where the AC/DC conversion may be in the track like a module (INTEGRAL) or outside the track (REMOTE). In both cases, the AC/DC 48V power supplies that power each track section are inherently limited to specific wattages intended to provide at least 8 W/ft. Accordingly, if a track section is overloaded with modules, the system will not be able to draw more wattage than the rating of the 48V AC/DC power supply. In situations where the wattage of the modules installed in a given track section exceeds the rated wattage of the corresponding AC/DC 48V power supply, flashing will typically occur to indicate an overload event.

# MINI PIVOT TRACK



SURFACE  
DIRECT

## Track Details

Use the grid on page 4 to sketch and label the layout of your Mini Pivot Track.

- Build your continuous run or pattern using track sections of 3' to 8'.
- The total wattage of all the modules installed in a track section must not exceed the maximum track wattage per section length (see table). Consult the Mini Pivot Module spec sheet for the wattages of each module.
- Corners are unlit.
- Track length is not field adjustable.



**LEVC90**  
- Levelled 90° corner in ceiling



**INN90**  
- Inside 90° corner

### Maximum Track Wattage \*

at 3500K at 80+ CRI

! Do not exceed the maximum wattage allowed per section of track.

LENGTH	WATTAGE
3'	24 W
4'	32 W
5'	40 W
6'	48 W
7'	56 W
8'	64 W

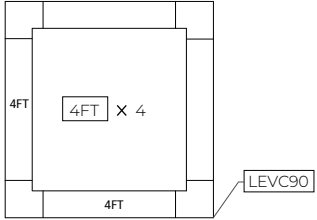
\* To determine the maximum wattage allowed per section of track, multiply the length of your section by 8 W/ft.

# MINI PIVOT TRACK



SURFACE  
DIRECT

## Pattern example



1. Specify the **TOTAL LUMINAIRE LENGTH** in feet and/or inches.

Example: 16FT(4X4FT)

2. Specify the quantity of each **CORNER TYPE**.

Example: 4LEVC90

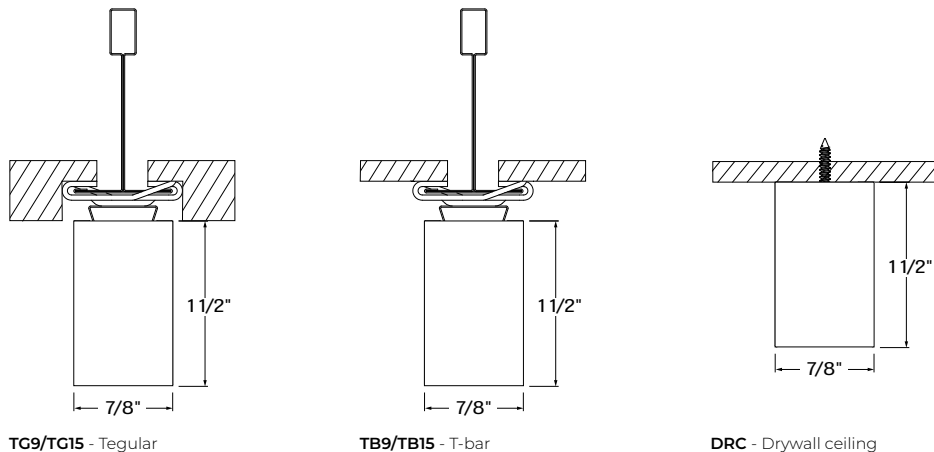


# MINI PIVOT TRACK



SURFACE  
DIRECT

## Dimensions



TC9/TC15 - Tegal

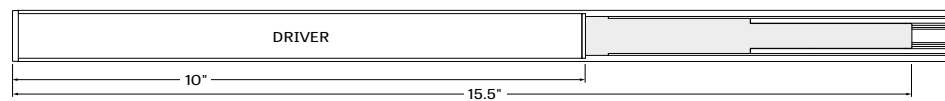
TB9/TB15 - T-bar

DRC - Drywall ceiling

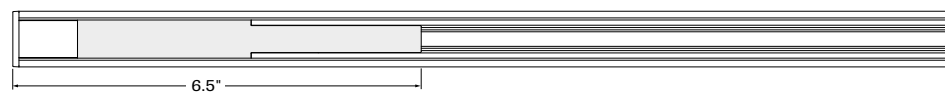
## END FEED

Modules cannot be inserted into the portion of the track where there is an end feed and/or remote driver. An end feed will be installed at every feed location.

### Integral driver



### Remote driver



# MINI PIVOT TRACK

SURFACE  
DIRECT



## Technical Specifications

### LUMINAIRE LENGTH

Mini Pivot Track is available as either as a continuous run (straight linear shape with no corners) or as a pattern (shape or pattern containing at least 1 corner). It is built using track sections of 3' to 8'. The total nominal length must be specified in the product code, as well as the quantity and nominal length of each section. Lengths can be ordered in 1' and/or 1" increments. The track length is not field adjustable.

All individual sections are joined together onsite using the joiner kits provided. Lumenwerx offers joiner kits that are extremely simple to work with in the field.

### ELECTRICAL

The Mini Pivot Track is powered by a track-mounted or remote-mounted 48 VDC, Class 2, SELV power supply with universal (120-277 VAC) input. Rated lifetime of 50,000 hours at 50°C max. ambient (and 70°C max. case) temperature. At maximum driver load: Efficiency > 90%, PF > 0.9, THD < 20%. Logarithmic dimming curve is provided for DA and D1 driver options.

### MOUNTING

Fixtures can be mounted directly to drywall or grid ceiling, hardware supplied by others.

### FINISH

Matte white and black. Custom colors also available (provide RAL #).

### CONSTRUCTION

**Track housing:** Extruded aluminum, up to 90% recycled content

**Joining system:** Die-cast zinc

**Blank cover:** Extruded aluminum

**End cap:** Die-cast aluminum

### WEIGHT

**4':** 2.43 lbs - 1.1 kg

**8':** 4.85 lbs - 2.2 kg

**12':** 7.28 lbs - 3.3 kg

### CERTIFICATION

**ETL:** Rated for indoor dry locations. Conforms to UL Standard 1574 and certified to CAN/CSA Standard C22.2 No. 250.0.

### WARRANTY

Lumenwerx provides a five-year limited warranty on electrical and mechanical performance of the luminaires, including the LED boards, drivers, and auxiliary electronics. Lumenwerx will repair or replace defective luminaires or components at our discretion, provided they have been installed and operated in accordance with our specifications. Other limitations apply, please refer to the full warranty on our website.