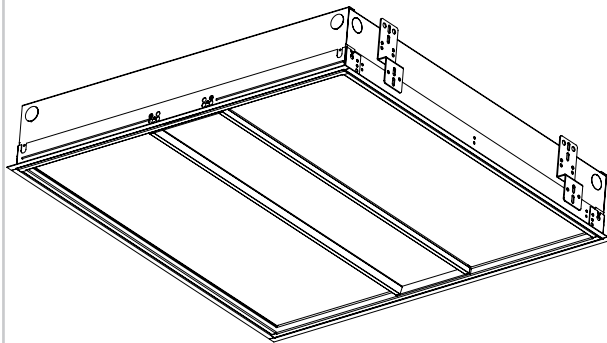


IMPORTANT: Installation instructions are shown with Nova and applies to Nova and Vega fixtures

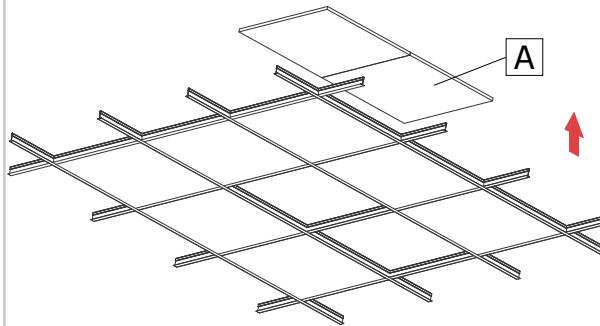
NOTE: Wire dimming conductors as Class 1

1 SINGLE FIXTURE



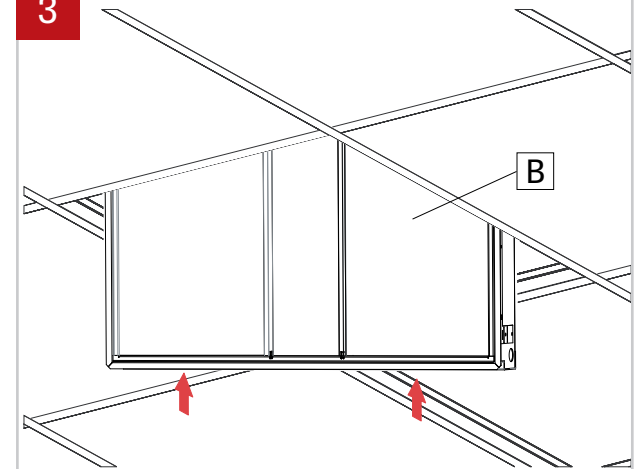
Make sure the power to the fixture is turned off.

2



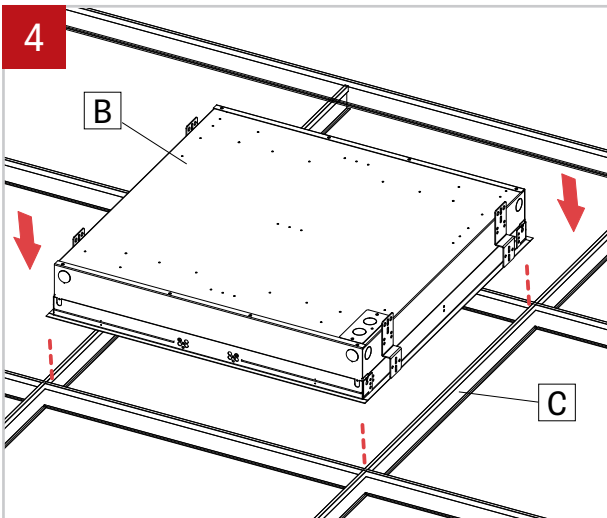
Remove ceiling tiles (A) where the fixture will be installed and adjacent tiles for easy access during installation.

3



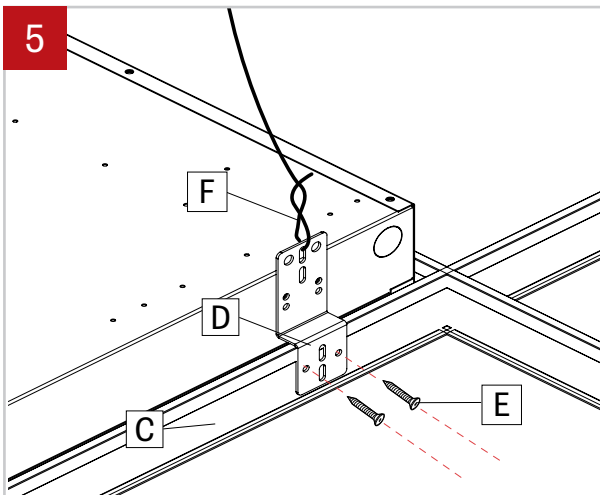
Insert the fixture (B) above the ceiling grid as shown.

4



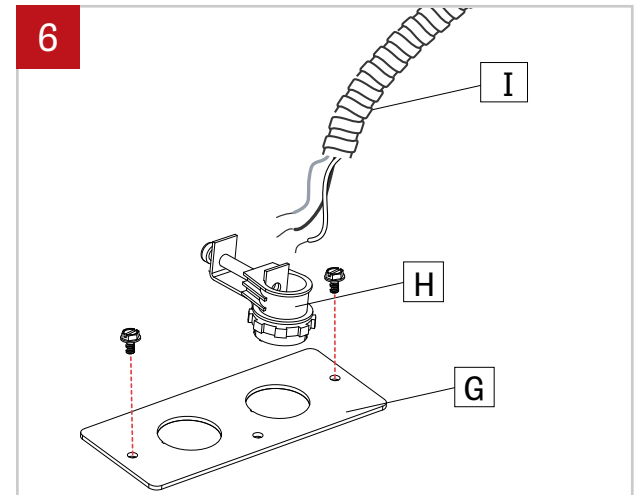
Lower the fixture (B) onto the T-bar grid (C).

5

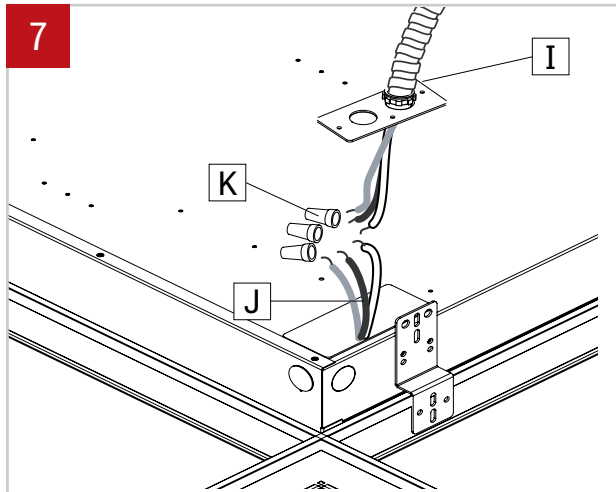


Secure the T-bar brackets (D) to the T-bars (C) with screws (E) (by others). For additional safety, a security wire (F) can be attached from the tabs.

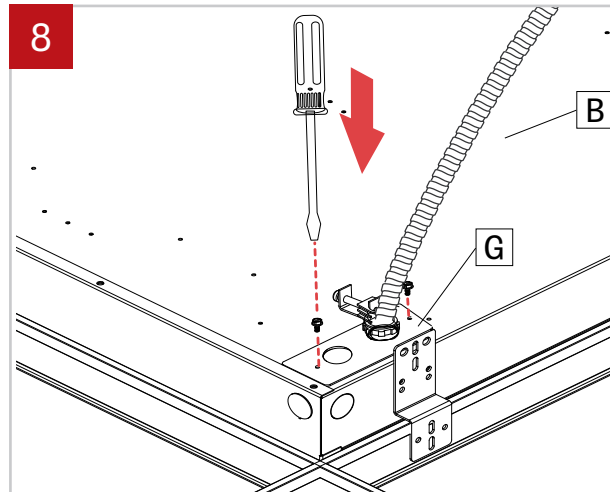
6



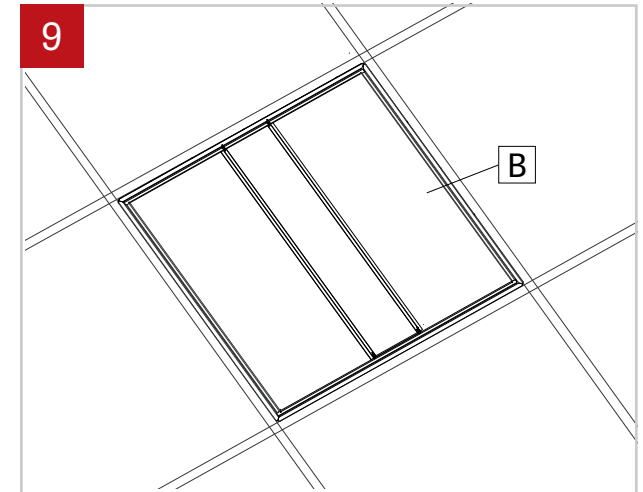
Remove power plate (G) from fixture and install BX connector (H) (by other) and BX cable (I) (by other) through the power plate. Tighten BX connector (H) screw.



7
Connect cables from the BX cable (I) to the fixture driver cables (J) using wire nuts (K) (by others). Ensure connections comply with local and national electrical codes.



8
Push connected wires inside the fixture. Reinstall power plate (G) onto fixture (B) by refastening screws to power plate (G) and fixture (B).



9
Power to the fixture (B) can now be safely turned on.