


PETITE CYLINDER


Pendant - Flat Round Canopy, Ø 3"





INSTALLATION INSTRUCTIONS


 This product must be installed in accordance with the National Electrical Code and all applicable local codes, by a person familiar with the construction and operation of the product, and the hazards involved. Proper grounding is required for safety.

Ce produit doit être installé suivant le code national de l'électricité, ainsi que tous les codes locaux applicables, par une personne familière avec la construction et le fonctionnement du produit, ainsi que tous les risques qui y sont associés. La mise à terre électrique est obligatoire pour la sécurité.


 Disconnect power before installation or servicing.

 Wire dimming conductors as Class 1.

 A luminaire with more than one power supply connection means shall be connected to only one branch circuit.

 For electrical connections, please refer to the [wiring diagram guide](#).

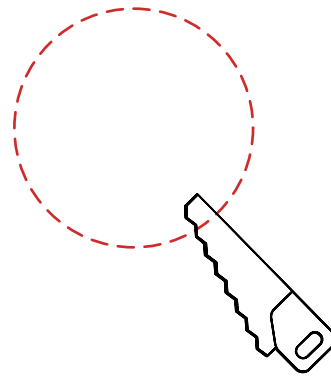


 For remote driver box installation instructions, please refer to the [remote driver installation sheet](#).



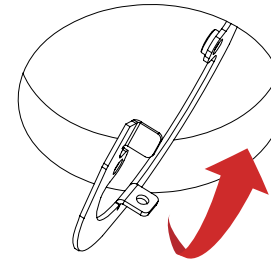
1 PREPARE CEILING.

Cut out a 2 3/4" hole into ceiling with a hole saw.

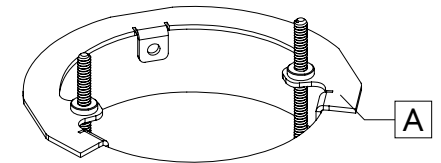


2 INSTALL MOUNTING PLATE.

Insert and position the remodel mounting plate **[A]** into the ceiling hole.



CEILING VIEW



PETITE CYLINDER

Pendant - Flat Round Canopy, Ø 3"

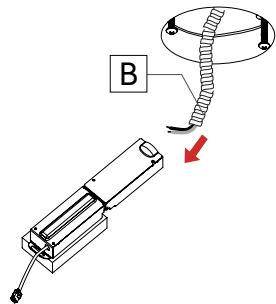


INSTALLATION INSTRUCTIONS

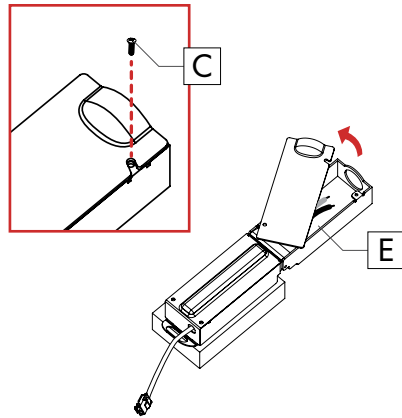
3 MAKE ELECTRICAL CONNECTIONS.

INTEGRAL DRIVER

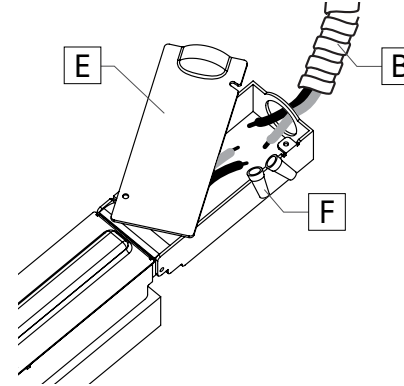
Bring main power cable [B] from the ceiling opening.



Unfasten screw [C] and pivot the cover of the remodel box [E].



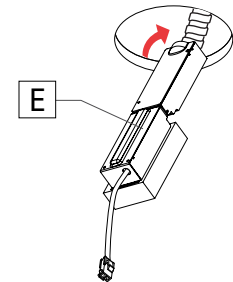
Make electrical connections between main power cable [B] and the remodel box [E] with wire nuts [F].



4 INSERT DRIVER.

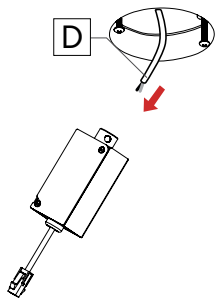
Place the remodel box [E] or the connection box [G] into the ceiling.

INTEGRAL DRIVER

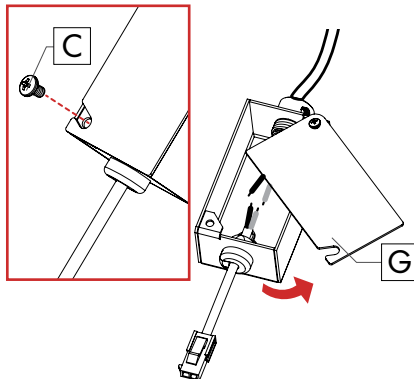


REMOTE DRIVER

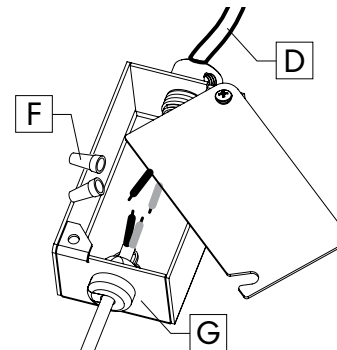
Connect the main AC power cable to the remote driver box. Then bring the remote driver box DC cable [D] from the ceiling opening.



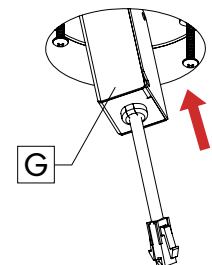
Unfasten screw [C] and pivot the cover of the low-voltage connection box [G].



Make electrical connections between the remote driver box DC cable [D] and the low-voltage connection box [G] with wire nuts [F].



REMOTE DRIVER



PETITE CYLINDER

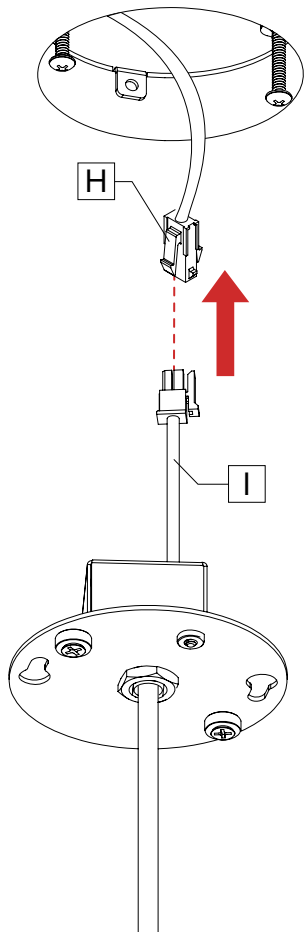
Pendant - Flat Round Canopy, Ø 3"



INSTALLATION INSTRUCTIONS

5 CONNECT FIXTURE.

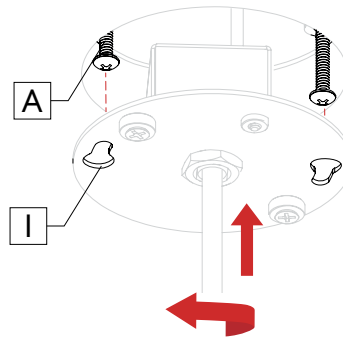
Make electrical connections between quick connectors [H] and fixture assembly [I] using the quick connect.



6 INSTALL FIXTURE ASSEMBLY.

Install fixture assembly [I] on the remodel mounting plate [A] by aligning the key holes with the screws.

Do a quarter of a turn and tighten the screws to secure the fixture assembly [I].



7 INSTALL CANOPY.

Slide the flat canopy [J] on the power cable or stem [K] and secure with the magnets to the ceiling.

