

# PETITE 1" Multi-aperture Downlight - Recessed



**!** This product must be installed in accordance with the National Electrical Code and all applicable local codes, by a person familiar with the construction and operation of the product, and the hazards involved. Proper grounding is required for safety.

Ce produit doit être installé suivant le code national de l'électricité, ainsi que tous les codes locaux applicables, par une personne familière avec la construction et le fonctionnement du produit, ainsi que tous les risques qui y sont associés. La mise à terre électrique est obligatoire pour la sécurité.

**!** Wire dimming conductors as Class 1.

**💡** For electrical connections, please refer to the [wiring diagram guide](#).



## OVERVIEW

### **!** Warnings

Install per national installation and accident prevention regulations.

Clearance between sides of luminaire and parts of building must be 1/2" minimum; clearance to insulating materials to be 3" minimum, unless luminaires is IC rated.

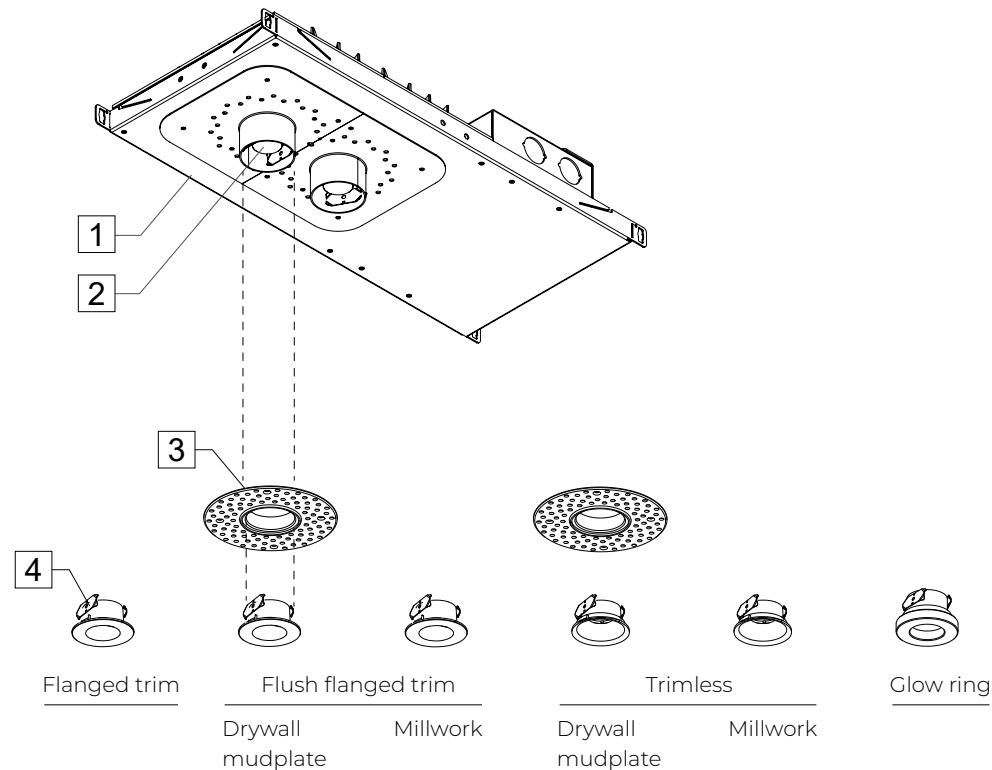
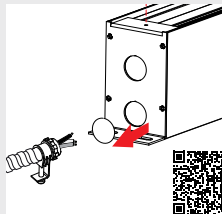
Fixtures must be installed in applications where the ambient temperature does not exceed 40° C during normal operation.

Do not connect or disconnect LED board wire connector when the fixture is energized. This may result in permanent damage to the LED array.

Warranty claims will not be accepted if incorrect driver or light element is used.

Do not cover the light element lens or heatsink with any materials or adhesive tapes.

**💡** For remote driver box, please refer to the [remote driver installation sheet](#) for more information.



### Index

Go to pages related to product configuration.

Mounting Options.....P.3  
 Electrical Connection.....P.4  
 Ceiling Preparation.....P.5  
 Adjustable Light Element P.6

### **🔧** Tools Required

Adjustable Hole Cutter  
 Drywall Knife <sup>2</sup>  
 Hammer  
 #2 Phillips screwdriver

<sup>2</sup> Or router.

### Items List

**[1]** - Mounting Frame  
**[2]** - Light Element  
**[3]** - Mudplate  
**[4]** - Baffle



# PETITE 1" Multi-aperture Downlight - Recessed

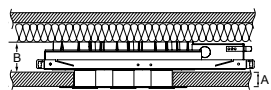


## OVERVIEW - DIMENSIONS

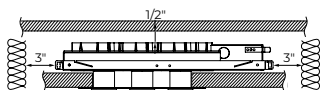
IC - Type-IC / NIC - Type Non-IC / CP - Chicago Plenum Type-IC (CCEA)		
	1X2M - 1X2	1X3M - 1X3
<b>INTEGRAL</b>		
<b>REMOTE</b>		

- For integral, access above the ceiling is required.
- For dimension B, see the PLENUM CLEARANCE table below.

### PLENUM CLEARANCE



IC/CP - Insulated ceiling



NIC\* - Non-insulated ceiling

\* No insulation within 3" of the fixture.

### RECESSED (FIXED) AND WALL WASH

PLENUM CLEARANCE HEIGHT AND CEILING THICKNESS					
		IC/CP		NIC	
A	Ceiling thickness	1IN	0.5IN	1IN	0.5IN
	Integral	2 1/8" (FMB) 4" (ASB, ACB, AHC)		2 5/8" (FMB) 4" (ASB, ACB, AHC)	
B	Remote	1 3/4" (FMB) 4" (ASB, ACB, AHC)	2 1/8" (FMB)	2 1/4" (FMB) 4" (ASB, ACB, AHC)	2 5/8" (FMB)

### ADJUSTABLE

PLENUM CLEARANCE HEIGHT AND CEILING THICKNESS			
		IC/CP	NIC
A	Ceiling thickness	1IN	1IN
B	Integral Remote	2 1/8" (FMB) 4" (ASB, ACB, AHC)	2 5/8" (FMB) 4" (ASB, ACB, AHC)



# PETITE 1" Multi-aperture Downlight - Recessed

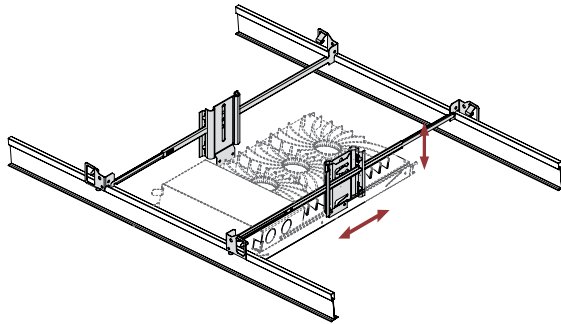


## MOUNTING OPTIONS

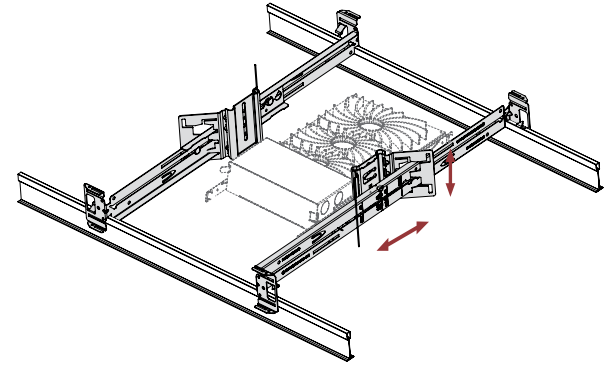
For mounting options instructions, please refer to the [downlight mounting options guide](#) on our website.



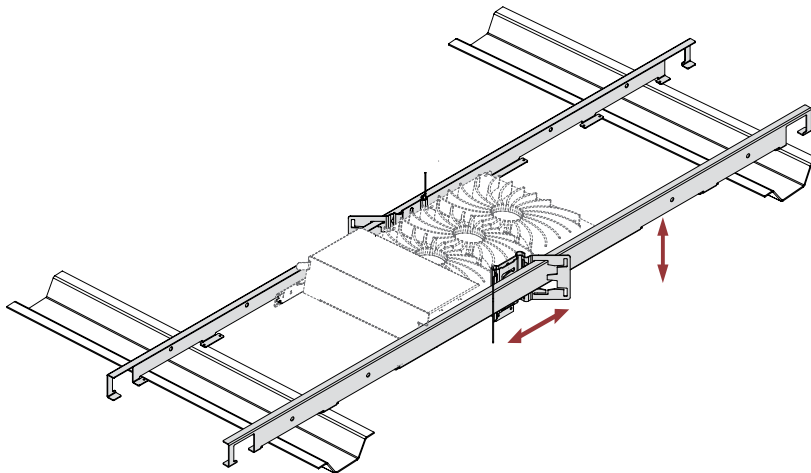
### ASB - ADJUSTABLE STANDARD BAR HANGERS



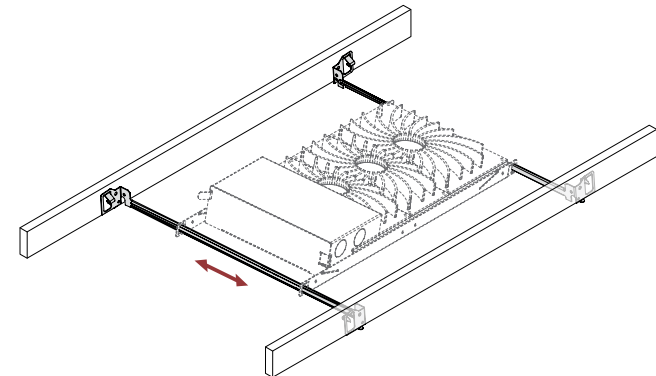
### ACB - ADJUSTABLE COMMERCIAL BAR HANGERS



### AHC - ADJUSTABLE HAT CHANNEL BARS



### FMB - FLUSH MOUNT BARS



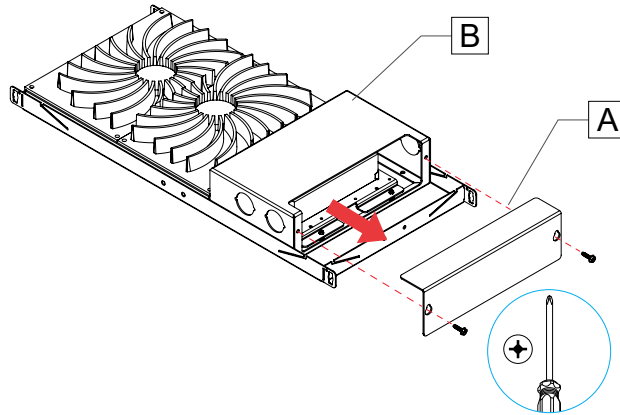
# PETITE 1" Multi-aperture Downlight - Recessed



ELECTRICAL CONNECTION Access from above ceiling required.

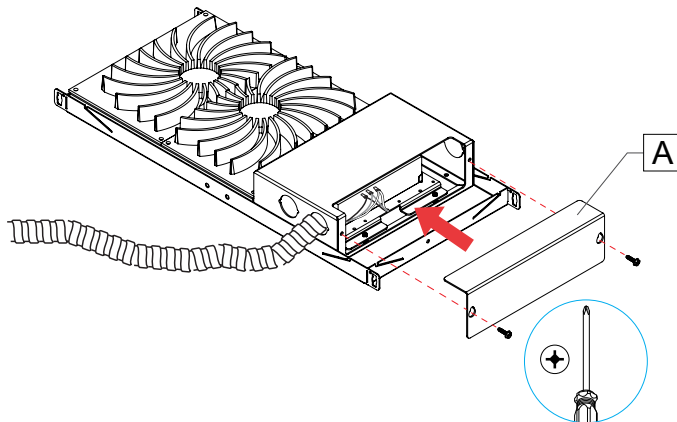
## 1 OPEN COVER.

Unscrew the cover [A] to access the electrical box [B].



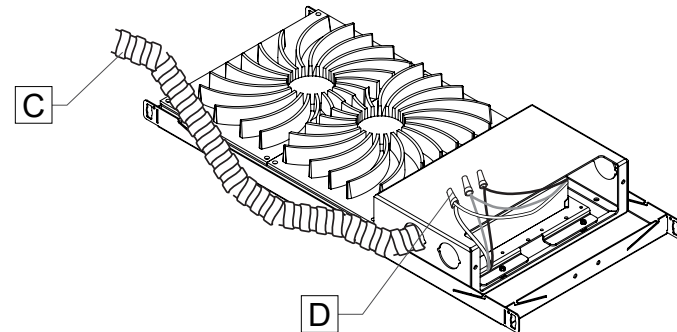
## 3 CLOSE COVER.

Re-install the cover [A] and tighten screws.



## 2 MAKE ELECTRICAL CONNECTIONS.

Install BX cable [C] to knockout and make the electrical connections with wire nuts [D].



For electrical connections, please refer to the [wiring diagram guide](#).



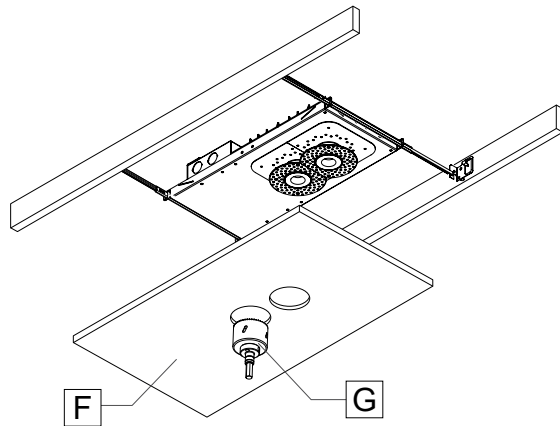
# PETITE 1" Multi-aperture

Downlight - Recessed



## CEILING PREPARATION

### 1 CUT OPENING IN CEILING.



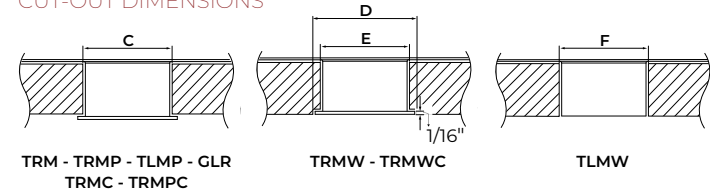
#### DRYWALL CEILING / GRID CEILING

Cut opening in drywall ceiling [F] or grid ceiling tile with drywall knife or router [G].

#### MILLWORK CEILING

Cut opening in wood ceiling [F] with router [G].

### CUT-OUT DIMENSIONS

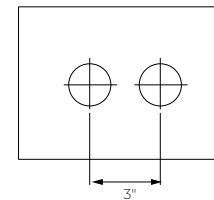


TRM - TRMP - TLMP - GLR  
TRMC - TRMPC

TRMW - TRMWC

TLMW

CUT-OUT DIMENSIONS				
		Drywall	Acoustic tile	Millwork
C	TRM / TRMC	Ø 1 11/16"		N/A
	TRMP / TLMP / TRMPC	Ø 1 11/16"	N/A	
	GLR	Ø 1 11/16"		
D	TRMW / TRMWC	N/A		Ø 1 13/16"
E				Ø 1 11/16" with 1/16" lip
F	TLMW	N/A	Ø 1 11/16"	

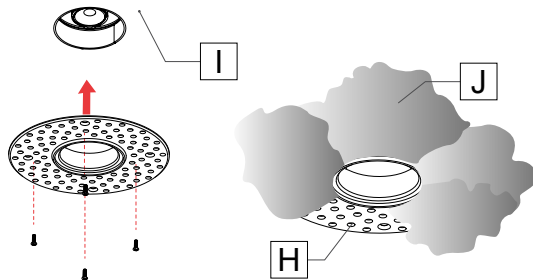


Cut-out center-to-center dimension	
3"	

### 2 ATTACH MUDPLATE.

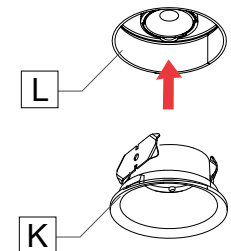
#### TRIMLESS DRYWALL MUDPLATE

Attach mudplate [H] to ceiling [I] and screw onto ceiling. Plaster and sand over mudplate [J].



### 3 INSTALL TRIM.

Install trim [K] into the housing [L].



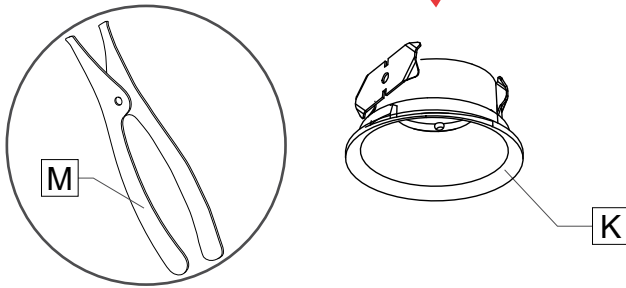
# PETITE 1" Multi-aperture Downlight - Recessed



## ADJUSTABLE LIGHT ELEMENT: CHANGING THE ANGLE AND HOT AIMING ON-SITE

### 1 REMOVE TRIM.

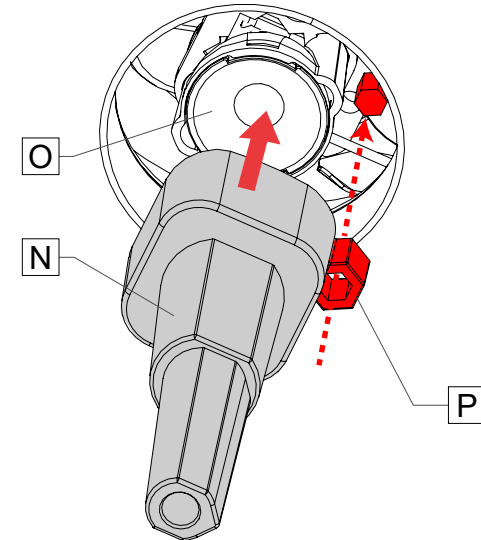
Remove trim [K] using the trim removal tool [M] (available upon request).



### 2 ADJUSTMENT.

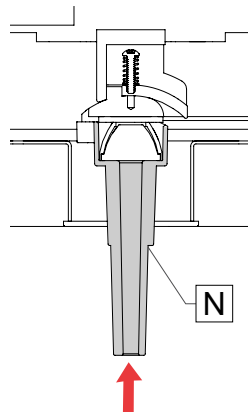
If adjustment is necessary, insert the adjustable tool accessory [N] over the optic holder [O].

Align adjustable tool hex key [P] to the hex post inside the fixture near the optic.

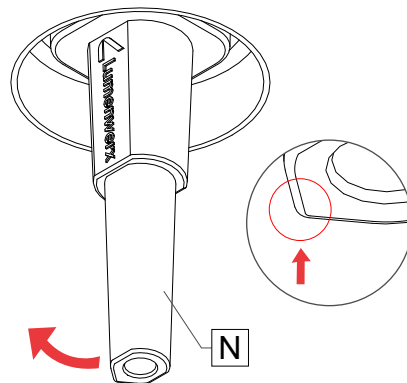


### 3 ADJUST ANGLE AND ROTATION.

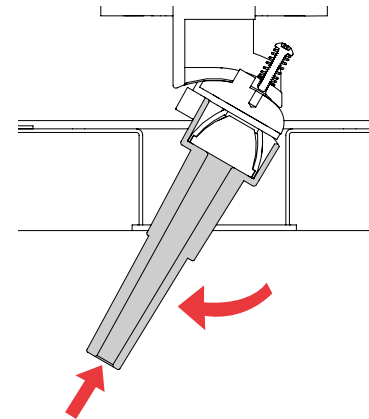
Press the tool up against the optic.



Scoop in the direction of the pointy end to tilt the optic.

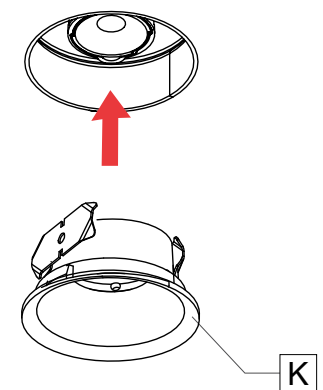


Rotate to point to the right direction.



### 4 REINSTALL TRIM.

Remove adjustable tool and reinstall trim [K].



When light element is lit, the adjustable tool [N] allows for hot aiming through hole at accessory's tip.

**Note:** Adjustable models tilt up to 15°. Adjustable Cut Cone models tilt up to 30°.

