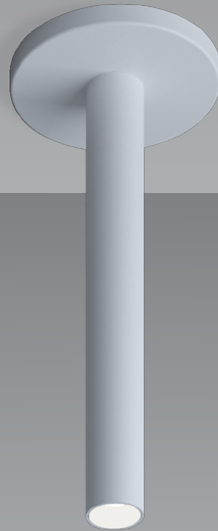


# PETITE 1" CYLINDER

## SURFACE



12" Height  
Glow ring  
Flat Ø 3" canopy

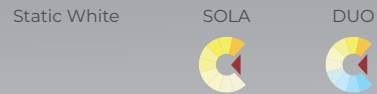


9" Height  
Bevel  
Flat canopy

### Beam Angles



### Light Source



### Performance

LUMEN OUTPUT <sup>1</sup>	WATTS	EFFICACY
582 lm	8 W	73 lm/W
671 lm	10 W	67 lm/W
782 lm	12 W	65 lm/W

<sup>1</sup>Lumen packages are assuming 3500K, 90+ CRI, 45° beam, white bevel baffle, and with no lens.

### Mounting Options



Flat    Flat Ø 3"    Conduit

The Petite family strikes that perfect balance of compact size, streamlined aesthetics, and high performance. Through their 1" lens apertures, these meticulously engineered downlight, cylinder, and multi-aperture luminaires breathe light into spaces with a quiet, straightforward sophistication.

### Petite Family (Refer to other spec sheets)

#### Downlight



Adjustable    Recessed    Wall Wash

#### Multi-aperture



Adjustable    Recessed    Wall Wash

#### Cylinder



Pendant    Surface



# PETITE 1" CYLINDER SURFACE



Project: \_\_\_\_\_

Type: \_\_\_\_\_

## Order Guide

LUMINAIRE ID <sup>1</sup>	CYLINDER HEIGHT	CYLINDER FINISH	BAFFLE STYLE	BAFFLE FINISH Specify NA for Glow ring
<b>PETICYS</b>				
<b>PETICYS</b> - Petite 1" Cylinder Surface  <sup>1</sup> Pendant also available. Consult other spec sheet.	<b>6IN</b> - 6" <b>9IN</b> - 9" <b>12IN</b> - 12" <b>18IN</b> - 18" <b>CH#IN</b> <sup>2</sup> - Custom height  <sup>2</sup> Specify height (#) in 1" increments only. Up to maximum 36".	<b>FTMW</b> - Matte white <b>FTMB</b> - Matte black <b>FCHP</b> - Champagne <b>FDBZ</b> - Dark bronze <b>CF#</b> - Custom finish, specify RAL#	<b>BVL</b> - Bevel <b>GLR</b> - Glow ring	<b>FTMW</b> - Matte white <b>FTMB</b> - Matte black <b>FSPC</b> - Satin silver <b>FSSPC</b> - Matte silver <b>FCHP</b> - Champagne <b>FDBZ</b> - Dark bronze <b>CF#</b> - Custom finish, specify RAL# <b>NA</b> - Not applicable

LENS	LIGHT SOURCE	BEAM	COLOR QUALITY	CRI
<b>At baffle</b>	<b>SW</b> - Static white	<b>35DEG</b> - 35° Narrow flood <b>45DEG</b> - 45° Flood	<b>2STP</b> - 2 Step MacAdam Ellipse <b>3STP</b> - 3 Step MacAdam Ellipse	<b>80CRI</b> - 80+ CRI <b>90CRI</b> - 90+ CRI <b>95CRI</b> - 95+ CRI
<b>SDL</b> <sup>3</sup> - Soft diffused lens, Solite <b>NOL</b> - No lens	<b>SOLA</b> - Dim-to-warm single channel control <b>DUO</b> - Tunable white 2-channel control	<b>45DEG</b> - 45° Flood	<b>3STP</b> - 3 Step MacAdam Ellipse	<b>90CRI</b> - 90+ CRI
<sup>3</sup> Only available with static white.				

COLOR TEMPERATURE	DRIVER	VOLTAGE	WATTAGE	DIMMING <sup>6</sup>	CANOPY TYPE <sup>8</sup>	CANOPY FINISH
<b>24K</b> <sup>4</sup> - 2400K <b>27K</b> - 2700K <b>30K</b> - 3000K <b>35K</b> - 3500K <b>40K</b> - 4000K <b>50K</b> <sup>4</sup> - 5000K  <sup>4</sup> Not available with 95+ CRI	<b>INTEGRAL</b>	<b>120V</b> - 120V <b>277V</b> - 277V <b>UNV</b> - 120V-277V	<b>8W</b> - 8 W output, up to 582 lm <b>10W</b> - 10 W output, up to 671 lm <b>12W</b> - 12 W output, up to 782 lm	<b>D1</b> - 1% 0-10V <b>ELV</b> <sup>7</sup> - ELV 120V <b>TRI</b> <sup>7</sup> - TRIAC 120V	<b>FLR</b> - Flat round canopy, 4" octagonal junction box <b>FLR3</b> - Flat round canopy, Ø 3" CDR - Conduit feed, round canopy	<b>FTMW</b> - Matte white <b>FTMB</b> - Matte black <b>FCHP</b> - Champagne <b>FDBZ</b> - Dark bronze <b>CF#</b> - Custom finish, specify RAL#
<b>SOLA</b> <b>30K18K</b> - 3000K to 1800K <b>27K18K</b> - 2700K to 1800K		<b>SOLA</b> <b>10W</b> - 10 W output, up to 327 lm <b>12W</b> - 12 W output, up to 380 lm	<b>SOLA</b> <b>SD1</b> - Single 0-10V input <b>SELV</b> <sup>7</sup> - ELV 120V <b>STRI</b> <sup>7</sup> - TRIAC 120V	<sup>6</sup> PoE (Power-over-Ethernet) compatible. Consult factory for details. <sup>7</sup> Available with 120V only.		
<b>DUO</b> <b>65K27K</b> - 6500K to 2700K <b>50K27K</b> - 5000K to 2700K	<b>REMOTE</b> <sup>5</sup>	<b>DO NOT SPECIFY FOR REMOTE. SEE "REMOTE DRIVER BOX" SECTION BELOW.</b>				
	<sup>5</sup> A remote driver box is provided.				<sup>8</sup> See page 3 for details.	

## Remote Driver Box Ordered separately. Specify each required remote driver box on a separate line.

REMOTE DRIVER <sup>9</sup>	LUMINAIRE QTY. <sup>10</sup>	LUMINAIRE ID	VOLTAGE	WATTAGE	DIMMING	
		<b>PETICYS</b>				
<b>RDB#</b> - Remote driver box  <sup>9</sup> Specify an RDB number (#) for each required remote driver box.	<b>1X</b> - 1 luminaire <b>2X</b> - 2 luminaires <b>3X</b> - 3 luminaires  <sup>10</sup> Each luminaire requires its own driver. Specify the number of luminaires per driver box.	<b>PETICYS</b> - Petite 1" Cylinder Surface	<b>120V</b> - 120V <b>277V</b> - 277V <b>UNV</b> - 120V-277V <b>347V</b> <sup>11</sup> - 347V	<b>8W</b> - 8 W output, up to 582 lm <b>10W</b> - 10 W output, up to 671 lm <b>12W</b> - 12 W output, up to 782 lm  <b>SOLA</b> <b>10W</b> - 10 W output, up to 327 lm <b>12W</b> - 12 W output, up to 380 lm  <b>DUO</b> <b>8W</b> - 8 W output, up to 221 lm	<b>RD1</b> - 1% 0-10V <b>RELV</b> <sup>12</sup> - ELV 120V <b>RTRI</b> <sup>12</sup> - TRIAC 120V <b>RLDE1</b> <sup>13</sup> - Lutron Hi-Lume 1% Eco  <b>SOLA</b> <b>RSD1</b> - Single 0-10V input <b>RSELV</b> <sup>12</sup> - ELV 120V <b>RSTRI</b> <sup>12</sup> - TRIAC 120V	<b>RDA</b> <sup>13</sup> - DALI <b>RELD1</b> - eldoLED 1% ECOdrive 0-10V <b>RELD0</b> - eldoLED 0.1% SOLOdrive 0-10V <b>+EB</b> <sup>14, 15</sup> - Emergency battery  <b>DUO</b> <b>RDMX</b> <sup>13</sup> - DMX <b>RDDA</b> <sup>13</sup> - DALI DT6 <b>RDDA8</b> <sup>13</sup> - DALI DT8 <b>RDD1</b> - Dual 0-10V input for CCT/intensity <b>RLD2</b> <sup>13</sup> - Lutron DALI-2 digital
					<sup>12</sup> Available with 120V only. <sup>13</sup> On-site commissioning is required. <sup>14</sup> To specify, add +EB to the selected dimming option, e.g. RD1+EB. <sup>15</sup> Only available with 1X luminaire option.	

### EXAMPLE CODE:

<b>LIGHT</b>	PETICYS-9IN-FTMB-GLR-NA-SDL-SW-45DEG-3STP-90CRI-35K-REMOTE-FLR3-FTMW	<b>REMOTE DRIVER</b>	RDB1-2X-PETICYS-120V-10W-RD1 RDB2-1X-PETICYS-120V-10W-RD1
--------------	--	----------------------	--



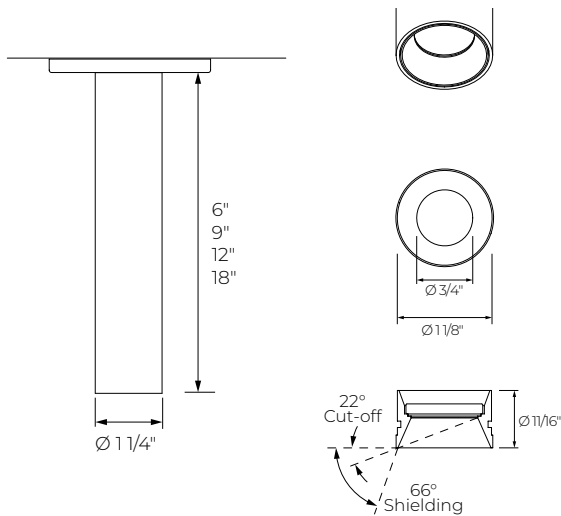
# PETITE 1" CYLINDER

## SURFACE

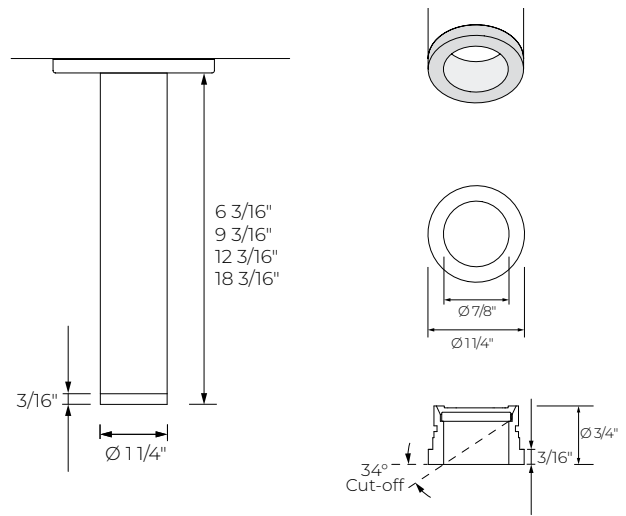


### Dimensions

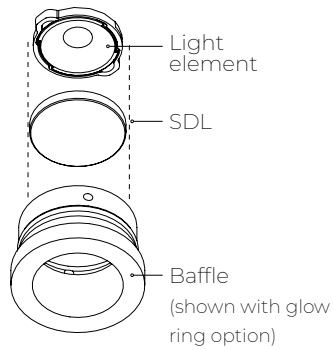
#### BEVEL



#### GLOW RING



### Lens



### Mounting

#### CANOPY

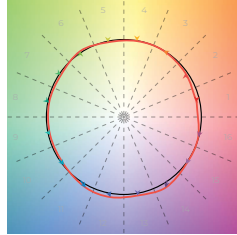
	INTEGRAL DRIVER			REMOTE DRIVER		
	FLR Flat round canopy, 4" octagonal j-box	FLR3 Flat round canopy, Ø 3"	CDR Conduit feed, round canopy	FLR Flat round canopy, 4" octagonal j-box	FLR3 Flat round canopy, Ø 3"	CDR Conduit feed, round canopy
Canopy size	Ø 4 1/2" Height 3/8"	Ø 3" Height 1/4"	Ø 5 1/2" Height 1 15/16"	Ø 4 1/2" Height 3/8"	Ø 3" Height 1/4"	Ø 5 1/2" Height 1 15/16"

# PETITE 1" CYLINDER SURFACE



## Color Quality

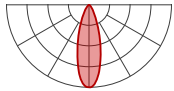
COLOR QUALITY - 3500K	
TM-30 R <sub>r</sub>	91
TM-30 R <sub>g</sub>	100
CRI	90+
R9	> 50



## Photometrics

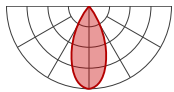
### STATIC WHITE

Values calculated based on 3500K, 90+ CRI, and with no lens. The light distribution will vary depending on baffle style and baffle finish.



35DEG - 35° Narrow flood

WATTAGE		8 W		10 W		12 W	
Baffle style	Baffle finish	lm	lm/W	lm	lm/W	lm	lm/W
Bevel	White	549	69	633	63	737	61
	Black, Champagne, Dark bronze	447	56	517	52	602	50
	Satin silver, Matte silver	523	65	604	60	703	59
Glow ring		555	69	641	64	746	62



45DEG - 45° Flood

WATTAGE		8 W		10 W		12 W	
Baffle style	Baffle finish	lm	lm/W	lm	lm/W	lm	lm/W
Bevel	White	582	73	671	67	782	65
	Black, Champagne, Dark bronze	470	59	412	41	480	40
	Satin silver, Matte silver	557	70	643	64	749	62
Glow ring		560	70	646	65	752	63

### MULTIPLIERS

Please follow the multiplier tables to ensure correct lumen value. CCT, CRI, and lensing will change the lumen value.

CCT		CRI		LENS	
2400K	0.87	80+ CRI	1	SDL - Soft diffused lens, Solite	0.91
2700K	0.94	90+ CRI	1	NOL - No lens	1
3000K	0.98	95+ CRI	0.77		
3500K	1				
4000K	1.05				
5000K	1.05				

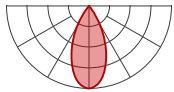
# PETITE 1" CYLINDER SURFACE



## Photometrics

### SOLA/DUO

Values calculated based on with no lens. The light distribution will vary depending on baffle style and baffle finish.



45DEG - 45° Flood

#### SOLA

WATTAGE			10 W		12 W	
CCT	Baffle style	Baffle finish	lm	lm/W	lm	lm/W
3000K	Bevel	White	327	33	380	32
		Black, Champagne, Dark bronze	265	26	308	26
		Satin silver, Matte silver	313	31	365	30
	Glow ring	314	31	366	30	
2700K	Bevel	White	327	33	380	32
		Black, Champagne, Dark bronze	265	26	308	26
		Satin silver, Matte silver	313	31	365	30
	Glow ring	314	31	366	30	

#### DUO

WATTAGE			8 W	
CCT	Baffle style	Baffle finish	lm	lm/W
6500K	Bevel	White	219	27
		Black, Champagne, Dark bronze	170	21
		Satin silver, Matte silver	192	24
	Glow ring	221	28	
5000K	Bevel	White	219	27
		Black, Champagne, Dark bronze	170	21
		Satin silver, Matte silver	192	24
	Glow ring	221	28	
2700K	Bevel	White	192	24
		Black, Champagne, Dark bronze	148	19
		Satin silver, Matte silver	168	21
	Glow ring	184	23	

# PETITE 1" CYLINDER SURFACE



## Technical Specifications

### OPTIC

The CircaFlex™ Optic, uses advanced beamsplitting technology to allow light to follow an intended optical path with maximal precision, minimal spread, and even distribution.

### LIGHT SOURCE

#### Static white

Compact COB (Chip-On-Board) LED module, available in 2400K, 2700K, 3000K, 3500K, 4000, and 5000K with a choice of 80+ CRI, 90+ CRI, or 95+ CRI, with elevated R9 value for 90+ CRI and above. Color consistency is maintained to within 2 SDCM. All LEDs have been tested in accordance with IESNA LM-80-08 and the results have shown L80 lumen maintenance greater than 60,000 hours. Absolute product photometry is measured and presented in accordance with IESNA LM-79, unless otherwise indicated.

#### Chromawerx SOLA

Chromawerx SOLA is single-channel control that dims output while warming the color temperature in a pre-determined relationship. Two color temperature range options are offered: 3000K to 1800K, and 2700K to 1800K. A simple analog control adjusts a specially populated LED array to emulate the effect of dimming a filament source.

#### Chromawerx DUO

Chromawerx DUO offers a two-channel control system which uses analog or digital protocols for synchronous control of both cool to warm LED arrays - maintaining a CRI above 90. Two color temperature range options are offered: 6500K to 2700K, and 5000K to 2700K. The range of color DUO offers is useful for entraining circadian rhythms, stimulating alertness, and compensating for jet lag among other applications. The Chromawerx drivers are programmed to limit maximum light output and power usage across all color temperatures. When paired with DALI drivers (DDA/DDA8), color tuning follows a linear dimming curve.

### ELECTRICAL

Unless otherwise specified, dimming down to 1%. At maximum driver load: efficiency > 84%, PF > 0.9, THD < 20%.

**Integral:** 0-10V, ELV, TRIAC

**Remote:** 0-10V, ELV, TRIAC, Lutron Hi-Lume 1% EcoSystem, DALI, eldoLED 0.1% SOLOdrive 0-10V, eldoLED 1% ECOdrive 0-10V, DMX, Lutron DALI-2 digital

**Emergency battery option:** Remotely-installed, long-life, high-temperature, maintenance-free, Bodine Lithium-Ion battery pack with self-test functionality, test switch and charge indicator. IOTA and Fulham options available upon request. Minimum of 90 minutes operation, and recharge time of 24 hours. For fixtures less than 10 W, the battery provides 6 W of emergency light output. For fixtures 10 W and over, the battery provides 10 W.

### PoE

Depending on the PoE manufacturer selected, Lumenwerx will install the node in factory as either integral to the luminaire or as a remote module. Factory programming of the PoE node may or may not enable the following functionalities: lumen package, DUO (tunable white), QUADRO (RGBW), emergency battery backup, and sensor integration. These must be addressed and evaluated on a case-by-case basis.

### CONSTRUCTION

**Housing:** Die-cast and extruded aluminum

**Canopy:** Flat, flat Ø 3", and conduit feed

**Finish:** Matte white, black, champagne, and dark bronze. Custom colors also available (provide RAL #). Satin silver and matte silver finishes are also available for Baffle.

**Baffle:** Die-cast aluminum

**Glow ring:** Acrylic

**Heat sink:** Die-cast aluminum

### WEIGHT

**6":** 0.84 lbs - 0.38 kg

**9":** 1.06 lbs - 0.48 kg

**12":** 1.28 lbs - 0.58 kg

**18":** 1.65 lbs - 0.75 kg

### LENS



Soft diffused  
lens, Solite

### ENVIRONMENT

Ambient temperature at fixture location shall be within 0°C/32°F - 25°C/77°F, indoor dry or damp as well as outdoor damp use (canopies or marquees).

### CERTIFICATION

**ETL:** Rated for indoor dry/damp locations. Conforms to UL Standard 1598 and certified to CAN/CSA Standard C22.2 No. 250.0.

### WARRANTY

Lumenwerx provides a five-year limited warranty on electrical and mechanical performance of the luminaires, including the LED boards, drivers, and auxiliary electronics. Lumenwerx will repair or replace defective luminaires or components at our discretion, provided they have been installed and operated in accordance with our specifications. Other limitations apply, please refer to the full warranty on our website.