

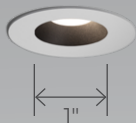
PETITE 1" DOWNLIGHT



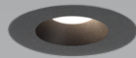
ROUND RECESSED
NEW CONSTRUCTION



Flanged Trim



Flush Flanged Trim



Trimless



Glow Ring



The Petite family strikes that perfect balance of compact size, streamlined aesthetics, and high performance. Through their 1" lens apertures, these meticulously engineered downlight, cylinder, and multi-aperture luminaires breathe light into spaces with a quiet, straightforward sophistication.

Beam Angles



Light Source



Performance

LUMEN OUTPUT ¹	WATTS	EFFICACY
605 lm	7 W	86 lm/W
798 lm	10 W	80 lm/W
1074 lm	14 W	77 lm/W
1163 lm	16 W	73 lm/W

¹ Lumen packages are assuming 3500K, 90+ CRI, 45° beam, trimless, white baffle, and with no lens.

Ceiling Types



Plenum Clearance

As low as 1 3/4"



Petite Family (Refer to other spec sheets) Downlight



Adjustable



Recessed



Wall Wash

Multi-aperture



Adjustable



Recessed



Wall Wash

Cylinder



Pendant



Surface

PETITE 1" DOWNLIGHT

ROUND RECESSED
NEW CONSTRUCTION



Project: _____

Type: _____

Order Guide

LUMINAIRE ID ¹	TRIM STYLE	BAFFLE FINISH Specify NA for Glow ring	TRIM FLANGE FINISH Specify NA for Glow ring and Trimless	LENS	CEILING THICKNESS
PETIRR					
PETIRR - Petite 1" Round Recessed ¹ Recessed Adjustable and Recessed Wall Wash also available. Consult other spec sheets.	TRM - Flanged trim TRMP - Flush flanged trim drywall mudplate TRMW - Flush flanged trim millwork TLMP - Trimless drywall mudplate TLMW - Trimless millwork GLR - Glow ring	FTMW - Matte white FTMB - Matte black FSPC - Satin silver FSSPC - Matte silver FCHP - Champagne FDBZ - Dark bronze FPF - Primer finish CF# - Custom finish, specify RAL# NA - Not applicable	FTMW - Matte white FTMB - Matte black FSPC - Satin silver FSSPC - Matte silver FCHP - Champagne FDBZ - Dark bronze FPF - Primer finish CF# - Custom finish, specify RAL# NA - Not applicable	At baffle SDL ² - Soft diffused lens, Solite NOL - No lens ² Only available with 35° and 45° in static white.	05IN - Up to 0.5" 1IN - 0.5" - 1"

INSTALLATION TYPE ³	MOUNTING OPTION ⁵	LIGHT SOURCE	BEAM	COLOR QUALITY
IC ⁴ - Type-IC NIC - Type Non-IC CP ⁴ - Chicago Plenum Type-IC (CCEA) ³ See page 3 for more details. ⁴ See Wattage section for limitations.	ASB - Adjustable standard bar hangers FMB - Flush mount bars ACB - Adjustable commercial bar hangers AHC - Adjustable hat channel bars NA - No bar hangers ⁵ See page 4 for more details.	SW - Static white SOLA - Dim-to-warm single channel control DUO - Tunable white 2-channel control	35DEG - 35° Narrow flood 45DEG - 45° Flood 60DEG ⁶ - 60° Wide flood ⁶ Only available with TLMP and TLMW trim options. ⁷ Only available with TRM, TRMP, and TRMW trim options. 45DEG ⁷ - 45° Flood 60DEG ⁶ - 60° Wide flood	2STP - 2 Step MacAdam Ellipse 3STP - 3 Step MacAdam Ellipse 3STP - 3 Step MacAdam Ellipse

CRI	COLOR TEMPERATURE	DRIVER	VOLTAGE	WATTAGE	DIMMING ¹⁴
80CRI - 80+ CRI 90CRI - 90+ CRI 95CRI - 95+ CRI	24K ⁸ - 2400K 27K - 2700K 30K - 3000K 35K - 3500K 40K - 4000K 50K ⁸ - 5000K ⁸ Not available with 95+ CRI	INTEGRAL ⁹ ⁹ Access above the ceiling is required. ¹⁰ A remote driver box is provided.	120V - 120V 277V - 277V UNV - 120V-277V	7W - 7 W output, up to 605 lm 10W - 10 W output, up to 798 lm 14W ¹¹ - 14 W output, up to 1074 lm 16W ^{12,13} - 16 W output, up to 1163 lm ¹¹ Not available with 95+ CRI when specified with IC/CP. ¹² Not available with IC/CP. ¹³ Not available with UNV when specified with NIC.	D1 - 1% 0-10V ELV ¹⁵ - ELV 120V TRI ¹⁵ - TRIAC 120V ELD1 - eldoLED 1% ECOdrive 0-10V ELDO - eldoLED 0.1% SOLOdrive 0-10V PEQO ¹⁶ - Lutron Hi-lume Premier 0.1% EcoSystem ¹⁴ PoE (Power-over-Ethernet) compatible. Consult factory for details. ¹⁵ Available with 120V only. ¹⁶ On-site commissioning is required.
90CRI - 90+ CRI	SOLA 30K18K - 3000K to 1800K 27K18K - 2700K to 1800K DUO 65K27K - 6500K to 2700K 50K27K - 5000K to 2700K	REMOTE ¹⁰		SOLA 10W - 10 W output, up to 387 lm 14W ¹² - 14 W output, up to 514 lm	SOLA SD1 - Single 0-10V input SELV ¹⁵ - ELV 120V STRI ¹⁵ - TRIAC 120V
DO NOT SPECIFY FOR REMOTE. SEE "REMOTE DRIVER BOX" SECTION BELOW.					

Remote Driver Box

Ordered separately. Specify each required remote driver box on a separate line. ←

REMOTE DRIVER ¹⁷	LUMINAIRE QTY. ¹⁸	LUMINAIRE ID	VOLTAGE	WATTAGE	DIMMING
		PETIRR			
RDB# - Remote driver box ¹⁷ Specify an RDB number (#) for each required remote driver box.	1X - 1 luminaire 2X - 2 luminaires 3X - 3 luminaires ¹⁸ Each luminaire requires its own driver. Specify the number of luminaires per driver box.	PETIRR - Petite 1" Round Recessed	120V - 120V 277V - 277V UNV - 120V-277V 347V ¹⁹ - 347V	7W - 7 W output, up to 605 lm 10W - 10 W output, up to 798 lm 14W ²⁰ - 14 W output, up to 1074 lm 16W ^{21,22} - 16 W output, up to 1163 lm ²⁰ Not available with 95+ CRI when specified with IC/CP. ²¹ Not available with C/CP. ²² Not available with UNV when specified with NIC.	RDI - 1% 0-10V RELV ²³ - ELV 120V RTRI ²³ - TRIAC 120V RLDEI ²⁴ - Lutron Hi-lume 1% Eco RDA ²⁴ - DALI ²³ Available with 120V only. ²⁴ On-site commissioning is required. ²⁵ To specify, add +EB to the selected dimming option, e.g. RDI+EB. ²⁶ Only available with 1X luminaire option.
			SOLA 10W - 10 W output, up to 387 lm 14W ²¹ - 14 W output, up to 514 lm DUO 7W - 7 W output, up to 227 lm	SOLA RSD1 - Single 0-10V input RSELV ²³ - ELV 120V RSTRI ²³ - TRIAC 120V	RELD1 - eldoLED 1% ECOdrive 0-10V RELD0 - eldoLED 0.1% SOLOdrive 0-10V RPEQO ²⁴ - Lutron Hi-lume Premier 0.1% EcoSystem +EB ^{25,26} - Emergency battery RDD1 - Dual 0-10V input for CCT/intensity RLD2 ²⁴ - Lutron DALI-2 digital

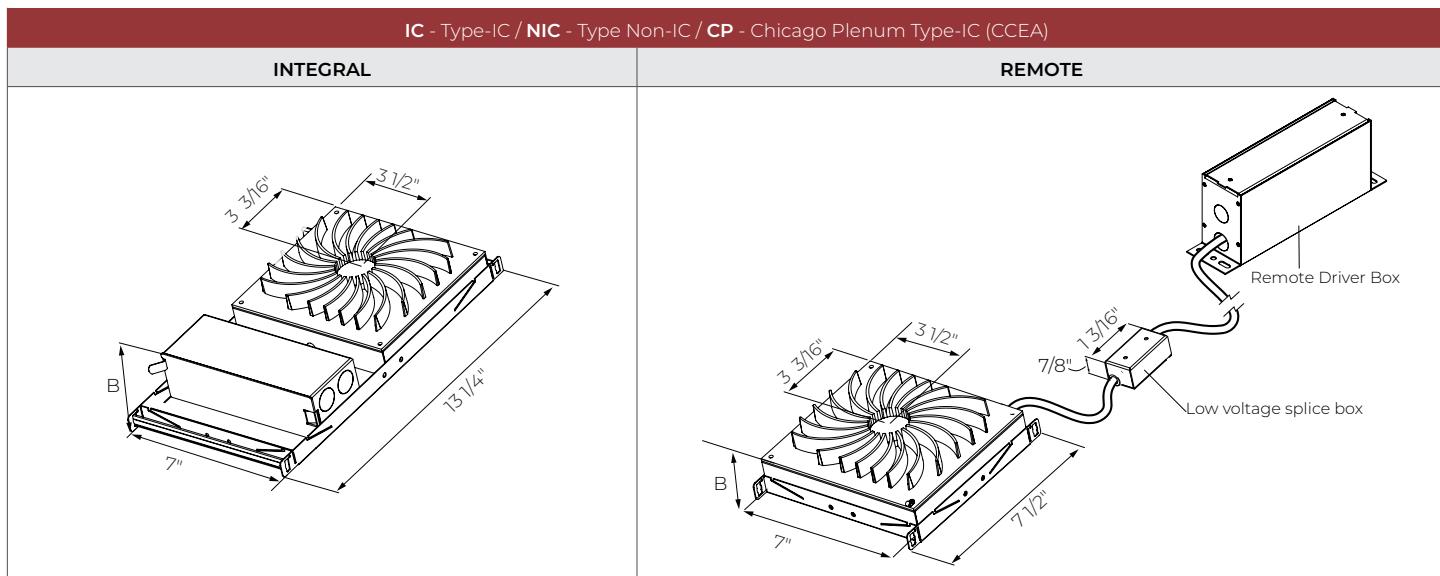
EXAMPLE CODE:	LIGHT	PETIRR-TRM-FTMW-FTMW-SDL-1IN-IC-ASB-SW-35DEG-2STP-90CRI-35K-REMOTE	REMOTE DRIVER	RDB1-2X-PETIRR-120V-7W-RDI RDB2-1X-PETIRR-120V-7W-RDI
----------------------	--------------	--	----------------------	--

PETITE 1" DOWNLIGHT

ROUND RECESSED
NEW CONSTRUCTION

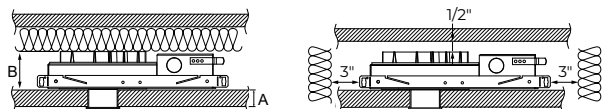


Installation Types



- For integral, access above the ceiling is required.
- For dimension B, see the PLENUM CLEARANCE table below.

PLENUM CLEARANCE

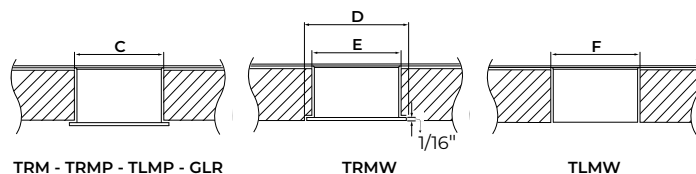


IC/CP - Insulated ceiling

NIC - Non-insulated ceiling

* No insulation within 3" of the fixture.

CUT-OUT DIMENSIONS



TRM - TRMP - TLMP - GLR

TRMW

TLMW

PLENUM CLEARANCE HEIGHT AND CEILING THICKNESS					
		IC/CP		NIC	
A	Ceiling thickness	1IN	0.5IN	1IN	0.5IN
B	Integral	2 1/8" (FMB) 4" (ASB, ACB, AHC)		2 5/8" (FMB) 4" (ASB, ACB, AHC)	
	Remote	1 3/4" (FMB) 4" (ASB, ACB, AHC)	2 1/8" (FMB)	2 1/4" (FMB)	2 5/8" (FMB) 4" (ASB, ACB, AHC)

CUT-OUT DIMENSIONS				
		Drywall	Acoustic tile	Millwork
C	TRM	Ø 1 11/16"		N/A
	TRMP / TLMP	Ø 1 11/16"	N/A	
	GLR	Ø 1 11/16"		
D	TRMW	N/A	Ø 1 13/16"	
E	TRMW	N/A		Ø 1 11/16" with 1/16" lip
F	TLMW	N/A	Ø 1 11/16"	



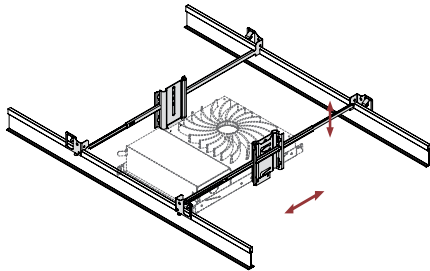
PETITE 1" DOWNLIGHT

ROUND RECESSED
NEW CONSTRUCTION



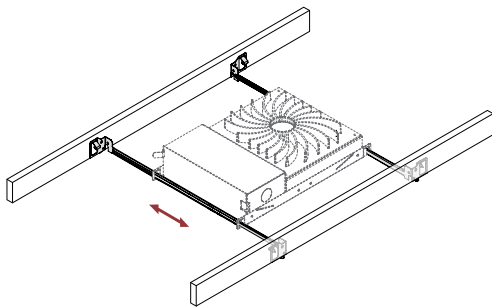
Mounting Options

ASB - Adjustable Standard Bar Hangers



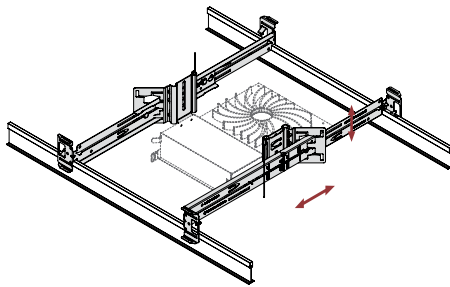
Adjustable Standard Bar hangers can be used in both commercial and residential applications and are adjustable to various heights in both Grid Ceiling and Drywall mounting. ASB hangers are less rigid and versatile than ACB hangers.

FMB - Flush Mount Bars



Flush Mount Bars are best used in residential applications, fitting snug to the surface and suitable for Wood, Metal, and Drywall mounting. The flush mounted bars are static and can't be adjusted.

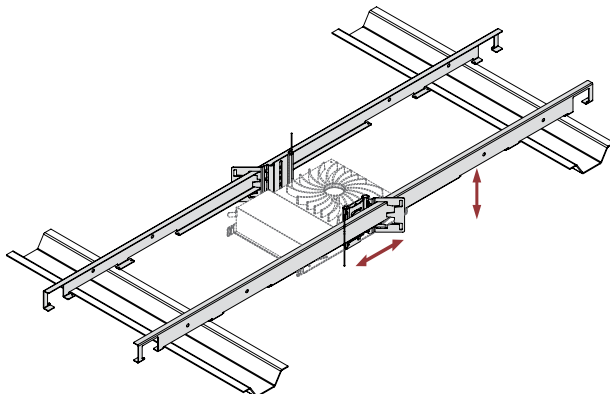
ACB - Adjustable Commercial Bar Hangers



Adjustable Commercial Bar hangers can be used in both commercial and residential applications and are by far the most versatile mounting bar we offer with its adjustability to various heights. ACB hangers are suitable for Grid Ceiling, Drywall, Metal, Wood and Frame mounting.

- Extremely rigid
- Fits into C-Channel notches in a Butterfly Bracket

AHC - Adjustable Hat Channel Bars



Adjustable Hat Channel bars can be used in both commercial and residential applications and come with a butterfly clip to adjust to various heights. AHC bars can be hung downward by 90 degrees in vertical position, and once wired, can be shifted onto the horizontal mounting plane. AHC bars are suitable for both Drywall and wood ceiling applications.

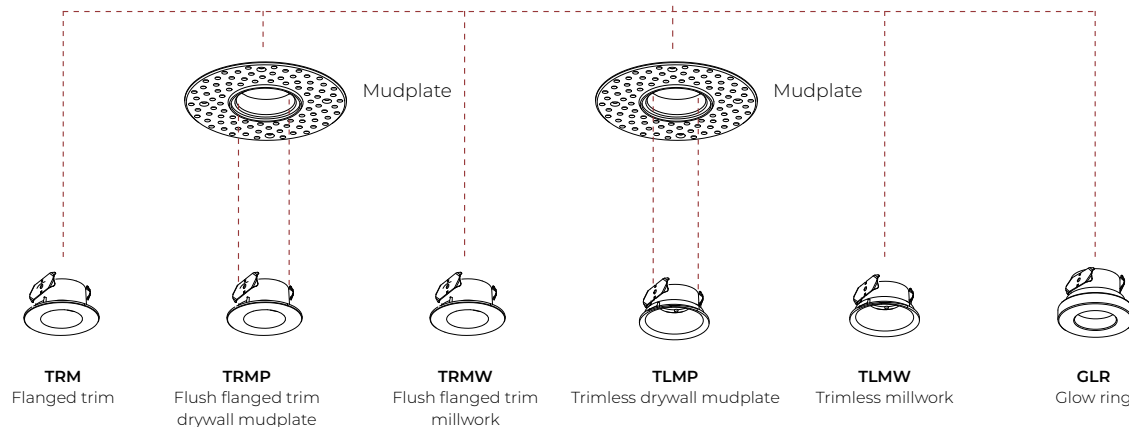
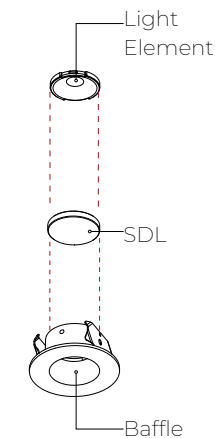
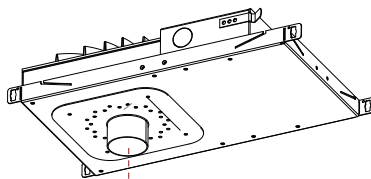
PETITE 1" DOWNLIGHT

ROUND RECESSED
NEW CONSTRUCTION

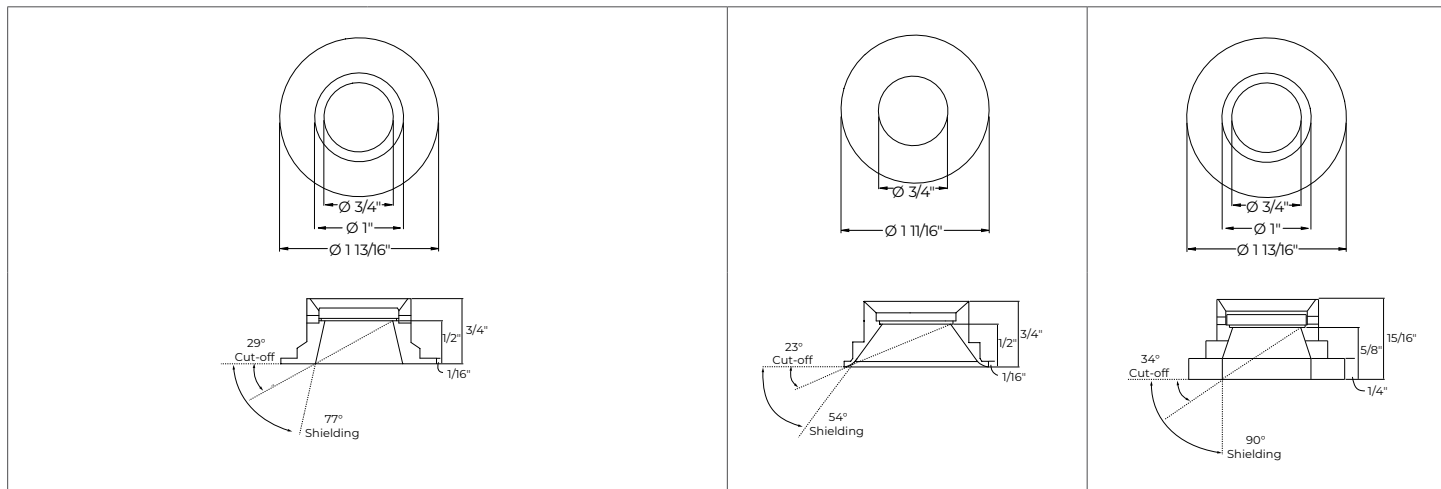


Trim Style

Lens



TRM Flanged Trim	TRMP / TRMW Flush Flanged Trim	TLMF / TLMW Trimless	GLR Glow Ring



PETITE 1" DOWNLIGHT

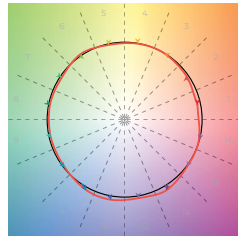


ROUND RECESSED
NEW CONSTRUCTION

Color Quality

COLOR QUALITY - 3500K

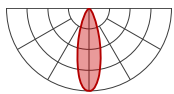
TM-30 R _r	91
TM-30 R _g	100
CRI	90+
R9	> 50



Photometrics

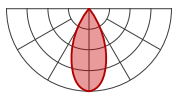
STATIC WHITE

Values calculated based on 3500K, 90+ CRI, and with no lens. The light distribution will vary depending on trim style and baffle finish.



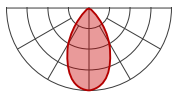
35DEG - 35° Narrow flood

WATTAGE		7 W		10 W		14 W		16 W	
Trim style	Baffle finish	lm	lm/W	lm	lm/W	lm	lm/W	lm	lm/W
Trim	White	480	69	633	63	852	61	923	58
	Black, Champagne, Dark bronze	392	56	517	52	696	50	754	47
	Satin silver, Matte silver	458	65	604	60	813	58	881	55
Trimless	White	538	77	709	71	954	68	1033	65
	Black, Champagne, Dark bronze	495	71	652	65	878	63	951	59
	Satin silver, Matte silver	534	76	705	70	948	68	1028	64
Glow ring		486	69	641	64	863	62	935	58



45DEG - 45° Flood

WATTAGE		7 W		10 W		14 W		16 W	
Trim style	Baffle finish	lm	lm/W	lm	lm/W	lm	lm/W	lm	lm/W
Trim	White	509	73	671	67	904	65	979	61
	Black, Champagne, Dark bronze	412	59	543	54	731	52	792	50
	Satin silver, Matte silver	488	70	643	64	866	62	938	59
Trimless	White	605	86	798	80	1074	77	1163	73
	Black, Champagne, Dark bronze	522	75	688	69	926	66	1003	63
	Satin silver, Matte silver	576	82	759	76	1022	73	1107	69
Glow ring		490	70	646	65	869	62	942	59



60DEG - 60° Wide flood

WATTAGE		7 W		10 W		14 W		16 W	
Trim style	Baffle finish	lm	lm/W	lm	lm/W	lm	lm/W	lm	lm/W
Trimless	White	381	54	502	50	675	48	732	46
	Black, Champagne, Dark bronze	296	42	391	39	526	38	570	36
	Satin silver, Matte silver	339	48	447	45	601	43	651	41

MULTIPLIERS

Please follow the multiplier tables to ensure correct lumen value. CCT, CRI, and lensing will change the lumen value.

CCT		CRI		LENS	
2400K	0.87	80+ CRI	1	SDL - Soft diffused lens, Solite	0.91
2700K	0.94	90+ CRI	1	NOL - No lens	1
3000K	0.98	95+ CRI	0.77		
3500K	1				
4000K	1.05				
5000K	1.05				



PETITE 1" DOWNLIGHT

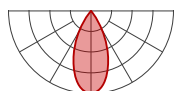
ROUND RECESSED
NEW CONSTRUCTION



Photometrics

SOLA/DUO

Values calculated based on with no lens. The light distribution will vary depending on baffle finish and trim style.



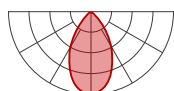
45DEG - 45° Flood

SOLA

WATTAGE			10 W		14 W	
CCT	Trim style	Baffle finish	lm	lm/W	lm	lm/W
3000K	Trim	White	327	33	435	31
		Black, Champagne, Dark bronze	265	26	352	25
		Satin silver, Matte silver	313	31	416	30
2700K	Trim	White	327	33	435	31
		Black, Champagne, Dark bronze	265	26	352	25
		Satin silver, Matte silver	313	31	416	30

DUO

WATTAGE			7 W	
CCT	Trim style	Baffle finish	lm	lm/W
6000K	Trim	White	192	27
		Black, Champagne, Dark bronze	149	21
		Satin silver, Matte silver	168	24
5000K	Trim	White	192	27
		Black, Champagne, Dark bronze	149	21
		Satin silver, Matte silver	168	24
2700K	Trim	White	168	24
		Black, Champagne, Dark bronze	130	19
		Satin silver, Matte silver	147	21



60DEG - 60° Wide flood

SOLA

WATTAGE			10 W		14 W	
CCT	Trim style	Baffle finish	lm	lm/W	lm	lm/W
3000K	Trimless	White	387	39	514	37
		Black, Champagne, Dark bronze	314	31	417	30
		Satin silver, Matte silver	371	37	493	35
2700K	Trimless	White	387	39	514	37
		Black, Champagne, Dark bronze	314	31	417	30
		Satin silver, Matte silver	371	37	493	35

DUO

WATTAGE			7 W	
CCT	Trim style	Baffle finish	lm	lm/W
6000K	Trimless	White	227	32
		Black, Champagne, Dark bronze	177	25
		Satin silver, Matte silver	199	28
5000K	Trimless	White	227	32
		Black, Champagne, Dark bronze	177	25
		Satin silver, Matte silver	199	28
2700K	Trimless	White	199	28
		Black, Champagne, Dark bronze	155	22
		Satin silver, Matte silver	174	25

PETITE 1" DOWNLIGHT

ROUND RECESSED
NEW CONSTRUCTION



Technical Specifications

OPTIC

The CircaFlex™ Optic uses advanced beam-splitting technology to allow light to follow an intended optical path with maximal precision, minimal spread, and even distribution.

LIGHT SOURCE

Static white

Compact COB (Chip-On-Board) LED module, available in 2400K, 2700K, 3000K, 3500K, 4000, and 5000K with a choice of 80+ CRI, 90+ CRI, or 95+ CRI, with elevated R9 value for 90+ CRI and above. Color consistency is maintained to within 2 SDCM. All LEDs have been tested in accordance with IESNA LM-80-08 and the results have shown L80 lumen maintenance greater than 60,000 hours. Absolute product photometry is measured and presented in accordance with IESNA LM-79, unless otherwise indicated.

Chromawerx SOLA

Chromawerx SOLA is single-channel control that dims output while warming the color temperature in a pre-determined relationship. Two color temperature range options are offered: 3000K to 1800K, and 2700K to 1800K. A simple analog control adjusts a specially populated LED array to emulate the effect of dimming a filament source.

Chromawerx DUO

Chromawerx DUO offers a two-channel control system which uses analog or digital protocols for synchronous control of both cool to warm LED arrays - maintaining a CRI above 90. Two color temperature range options are offered: 6500K to 2700K, and 5000K to 2700K. The range of color DUO offers is useful for entraining circadian rhythms, stimulating alertness, and compensating for jet lag among other applications. The Chromawerx drivers are programmed to limit maximum light output and power usage across all color temperatures. When paired with DALI drivers (DDA/DDA8), color tuning follows a linear dimming curve.

ELECTRICAL

Unless otherwise specified, dimming down to 1%. At maximum driver load: efficiency > 84%, PF > 0.9, THD < 20%.

Integral: 0-10V, ELV, TRIAC, eldoLED 1% ECOdrive 0-10V, eldoLED 0.1% SOLOdrive 0-10V, Lutron Hi-lume Premier 0.1% EcoSystem

Remote: 0-10V, ELV, TRIAC, Lutron Hi-lume 1% Eco, DALI, eldoLED 1% ECOdrive 0-10V, eldoLED 0.1% SOLOdrive 0-10V, Lutron Hi-lume Premier 0.1% EcoSystem, DMX, Lutron DALI-2 digital

Emergency battery option: Remotely-installed, long-life, high-temperature, maintenance-free, Bodine Lithium-Ion battery pack with self-test functionality, test switch and charge indicator. IOTA and Fulham options available upon request. Minimum of 90 minutes operation, and recharge time of 24 hours. For fixtures less than 10 W, the battery provides 6 W of emergency light output. For fixtures 10 W and over, the battery provides 10 W.

PoE

Depending on the PoE manufacturer selected, Lumenwerx will install the node in factory as either integral to the luminaire, or as a remote module. Factory programming of the PoE node may or may not enable the following functionalities: lumen package, DUO (tunable white), QUADRO (RGBW), emergency battery backup, and sensor integration. These must be addressed and evaluated on a case-by-case basis.

CONSTRUCTION

Housing: For new construction, 20 gauge powder coated steel. 18 gauge galvanized steel junction box with ½" trade size knockouts. Adjustable standard, flush mount, adjustable commercial, and adjustable hat channel bar hangers are available as mounting options.

Baffle: Die-cast aluminum mounted with retaining spring clips

Glow ring: Acrylic

Heat sink: Die-cast aluminum

WEIGHT

Integral: 4 lbs - 1.8 kg

Remote: 2.1 lbs - 0.95 kg

LENS



Soft diffused lens, Solite

ENVIRONMENT

Ambient temperature at fixture location shall be within 0°C/32°F - 25°C/77°F, indoor dry or damp as well as outdoor damp use (canopies or marquees)

CERTIFICATIONS

ETL: Rated for indoor dry/damp locations. Conforms to UL Standard 1598 and certified to CAN/CSA Standard C22.2 No. 250.0.

Chicago Plenum: City of Chicago approved (CCEA) when specified with CP installation type option.

IC rated: Suitable for direct contact with insulation when specified with IC or CP installation type options.

WARRANTY

Lumenwerx provides a five-year limited warranty on electrical and mechanical performance of the luminaires, including the LED boards, drivers, and auxiliary electronics. Lumenwerx will repair or replace defective luminaires or components at our discretion, provided they have been installed and operated in accordance with our specifications. Other limitations apply, please refer to the full warranty on our website.