

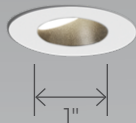
# PETITE 1" DOWNLIGHT



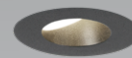
ROUND RECESSED WALL WASH  
NEW CONSTRUCTION



Flanged Trim



Flush Flanged Trim



The Petite family strikes that perfect balance of compact size, streamlined aesthetics, and high performance. Through their 1" lens apertures, these meticulously engineered downlight, cylinder, and multi-aperture luminaires breathe light into spaces with a quiet, straightforward sophistication.

### Beam Angle



Wall Wash

### Light Source

Static White



SOLA

DUO



### Performance

LUMEN OUTPUT <sup>1</sup>	WATTS	EFFICACY
243 lm	7 W	35 lm/W
316 lm	10 W	32 lm/W
422 lm	14 W	30 lm/W

<sup>1</sup> Lumen packages are assuming 3500K, 90+ CRI, flush trim, and white baffle.

### Ceiling Types



Drywall



Millwork



Acoustic Tile

### Plenum Clearance

As low as 1 3/4"



### Petite Family (Refer to other spec sheets)

#### Downlight



Adjustable



Recessed



Wall Wash

#### Multi-aperture



Adjustable



Recessed



Wall Wash

#### Cylinder



Pendant



Surface

# PETITE 1" DOWNLIGHT

ROUND RECESSED WALL WASH  
NEW CONSTRUCTION



Project: \_\_\_\_\_

Type: \_\_\_\_\_

## Order Guide

LUMINAIRE ID <sup>1</sup>	TRIM STYLE	BAFFLE FINISH	TRIM FLANGE FINISH	LENS	CEILING THICKNESS
<b>PETIRRWW</b>				<b>WW</b>	
<b>PETIRRWW</b> - Petite 1" Round Recessed Wall Wash  <sup>1</sup> Recessed (fixed) and Recessed Adjustable also available. Consult other spec sheets.	<b>TRM</b> - Flanged trim <b>TRMP</b> - Flush flanged trim drywall mudplate <b>TRMW</b> - Flush flanged trim millwork	<b>FTMW</b> - Matte white <b>FTMB</b> - Matte black <b>FSPC</b> - Satin silver <b>FSSPC</b> - Matte silver <b>FCHP</b> - Champagne <b>FDBZ</b> - Dark bronze <b>FPF</b> - Primer finish <b>CF#</b> - Custom finish, specify RAL#	<b>FTMW</b> - Matte white <b>FTMB</b> - Matte black <b>FSPC</b> - Satin silver <b>FSSPC</b> - Matte silver <b>FCHP</b> - Champagne <b>FDBZ</b> - Dark bronze <b>FPF</b> - Primer finish <b>CF#</b> - Custom finish, specify RAL#	<b>WW</b> - Wall wash diffuser	<b>05IN</b> - Up to 0.5" <b>1IN</b> - 0.5" - 1"

INSTALLATION TYPE <sup>2</sup>	MOUNTING OPTION <sup>4</sup>	LIGHT SOURCE	BEAM	COLOR QUALITY
			<b>WW</b>	
<b>IC</b> <sup>3</sup> - Type-IC <b>NIC</b> <sup>3</sup> - Type Non-IC <b>CP</b> <sup>3</sup> - Chicago Plenum Type-IC (CCEA)  <sup>2</sup> See page 3 for more details. <sup>3</sup> See Wattage section for limitations.	<b>ASB</b> - Adjustable standard bar hangers <b>FMB</b> - Flush mount bars <b>ACB</b> - Adjustable commercial bar hangers <b>AHC</b> - Adjustable hat channel bars <b>NA</b> - No bar hangers	<b>SW</b> - Static white  <b>SOLA</b> - Dim-to-warm single channel control <b>DUO</b> - Tunable white 2-channel control	<b>WW</b> - Wall wash	<b>2STP</b> - 2 Step MacAdam Ellipse <b>3STP</b> - 3 Step MacAdam Ellipse  <b>3STP</b> - 3 Step MacAdam Ellipse

CRI	COLOR TEMPERATURE	DRIVER	VOLTAGE	WATTAGE	DIMMING <sup>11</sup>
<b>80CRI</b> - 80+ CRI <b>90CRI</b> - 90+ CRI <b>95CRI</b> - 95+ CRI	<b>24K</b> <sup>5</sup> - 2400K <b>27K</b> - 2700K <b>30K</b> - 3000K <b>35K</b> - 3500K <b>40K</b> - 4000K <b>50K</b> <sup>5</sup> - 5000K  <sup>5</sup> Not available with 95+ CRI	<b>INTEGRAL</b> <sup>6</sup>  <sup>6</sup> Access above the ceiling is required. <sup>7</sup> A remote driver box is provided.	<b>120V</b> - 120V <b>277V</b> - 277V <b>UNV</b> - 120V-277V	<b>7W</b> - 7 W output, up to 243 lm <b>10W</b> <sup>8</sup> - 10 W output, up to 316 lm <b>14W</b> <sup>9,10</sup> - 14 W output, up to 422 lm  <sup>8</sup> Not available with 95+ CRI when specified with IC/CP. <sup>9</sup> Not available with 95+ CRI when specified with NIC. <sup>10</sup> Not available with IC/CP.	<b>D1</b> - 1% 0-10V <b>ELV</b> <sup>12</sup> - ELV 120V <b>TRI</b> <sup>12</sup> - TRIAC 120V <b>ELD1</b> - eldoLED 1% ECOdrive 0-10V <b>ELDO</b> - eldoLED 0.1% SOLOdrive 0-10V <b>PEQO</b> <sup>13</sup> - Lutron Hi-Lume Premier 0.1% EcoSystem  <sup>11</sup> PoE (Power-over-Ethernet) compatible. Consult factory for details. <sup>12</sup> Available with 120V only. <sup>13</sup> On-site commissioning is required.
<b>90CRI</b> - 90+ CRI	<b>SOLA</b> <b>30K18K</b> - 3000K to 1800K <b>27K18K</b> - 2700K to 1800K  <b>DUO</b> <b>65K27K</b> - 6500K to 2700K <b>50K27K</b> - 5000K to 2700K			<b>SOLA</b> <b>10W</b> - 10 W output, up to 244 lm <b>14W</b> <sup>10</sup> - 14 W output, up to 324 lm	<b>SOLA</b> <b>SD1</b> - Single 0-10V input <b>SELV</b> <sup>12</sup> - ELV 120V <b>STRI</b> <sup>12</sup> - TRIAC 120V
<b>REMOTE <sup>7</sup></b> <b>DO NOT SPECIFY FOR REMOTE. SEE "REMOTE DRIVER BOX" SECTION BELOW.</b>					

## Remote Driver Box

Ordered separately. Specify each required remote driver box on a separate line. ←

REMOTE DRIVER <sup>14</sup>	LUMINAIRE QTY. <sup>15</sup>	LUMINAIRE ID	VOLTAGE	WATTAGE	DIMMING
		<b>PETIRRWW</b>			
<b>RDB#</b> - Remote driver box  <sup>14</sup> Specify an RDB number (#) for each required remote driver box.	<b>1X</b> - 1 luminaire <b>2X</b> - 2 luminaires <b>3X</b> - 3 luminaires  <sup>15</sup> Each luminaire requires its own driver. Specify the number of luminaires per driver box.	<b>PETIRRWW</b> - Petite 1" Round Recessed Wall Wash	<b>120V</b> - 120V <b>277V</b> - 277V <b>UNV</b> - 120V-277V <b>347V</b> <sup>16</sup> - 347V  <sup>16</sup> Available with RD1 driver only. Please consult factory.	<b>7W</b> - 7 W output, up to 243 lm <b>10W</b> <sup>17</sup> - 10 W output, up to 316 lm <b>14W</b> <sup>18,19</sup> - 14 W output, up to 422 lm  <sup>17</sup> Not available with 95+ CRI when specified with IC/CP. <sup>18</sup> Not available with 95+ CRI when specified with NIC. <sup>19</sup> Not available with IC/CP.	<b>RD1</b> - 1% 0-10V <b>RELV</b> <sup>20</sup> - ELV 120V <b>RTRI</b> <sup>20</sup> - TRIAC 120V <b>RLDE1</b> <sup>21</sup> - Lutron Hi-Lume 1% Eco <b>RDA</b> <sup>21</sup> - DALI <b>RELD1</b> - eldoLED 1% ECOdrive 0-10V  <sup>20</sup> Available with 120V only. <sup>21</sup> On-site commissioning is required. <sup>22</sup> To specify, add +EB to the selected dimming option, e.g. RD1+EB. <sup>23</sup> Only available with 1X luminaire option.
				<b>SOLA</b> <b>10W</b> - 10 W output, up to 244 lm <b>14W</b> <sup>19</sup> - 14 W output, up to 324 lm  <b>DUO</b> <b>7W</b> - 7 W output, up to 205 lm	<b>SOLA</b> <b>RSD1</b> - Single 0-10V input <b>RSELV</b> <sup>20</sup> - ELV 120V <b>RSTRI</b> <sup>20</sup> - TRIAC 120V  <b>DUO</b> <b>RDMX</b> <sup>21</sup> - DMX <b>RDDA</b> <sup>21</sup> - DALI <b>DT6</b> <b>RDDA8</b> <sup>21</sup> - DALI <b>DT8</b>  <b>RDD1</b> - Dual 0-10V input for CCT/intensity <b>RLD2</b> <sup>21</sup> - Lutron DALI-2 digital

<b>EXAMPLE CODE:</b>	<b>LIGHT</b>	PETIRRWW-TRM-FTMW-FTMW-WW-05IN-IC-ASB-SW-WW-2STP-90CRI-35K-REMOTE	<b>REMOTE DRIVER</b>	RDB1-2X-PETIRRWW-120V-7W-RD1 RDB2-1X-PETIRRWW-120V-7W-RD1
----------------------	--------------	---	----------------------	--

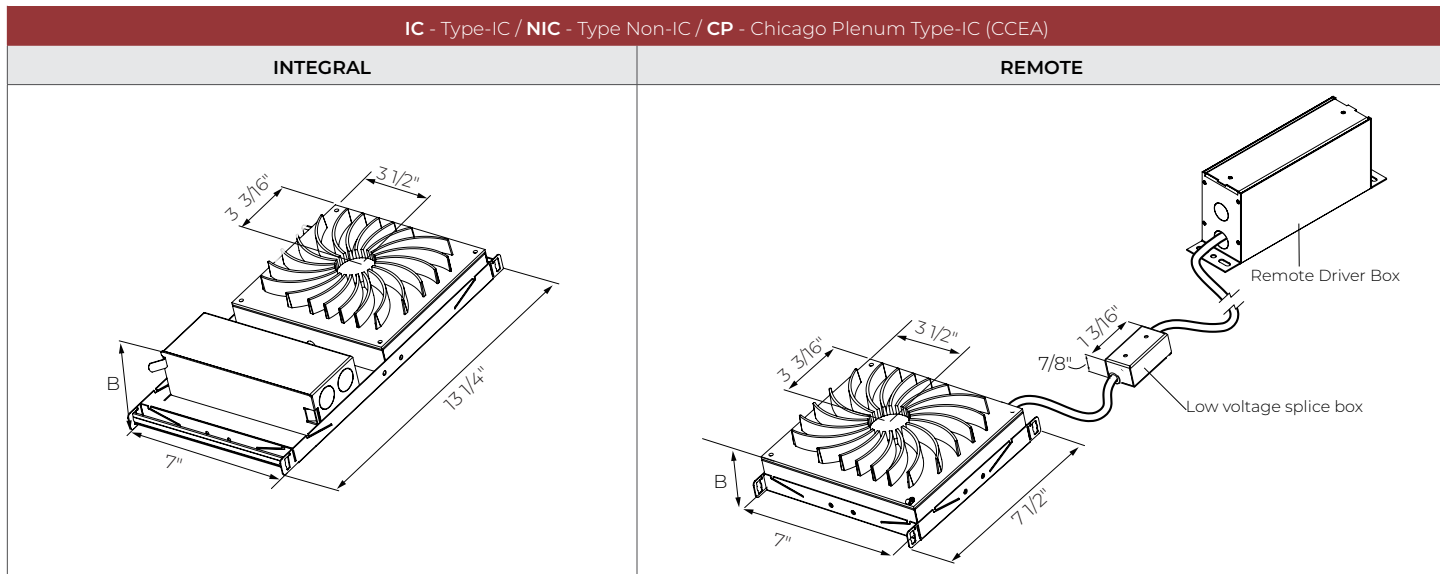


# PETITE 1" DOWNLIGHT

ROUND RECESSED WALL WASH  
NEW CONSTRUCTION

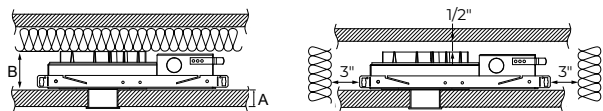


## Installation Types



- For integral, access above the ceiling is required.  
- For dimension B, see the PLENUM CLEARANCE table below.

### PLENUM CLEARANCE

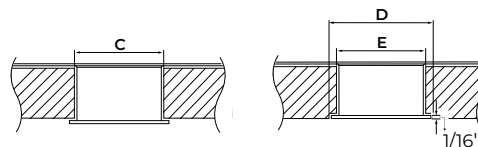


**IC/CP** - Insulated ceiling

**NIC** - Non-insulated ceiling

\* No insulation within 3" of the fixture.

### CUT-OUT DIMENSIONS



**TRM - TRMP**

**TRMW**

PLENUM CLEARANCE HEIGHT AND CEILING THICKNESS					
		IC/CP		NIC	
A	Ceiling thickness	1IN	0.5IN	1IN	0.5IN
B	<b>Integral</b>	2 1/8" (FMB) 4" (ASB, ACB, AHC)		2 5/8" (FMB) 4" (ASB, ACB, AHC)	
	<b>Remote</b>	1 3/4" (FMB) 4" (ASB, ACB, AHC)	2 1/8" (FMB)	2 1/4" (FMB)	2 5/8" (FMB) 4" (ASB, ACB, AHC)

CUT-OUT DIMENSIONS				
		Drywall	Acoustic tile	Millwork
C	<b>TRM</b>	Ø 1 11/16"		N/A
	<b>TRMP</b>	Ø 1 11/16"	N/A	
D	<b>TRMW</b>	N/A		Ø 1 13/16"
E		N/A		Ø 1 11/16" with 1/16" lip



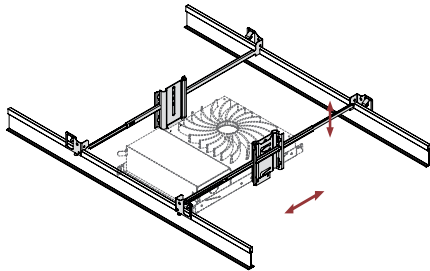
# PETITE 1" DOWNLIGHT

ROUND RECESSED WALL WASH  
NEW CONSTRUCTION



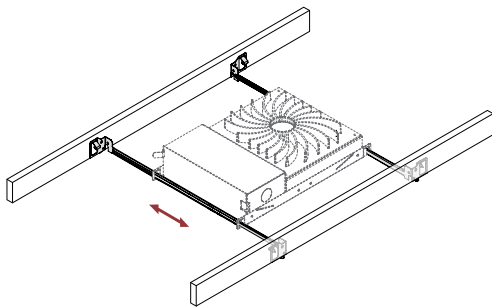
## Mounting Options

### ASB - Adjustable Standard Bar Hangers



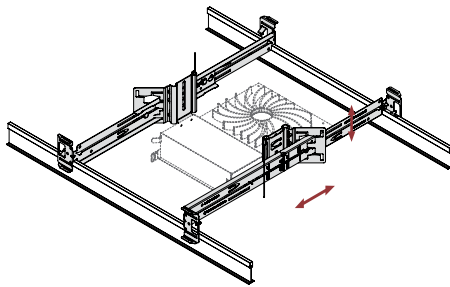
Adjustable Standard Bar hangers can be used in both commercial and residential applications and are adjustable to various heights in both Grid Ceiling and Drywall mounting. ASB hangers are less rigid and versatile than ACB hangers.

### FMB - Flush Mount Bars



Flush Mount Bars are best used in residential applications, fitting snug to the surface and suitable for Wood, Metal, and Drywall mounting. The flush mounted bars are static and can't be adjusted.

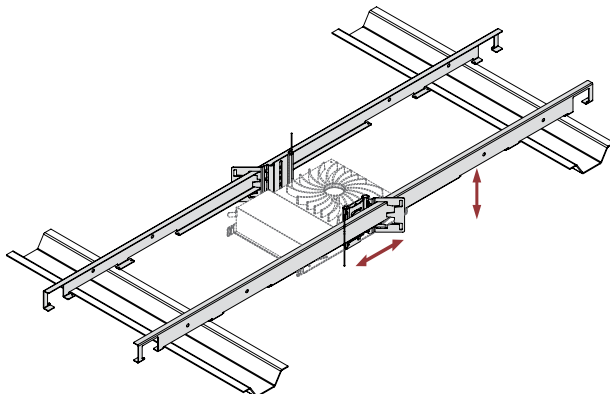
### ACB - Adjustable Commercial Bar Hangers



Adjustable Commercial Bar hangers can be used in both commercial and residential applications and are by far the most versatile mounting bar we offer with its adjustability to various heights. ACB hangers are suitable for Grid Ceiling, Drywall, Metal, Wood and Frame mounting.

- Extremely rigid
- Fits into C-Channel notches in a Butterfly Bracket

### AHC - Adjustable Hat Channel Bars



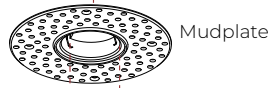
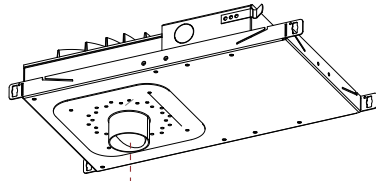
Adjustable Hat Channel bars can be used in both commercial and residential applications and come with a butterfly clip to adjust to various heights. AHC bars can be hung downward by 90 degrees in vertical position, and once wired, can be shifted onto the horizontal mounting plane. AHC bars are suitable for both Drywall and wood ceiling applications.

# PETITE 1" DOWNLIGHT

ROUND RECESSED WALL WASH  
NEW CONSTRUCTION



## Trim Style



**TRM**  
Flanged trim

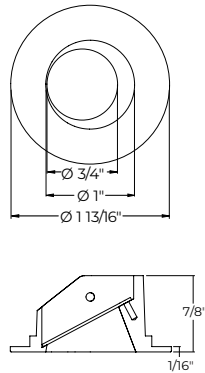


**TRMP**  
Flush flanged trim drywall  
mudplate



**TRMW**  
Flush flanged trim  
millwork

<b>TRM</b> Flanged Trim	<b>TRMP / TRMW</b> Flush Flanged Trim



# PETITE 1" DOWNLIGHT

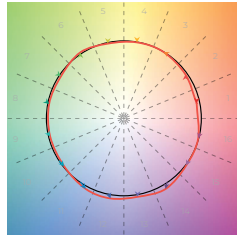
ROUND RECESSED WALL WASH  
NEW CONSTRUCTION



## Color Quality

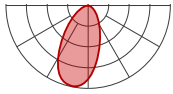
### COLOR QUALITY - 3500K

TM-30 Rr	91
TM-30 Ra	100
CRI	90+
R9	> 50



## Photometrics

Values calculated based on 3500K and 90+ CRI for static white. The light distribution will vary depending on trim style and baffle finish.



**WW** - Wall Wash

### STATIC WHITE

WATTAGE		7 W		10 W		14 W	
Trim style	Baffle finish	lm	lm/W	lm	lm/W	lm	lm/W
Trim	White	243	35	316	32	422	30
	Black, Champagne, Dark bronze	190	27	246	25	328	23
	Satin silver, Matte silver	217	31	281	28	375	27

### MULTIPLIERS

Please follow the multiplier tables to ensure correct lumen value. CCT and CRI will change the lumen value.

CCT		CRI	
2400K	0.87	80+ CRI	1
2700K	0.94	90+ CRI	1
3000K	0.98	95+ CRI	0.77
3500K	1		
4000K	1.05		
5000K	1.05		

### SOLA

WATTAGE			10 W		14 W	
CCT	Trim style	Baffle finish	lm	lm/W	lm	lm/W
3000K	Trim	White	244	24	324	23
		Black, Champagne, Dark bronze	190	19	252	18
		Satin silver, Matte silver	213	21	283	20
2700K	Trim	White	244	24	324	23
		Black, Champagne, Dark bronze	190	19	252	18
		Satin silver, Matte silver	213	21	283	20

### DUO

WATTAGE			7 W	
CCT	Trim style	Baffle finish	lm	lm/W
6000K	Trim	White	205	29
		Black, Champagne, Dark bronze	160	23
		Satin silver, Matte silver	179	26
5000K	Trim	White	205	29
		Black, Champagne, Dark bronze	160	23
		Satin silver, Matte silver	179	26
2700K	Trim	White	180	26
		Black, Champagne, Dark bronze	140	20
		Satin silver, Matte silver	157	22



# PETITE 1" DOWNLIGHT

ROUND RECESSED WALL WASH  
NEW CONSTRUCTION



## Technical Specifications

### OPTIC

The CircaFlex™ Optic uses advanced beam-splitting technology to allow light to follow an intended optical path with maximal precision, minimal spread, and even distribution.

### LIGHT SOURCE

#### Static white

Compact COB (Chip-On-Board) LED module, available in 2400K, 2700K, 3000K, 3500K, 4000, and 5000K with a choice of 80+ CRI, 90+ CRI, or 95+ CRI, with elevated R9 value for 90+ CRI and above. Color consistency is maintained to within 2 SDCM. All LEDs have been tested in accordance with IESNA LM-80-08 and the results have shown L80 lumen maintenance greater than 60,000 hours. Absolute product photometry is measured and presented in accordance with IESNA LM-79, unless otherwise indicated.

#### Chromawerx SOLA

Chromawerx SOLA is single-channel control that dims output while warming the color temperature in a pre-determined relationship. Two color temperature range options are offered: 3000K to 1800K, and 2700K to 1800K. A simple analog control adjusts a specially populated LED array to emulate the effect of dimming a filament source.

#### Chromawerx DUO

Chromawerx DUO offers a two-channel control system which uses analog or digital protocols for synchronous control of both cool to warm LED arrays - maintaining a CRI above 90. Two color temperature range options are offered: 6500K to 2700K, and 5000K to 2700K. The range of color DUO offers is useful for entraining circadian rhythms, stimulating alertness, and compensating for jet lag among other applications. The Chromawerx drivers are programmed to limit maximum light output and power usage across all color temperatures. When paired with DALI drivers (DDA/DDA8), color tuning follows a linear dimming curve.

### ELECTRICAL

Unless otherwise specified, dimming down to 1%. At maximum driver load: efficiency > 84%, PF > 0.9, THD < 20%.

**Integral:** 0-10V, ELV, TRIAC, eldoLED 1% ECOdrive 0-10V, eldoLED 0.1% SOLOdrive 0-10V, Lutron Hi-lume Premier 0.1% EcoSystem

**Remote:** 0-10V, ELV, TRIAC, Lutron Hi-lume 1% Eco, DALI, eldoLED 1% ECOdrive 0-10V, eldoLED 0.1% SOLOdrive 0-10V, Lutron Hi-lume Premier 0.1% EcoSystem, DMX, Lutron DALI-2 digital

**Emergency battery option:** Remotely-installed, long-life, high-temperature, maintenance-free, Bodine Lithium-Ion battery pack with self-test functionality, test switch and charge indicator. IOTA and Fulham options available upon request. Minimum of 90 minutes operation, and recharge time of 24 hours. For fixtures less than 10 W, the battery provides 6 W of emergency light output. For fixtures 10 W and over, the battery provides 10 W.

### PoE

Depending on the PoE manufacturer selected, Lumenwerx will install the node in factory as either integral to the luminaire, or as a remote module. Factory programming of the PoE node may or may not enable the following functionalities: lumen package, DUO (tunable white), QUADRO (RGBW), emergency battery backup, and sensor integration. These must be addressed and evaluated on a case-by-case basis.

### CONSTRUCTION

**Housing:** For new construction, 20 gauge powder coated steel. 18 gauge galvanized steel junction box with ½" trade size knockouts. Adjustable standard, flush mount, adjustable commercial, and adjustable hat channel bar hangers are available as mounting options.

**Baffle:** Die-cast aluminum mounted with retaining spring clips

**Heat sink:** Die-cast aluminum

### WEIGHT

**Integral:** 4 lbs - 1.8 kg

**Remote:** 2.1 lbs. - 0.95 kg

### LENS



Wall Wash

### ENVIRONMENT

Ambient temperature at fixture location shall be within 0°C/32°F - 25°C/77°F, indoor dry or damp as well as outdoor damp use (canopies or marquees)

### CERTIFICATIONS

**ETL:** Rated for indoor dry/damp locations. Conforms to UL Standard 1598 and certified to CAN/CSA Standard C22.2 No. 250.0.

**Chicago Plenum:** City of Chicago approved (CCEA) when specified with CP installation type option.

**IC rated:** Suitable for direct contact with insulation when specified with IC or CP installation type options.

### WARRANTY

Lumenwerx provides a five-year limited warranty on electrical and mechanical performance of the luminaires, including the LED boards, drivers, and auxiliary electronics. Lumenwerx will repair or replace defective luminaires or components at our discretion, provided they have been installed and operated in accordance with our specifications. Other limitations apply, please refer to the full warranty on our website.