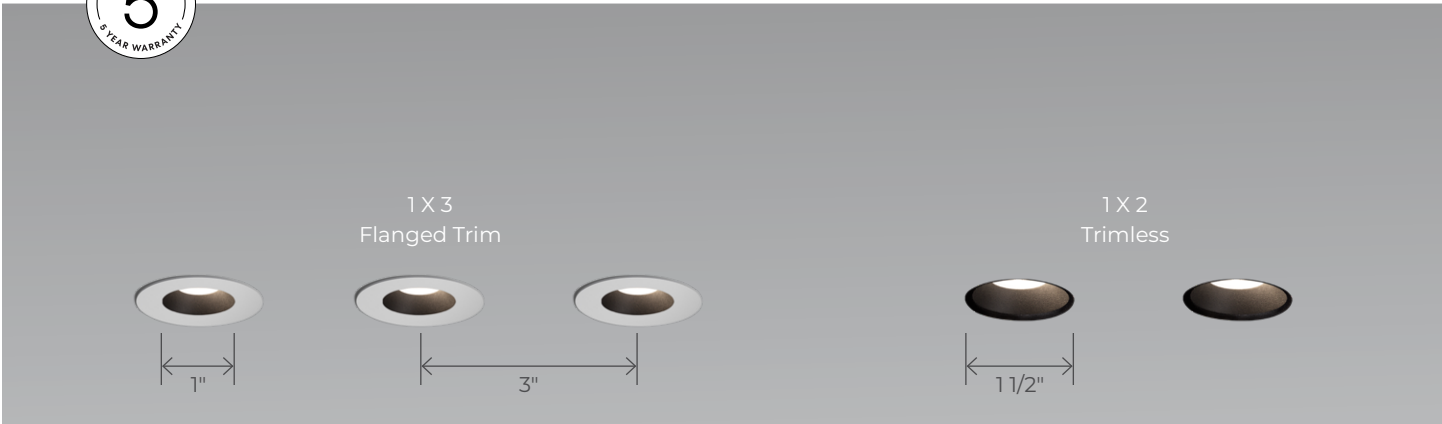


# PETITE 1" MULTI-APERTURE

## ROUND RECESSED

### NEW CONSTRUCTION



The Petite family strikes that perfect balance of compact size, streamlined aesthetics, and high performance. Through their 1" lens apertures, these meticulously engineered downlight, cylinder, and multi-aperture luminaires breathe light into spaces with a quiet, straightforward sophistication.

#### Array



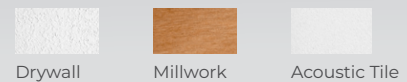
#### Beam Angles



#### Light Source



#### Ceiling Types



#### Plenum Clearance

As low as 1 3/4"



#### Petite Family (Refer to other spec sheets)

##### Downlight



Adjustable      Recessed      Wall Wash

##### Multi-aperture



Adjustable      Recessed      Wall Wash

##### Cylinder



Pendant      Surface



# PETITE 1" MULTI-APERTURE

## ROUND RECESSED

## NEW CONSTRUCTION



Project: \_\_\_\_\_

Type: \_\_\_\_\_

### Order Guide

LUMINAIRE ID <sup>1</sup>	ARRAY	TRIM STYLE	BAFFLE FINISH Specify NA for Glow ring	TRIM FLANGE FINISH Specify NA for Glow ring and Trimless	LENS
<b>PETIMRR</b>					
<b>PETIMRR</b> - Petite 1" Multi-aperture Round Recessed  <sup>1</sup> Recessed Adjustable and Recessed Wall Wash also available. Consult other spec sheets.	<b>1X2M</b> - 1 X 2 <b>1X3M</b> - 1 X 3	<b>TRM</b> - Flanged trim <b>TRMP</b> - Flush flanged trim drywall mudplate <b>TRMW</b> - Flush flanged trim millwork  <b>TLMP</b> - Trimless drywall mudplate <b>TLMW</b> - Trimless millwork  <b>GLR</b> - Glow ring	<b>FTMW</b> - Matte white <b>FTMB</b> - Matte black <b>FSPC</b> - Satin silver <b>FSSPC</b> - Matte silver <b>FCHP</b> - Champagne <b>FDBZ</b> - Dark bronze <b>FPF</b> - Primer finish <b>CF#</b> - Custom finish, specify RAL# <b>NA</b> - Not applicable	<b>FTMW</b> - Matte white <b>FTMB</b> - Matte black <b>FSPC</b> - Satin silver <b>FSSPC</b> - Matte silver <b>FCHP</b> - Champagne <b>FDBZ</b> - Dark bronze <b>FPF</b> - Primer finish <b>CF#</b> - Custom finish, specify RAL# <b>NA</b> - Not applicable	<b>At baffle</b>  <b>SDL</b> <sup>2</sup> - Soft diffused lens, Solite <b>NOL</b> - No lens  <sup>2</sup> Only available with 35° and 45° in static white.

CEILING THICKNESS	INSTALLATION TYPE <sup>3</sup>	MOUNTING OPTION <sup>5</sup>	LIGHT SOURCE	BEAM	COLOR QUALITY
<b>05IN</b> - Up to 0.5" <b>1IN</b> - 0.5" - 1"	<b>IC</b> <sup>4</sup> - Type-IC <b>NIC</b> - Type Non-IC <b>CP</b> <sup>4</sup> - Chicago Plenum Type-IC (CCEA)  <sup>3</sup> See page 3 for more details. <sup>4</sup> See Wattage section for limitations.	<b>ASB</b> - Adjustable standard bar hangers <b>FMB</b> - Flush mount bars <b>ACB</b> - Adjustable commercial bar hangers <b>AHC</b> - Adjustable hat channel bars <b>NA</b> - No bar hangers  <sup>5</sup> See page 4 for more details.	<b>SW</b> - Static white  <b>SOLA</b> - Dim-to-warm single channel control <b>DUO</b> - Tunable white 2-channel control	<b>35DEG</b> - 35° Narrow flood <b>45DEG</b> - 45° Flood <b>60DEG</b> <sup>6</sup> - 60° Wide flood  <sup>6</sup> Only available with TLMP and TLMW trim options. <sup>7</sup> Only available with TRM, TRMP, and TRMW trim options.  <b>45DEG</b> <sup>7</sup> - 45° Flood <b>60DEG</b> <sup>6</sup> - 60° Wide flood	<b>2STP</b> - 2 Step MacAdam Ellipse <b>3STP</b> - 3 Step MacAdam Ellipse  <b>3STP</b> - 3 Step MacAdam Ellipse

CRI	COLOR TEMPERATURE	DRIVER <sup>9</sup>	VOLTAGE	WATTAGE PER LIGHT	DIMMING <sup>17</sup>
<b>80CRI</b> - 80+ CRI <b>90CRI</b> - 90+ CRI <b>95CRI</b> - 95+ CRI	<b>24K</b> <sup>8</sup> - 2400K <b>27K</b> - 2700K <b>30K</b> - 3000K <b>35K</b> - 3500K <b>40K</b> - 4000K <b>50K</b> <sup>8</sup> - 5000K  <sup>8</sup> Not available with 95+ CRI	<b>INTEGRAL</b> <sup>10</sup>  <sup>9</sup> A driver provided per light. <sup>10</sup> Access above the ceiling is required. <sup>11</sup> A remote driver box is provided.	<b>120V</b> - 120V <b>277V</b> - 277V <b>UNV</b> - 120V-277V	<b>7W</b> <sup>12,13</sup> - 7 W output, up to 605 lm <b>10W</b> <sup>14,15,16</sup> - 10 W output, up to 798 lm  <sup>12</sup> Not available with UNV when specified with NIC and 1 X 3 array. <sup>13</sup> Only available with 120V when specified with IC/CP and 1 X 3 array. <sup>14</sup> Not available with IC/CP. <sup>15</sup> Not available with UNV when specified with 1 X 2 array. <sup>16</sup> Only available with 120V when specified with 1 X 3 array.	<b>D1</b> - 1% 0-10V <b>ELV</b> <sup>18</sup> - ELV 120V <b>TRI</b> <sup>18</sup> - TRIAC 120V <b>ELD1</b> - eldoLED 1% ECOdrive 0-10V <b>ELD0</b> - eldoLED 0.1% SOLOdrive 0-10V <b>PEQO</b> <sup>19</sup> - Lutron Hi-lume Premier 0.1% EcoSystem  <sup>17</sup> PoE (Power-over-Ethernet) compatible. Consult factory for details. <sup>18</sup> Available with 120V only. <sup>19</sup> On-site commissioning is required.
<b>90CRI</b> - 90+ CRI	<b>SOLA</b> <b>30K18K</b> - 3000K to 1800K <b>27K18K</b> - 2700K to 1800K  <b>DUO</b> <b>65K27K</b> - 6500K to 2700K <b>50K27K</b> - 5000K to 2700K	<b>REMOTE</b> <sup>11</sup>	<b>SOLA</b> <b>10W</b> <sup>14,15,16</sup> - 10 W output, up to 387 lm	<b>SOLA</b> <b>10W</b> <sup>14,15,16</sup> - 10 W output, up to 387 lm	<b>SOLA</b> <b>SDI</b> - Single 0-10V input <b>SELV</b> <sup>18</sup> - ELV 120V <b>STRI</b> <sup>18</sup> - TRIAC 120V
<b>DO NOT SPECIFY FOR REMOTE. SEE "REMOTE DRIVER BOX" SECTION BELOW.</b>					

### Remote Driver Box

Ordered separately. Specify each required remote driver box on a separate line. ←

REMOTE DRIVER <sup>20</sup>	LUMINAIRE QTY. <sup>21</sup>	LUMINAIRE ID	VOLTAGE	WATTAGE PER LIGHT	DIMMING
		<b>PETIMRR</b>			
<b>RDB#</b> - Remote driver box  <sup>20</sup> Specify an RDB number (#) for each required remote driver box.	<b>2X</b> <sup>22</sup> - 2 luminaires <b>3X</b> <sup>23</sup> - 3 luminaires  <sup>21</sup> Each luminaire requires its own driver. Specify the number of luminaires per driver box. <sup>22</sup> Only available with 1 X 2 array. <sup>23</sup> Only available with 1 X 3 array.	<b>PETIMRR</b> - Petite 1" Multi-aperture Round Recessed	<b>120V</b> - 120V <b>277V</b> - 277V <b>UNV</b> - 120V-277V <b>347V</b> <sup>24</sup> - 347V  <sup>24</sup> Available with RDI driver only. Please consult factory.	<b>7W</b> <sup>25,26</sup> - 7 W output, up to 605 lm <b>10W</b> <sup>27,28,29</sup> - 10 W output, up to 798 lm  <sup>25</sup> Not available with UNV when specified with NIC and 1 X 3 array. <sup>26</sup> Only available with 120V when specified with IC/CP and 1 X 3 array. <sup>27</sup> Not available with IC/CP. <sup>28</sup> Not available with UNV when specified with 1 X 2 array. <sup>29</sup> Only available with 120V when specified with 1 X 3 array.	<b>RDI</b> - 1% 0-10V <b>RELV</b> <sup>30</sup> - ELV 120V <b>RTRI</b> <sup>30</sup> - TRIAC 120V <b>RLDEI</b> <sup>31</sup> - Lutron Hi-lume 1% Eco <b>RDA</b> <sup>31</sup> - DALI  <sup>30</sup> Available with 120V only. <sup>31</sup> On-site commissioning is required. <sup>32</sup> To specify, add +EB to the selected dimming option, e.g. RDI+EB.  <b>RELD1</b> - eldoLED 1% ECOdrive 0-10V <b>RELD0</b> - eldoLED 0.1% SOLOdrive 0-10V <b>RPEQO</b> <sup>31</sup> - Lutron Hi-lume Premier 0.1% EcoSystem <b>+EB</b> <sup>32</sup> - Emergency battery  <b>RSDI</b> - Single 0-10V input <b>RSELV</b> <sup>30</sup> - ELV 120V <b>RSTRI</b> <sup>30</sup> - TRIAC 120V  <b>DUO</b> <b>RDMX</b> <sup>31</sup> - DMX <b>RDDA</b> <sup>31</sup> - DALI DT6 <b>RDDA8</b> <sup>31</sup> - DALI DT8  <b>RDD1</b> - Dual 0-10V input for CCT/intensity <b>RLD2</b> <sup>31</sup> - Lutron DALI-2 digital

<b>EXAMPLE CODE:</b>	<b>LIGHT</b>	PETIMRR-1X2M-TRM-FTMW-FTMW-SDL-1IN-IC-ASB-SW-35DEG-2STP-90CRI-35K-REMOTE	<b>REMOTE DRIVER</b>	RDB1-2X-PETIMRR-120V-7W-RDI
----------------------	--------------	--------------------------------------------------------------------------	----------------------	-----------------------------



# PETITE 1" MULTI-APERTURE

## ROUND RECESSED

### NEW CONSTRUCTION

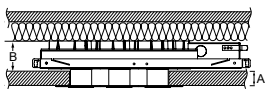


## Installation Types

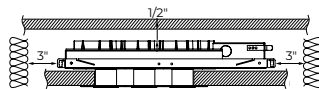
IC - Type-IC / NIC - Type Non-IC / CP - Chicago Plenum Type-IC (CCEA)		
<b>INTEGRAL</b>	<b>1X2M - 1 X 2</b> 	<b>1X3M - 1 X 3</b> 
<b>REMOTE</b>	<b>1X2M - 1 X 2</b> 	<b>1X3M - 1 X 3</b> 

- For integral, access above the ceiling is required.  
 - For dimension B, see the PLENUM CLEARANCE table below.

### PLENUM CLEARANCE

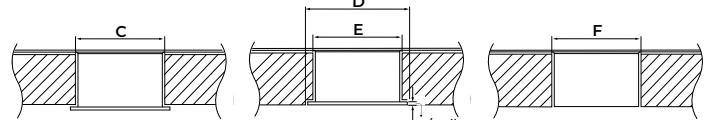


IC/CP - Insulated ceiling



NIC\* - Non-insulated ceiling  
 \* No insulation within 3" of the fixture.

### CUT-OUT DIMENSIONS



TRM - TRMP - TLMP - GLR

TRMW

TLMW

PLENUM CLEARANCE HEIGHT AND CEILING THICKNESS					
		IC/CP		NIC	
<b>A</b>	<b>Ceiling thickness</b>	<b>1IN</b>	<b>0.5IN</b>	<b>1IN</b>	<b>0.5IN</b>
<b>B</b>	<b>Integral</b>	2 1/8" (FMB) 4" (ASB, ACB, AHC)		2 5/8" (FMB) 4" (ASB, ACB, AHC)	
	<b>Remote</b>	1 3/4" (FMB) 4" (ASB, ACB, AHC)	2 1/8" (FMB)	2 1/4" (FMB) 4" (ASB, ACB, AHC)	2 5/8" (FMB)

CUT-OUT DIMENSIONS				
		Drywall	Acoustic tile	Millwork
<b>C</b>	<b>TRM</b>	Ø 1 11/16"		N/A
	<b>TRMP / TLMP</b>	Ø 1 11/16"	N/A	
	<b>GLR</b>	Ø 1 11/16"		
<b>D</b>	<b>TRMW</b>	N/A		Ø 1 13/16"
<b>E</b>		N/A		Ø 1 11/16" with 1/16" lip
<b>F</b>	<b>TLMW</b>	N/A	Ø 1 11/16"	



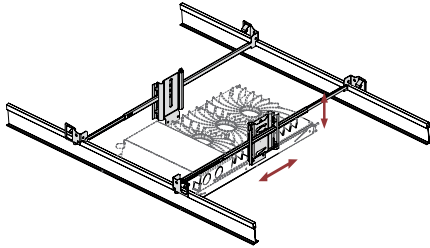
# PETITE 1" MULTI-APERTURE

ROUND RECESSED  
NEW CONSTRUCTION



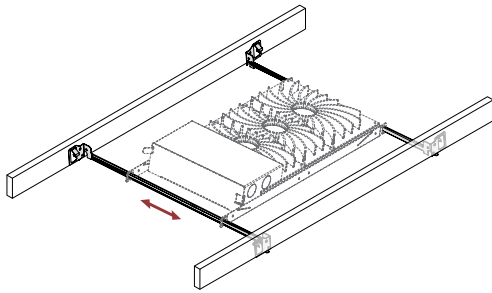
## Mounting Options

### ASB - Adjustable Standard Bar Hangers



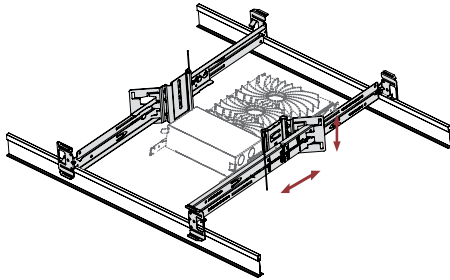
Adjustable Standard Bar hangers can be used in both commercial and residential applications and are adjustable to various heights in both Grid Ceiling and Drywall mounting. ASB hangers are less rigid and versatile than ACB hangers.

### FMB - Flush Mount Bars



Flush Mount Bars are best used in residential applications, fitting snug to the surface and suitable for Wood, Metal, and Drywall mounting. The flush mounted bars are static and can't be adjusted.

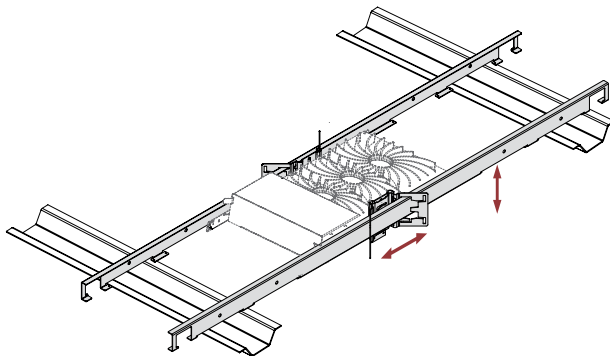
### ACB - Adjustable Commercial Bar Hangers



Adjustable Commercial Bar hangers can be used in both commercial and residential applications and are by far the most versatile mounting bar we offer with its adjustability to various heights. ACB hangers are suitable for Grid Ceiling, Drywall, Metal, Wood and Frame mounting.

- Extremely rigid
- Fits into C-Channel notches in a Butterfly Bracket

### AHC - Adjustable Hat Channel Bars



Adjustable Hat Channel bars can be used in both commercial and residential applications and come with a butterfly clip to adjust to various heights. AHC bars can be hung downward by 90 degrees in vertical position, and once wired, can be shifted onto the horizontal mounting plane. AHC bars are suitable for both Drywall and wood ceiling applications.

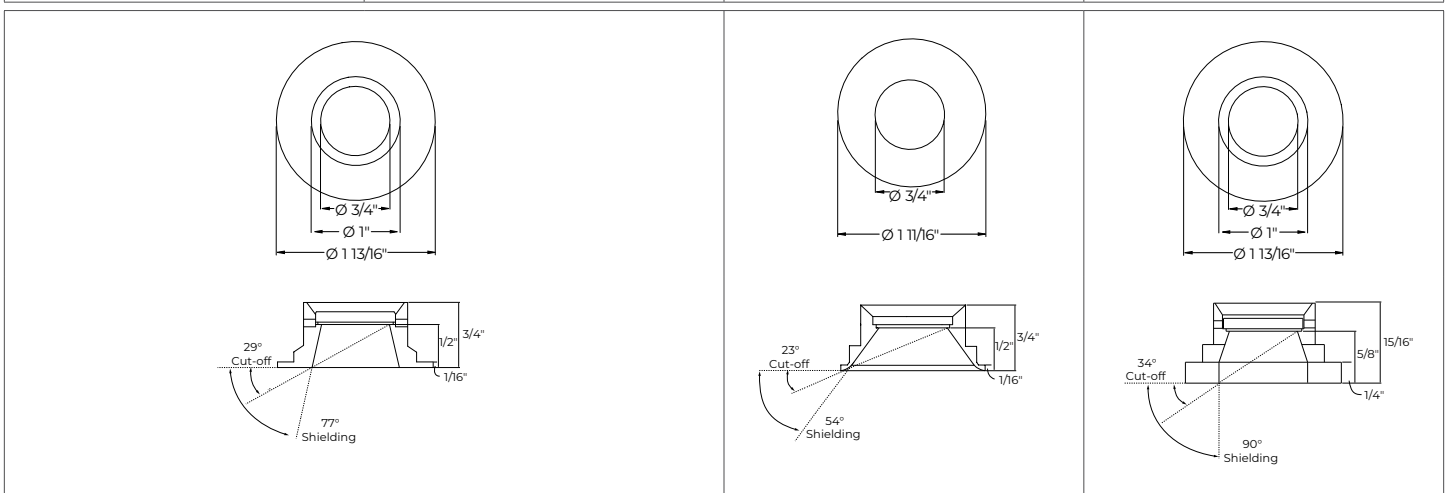
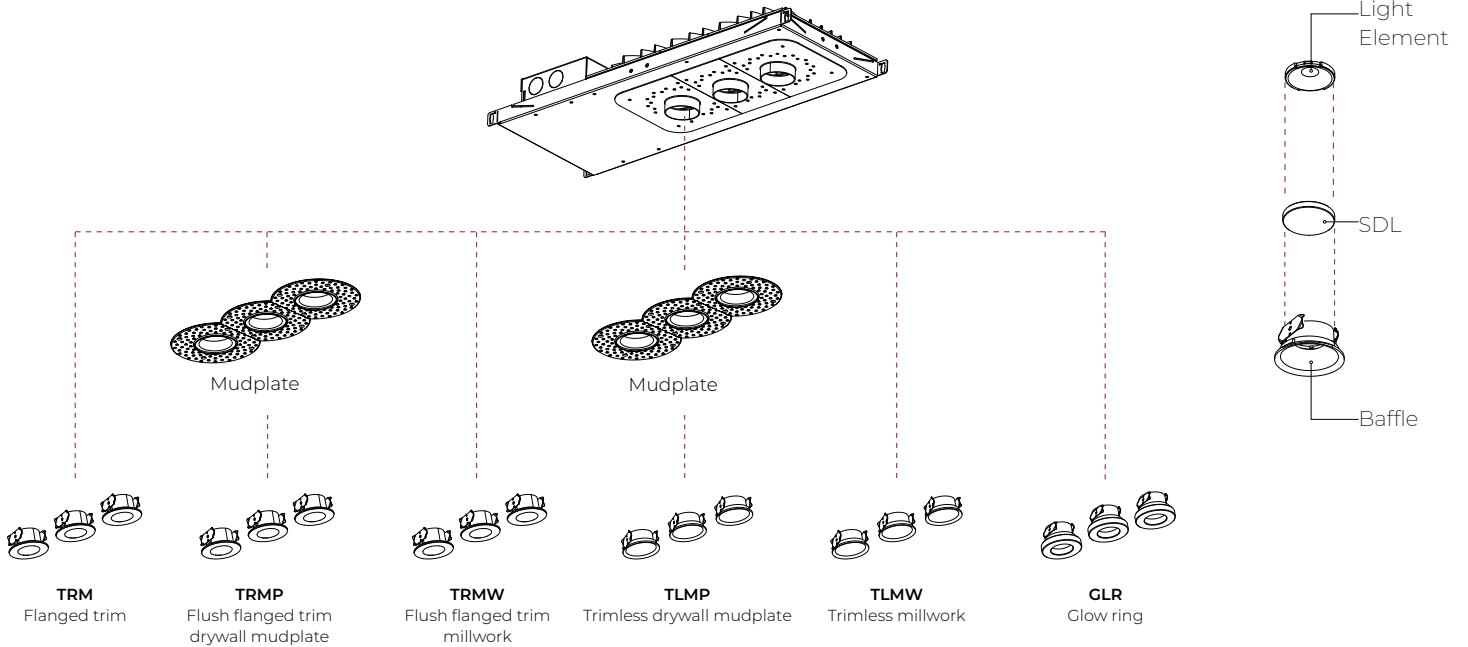
# PETITE 1" MULTI-APERTURE

ROUND RECESSED  
NEW CONSTRUCTION



## Trim Style

## Lens



# PETITE 1" MULTI-APERTURE

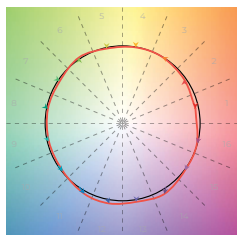
## ROUND RECESSED

### NEW CONSTRUCTION



## Color Quality

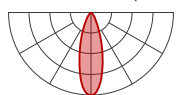
COLOR QUALITY - 3500K	
TM-30 R <sub>r</sub>	91
TM-30 R <sub>g</sub>	100
CRI	90+
R9	> 50



## Photometrics

### STATIC WHITE

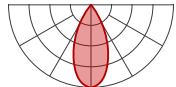
Values calculated based on 3500K, 90+ CRI, and with no lens. The light distribution will vary depending on trim style and baffle finish. All values are per light.



35DEG - 35° Narrow flood

WATTAGE		7 W		10 W	
Trim style	Baffle finish	lm	lm/W	lm	lm/W
Trim	White	480	69	633	63
	Black, Champagne, Dark bronze	392	56	517	52
	Satin silver, Matte silver	458	65	604	60
Trimless	White	538	77	709	71
	Black, Champagne, Dark bronze	495	71	652	65
	Satin silver, Matte silver	534	76	705	70

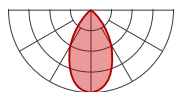
Glow ring	486	69	641	64
-----------	-----	----	-----	----



45DEG - 45° Flood

WATTAGE		7 W		10 W	
Trim style	Baffle finish	lm	lm/W	lm	lm/W
Trim	White	509	73	671	67
	Black, Champagne, Dark bronze	412	59	543	54
	Satin silver, Matte silver	488	70	643	64
Trimless	White	605	86	798	80
	Black, Champagne, Dark bronze	522	75	688	69
	Satin silver, Matte silver	576	82	759	76

Glow ring	490	70	646	65
-----------	-----	----	-----	----



60DEG - 60° Wide flood

WATTAGE		7 W		10 W	
Trim style	Baffle finish	lm	lm/W	lm	lm/W
Trimless	White	381	54	502	50
	Black, Champagne, Dark bronze	296	42	391	39
	Satin silver, Matte silver	339	48	447	45

## MULTIPLIERS

Please follow the multiplier tables to ensure correct lumen value. CCT, CRI, and lensing will change the lumen value.

CCT		CRI		LENS	
2400K	0.87	80+ CRI	1	SDL - Soft diffused lens, Solite	0.91
2700K	0.94	90+ CRI	1	NOL - No lens	1
3000K	0.98	95+ CRI	0.77		
3500K	1				
4000K	1.05				
5000K	1.05				



# PETITE 1" MULTI-APERTURE

## ROUND RECESSED

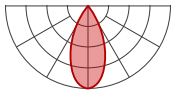
### NEW CONSTRUCTION



## Photometrics

### SOLA/DUO

Values calculated based on with no lens. The light distribution will vary depending on baffle finish and trim style. All values are per light.



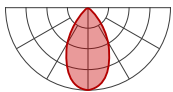
45DEG - 45° Flood

#### SOLA

WATTAGE			10 W	
CCT	Trim style	Baffle finish	lm	lm/W
3000K	Trim	White	327	33
		Black, Champagne, Dark bronze	265	26
		Satin silver, Matte silver	313	31
2700K	Trim	White	327	33
		Black, Champagne, Dark bronze	265	26
		Satin silver, Matte silver	313	31

#### DUO

WATTAGE			7 W	
CCT	Trim style	Baffle finish	lm	lm/W
6000K	Trim	White	192	27
		Black, Champagne, Dark bronze	149	21
		Satin silver, Matte silver	168	24
5000K	Trim	White	192	27
		Black, Champagne, Dark bronze	149	21
		Satin silver, Matte silver	168	24
2700K	Trim	White	168	24
		Black, Champagne, Dark bronze	130	19
		Satin silver, Matte silver	147	21



60DEG - 60° Wide flood

#### SOLA

WATTAGE			10 W	
CCT	Trim style	Baffle finish	lm	lm/W
3000K	Trimless	White	387	39
		Black, Champagne, Dark bronze	314	31
		Satin silver, Matte silver	371	37
2700K	Trimless	White	387	39
		Black, Champagne, Dark bronze	314	31
		Satin silver, Matte silver	371	37

#### DUO

WATTAGE			7 W	
CCT	Trim style	Baffle finish	lm	lm/W
6000K	Trimless	White	227	32
		Black, Champagne, Dark bronze	177	25
		Satin silver, Matte silver	199	28
5000K	Trimless	White	227	32
		Black, Champagne, Dark bronze	177	25
		Satin silver, Matte silver	199	28
2700K	Trimless	White	199	28
		Black, Champagne, Dark bronze	155	22
		Satin silver, Matte silver	174	25

# PETITE 1" MULTI-APERTURE

## ROUND RECESSED

### NEW CONSTRUCTION



## Technical Specifications

### OPTIC

The CircaFlex™ Optic uses advanced beam-splitting technology to allow light to follow an intended optical path with maximal precision, minimal spread, and even distribution.

### LIGHT SOURCE

#### Static white

Compact COB (Chip-On-Board) LED module, available in 2400K, 2700K, 3000K, 3500K, 4000, and 5000K with a choice of 80+ CRI, 90+ CRI, or 95+ CRI, with elevated R9 value for 90+ CRI and above. Color consistency is maintained to within 2 SDCM. All LEDs have been tested in accordance with IESNA LM-80-08 and the results have shown L80 lumen maintenance greater than 60,000 hours. Absolute product photometry is measured and presented in accordance with IESNA LM-79, unless otherwise indicated.

#### Chromawerx SOLA

Chromawerx SOLA is single-channel control that dims output while warming the color temperature in a pre-determined relationship. Two color temperature range options are offered: 3000K to 1800K, and 2700K to 1800K. A simple analog control adjusts a specially populated LED array to emulate the effect of dimming a filament source.

#### Chromawerx DUO

Chromawerx DUO offers a two-channel control system which uses analog or digital protocols for synchronous control of both cool to warm LED arrays - maintaining a CRI above 90. Two color temperature range options are offered: 6500K to 2700K, and 5000K to 2700K. The range of color DUO offers is useful for entraining circadian rhythms, stimulating alertness, and compensating for jet lag among other applications. The Chromawerx drivers are programmed to limit maximum light output and power usage across all color temperatures. When paired with DALI drivers (DDA/DDA8), color tuning follows a linear dimming curve.

### ELECTRICAL

Unless otherwise specified, dimming down to 1%. At maximum driver load: efficiency > 84%, PF > 0.9, THD < 20%.

**Integral:** 0-10V, ELV, TRIAC, eldoLED 1% ECOdrive 0-10V, eldoLED 0.1% SOLOdrive 0-10V, Lutron Hi-lume Premier 0.1% EcoSystem

**Remote:** 0-10V, ELV, TRIAC, Lutron Hi-lume 1% Eco, DALI, eldoLED 1% ECOdrive 0-10V, eldoLED 0.1% SOLOdrive 0-10V, Lutron Hi-lume Premier 0.1% EcoSystem, DMX, Lutron DALI-2 digital

**Emergency battery option:** Remotely-installed, long-life, high-temperature, maintenance-free, Bodine Lithium-Ion battery pack with self-test functionality, test switch and charge indicator. IOTA and Fulham options available upon request. Minimum of 90 minutes operation, and recharge time of 24 hours. For fixtures less than 10 W, the battery provides 6 W of emergency light output. For fixtures 10 W and over, the battery provides 10 W.

### PoE

Depending on the PoE manufacturer selected, Lumenwerx will install the node in factory as either integral to the luminaire, or as a remote module. Factory programming of the PoE node may or may not enable the following functionalities: lumen package, DUO (tunable white), QUADRO (RGBW), emergency battery backup, and sensor integration. These must be addressed and evaluated on a case-by-case basis.

### CONSTRUCTION

**Housing:** For new construction, 20 gauge powder coated steel. 18 gauge galvanized steel junction box with ½" trade size knockouts. Adjustable standard, flush mount, adjustable commercial, and adjustable hat channel bar hangers are available as mounting options.

**Baffle:** Die-cast aluminum mounted with retaining spring clips

**Glow ring:** Acrylic

**Heat sink:** Die-cast aluminum

### WEIGHT

	1 X 2	1 X 3
<b>Integral</b>	5.1 lbs - 2.3 kg	6.2 lbs - 2.8 kg
<b>Remote</b>	3.2 lbs - 1.4 kg	4.2 lbs - 1.9 kg

### LENS



Soft diffused lens, Solite

### ENVIRONMENT

Ambient temperature at fixture location shall be within 0°C/32°F - 25°C/77°F, indoor dry or damp as well as outdoor damp use (canopies or marquees)

### CERTIFICATIONS

**ETL:** Rated for indoor dry/damp locations. Conforms to UL Standard 1598 and certified to CAN/CSA Standard C22.2 No. 250.0.

**Chicago Plenum:** City of Chicago approved (CCEA) when specified with CP installation type option.

**IC rated:** Suitable for direct contact with insulation when specified with IC or CP installation type options.

### WARRANTY

Lumenwerx provides a five-year limited warranty on electrical and mechanical performance of the luminaires, including the LED boards, drivers, and auxiliary electronics. Lumenwerx will repair or replace defective luminaires or components at our discretion, provided they have been installed and operated in accordance with our specifications. Other limitations apply, please refer to the full warranty on our website.