

SAVE THESE INSTRUCTIONS

AND REFER TO THEM WHEN ADDITIONS TO OR CHANGES IN THE TRACK CONFIGURATION ARE MADE.

FOR USE WITH PIVOT TRACK SYSTEM ONLY

The track is only to be used with other electrical fittings identified for use with the track system.
The modules are only to be used with the Pivot track system.

IMPORTANT SAFETY INSTRUCTIONS:

When installing or using this track system, basic safety precautions should always be followed, including the following :

Read all of these installation instructions before installing the track system.

Wire dimming conductors as Class 1.

Make sure that the power to the track is turned off.

The track system is not intended for use with a power supply cord or convenience receptacle adaptor.

Do not install in wet or damp locations.

Do not cut any track sections.

Do not install any part of a track system less than 5 feet above the floor.

Do not install any luminaire assembly closer than 6 inches from any curtain or similar combustible material.

Disconnect electrical power before adding to or changing the configuration of the track. Do not attempt to energize anything other than lighting track luminaires on the track. To reduce the risk of fire and electric shock, do not attempt to connect power tools, extension cords, appliances, and the like to the track.

Track sections 1.2 m or less in length require two supports for mounting the track. For longer track sections, spacing between supports shall not exceed 1.2 m.



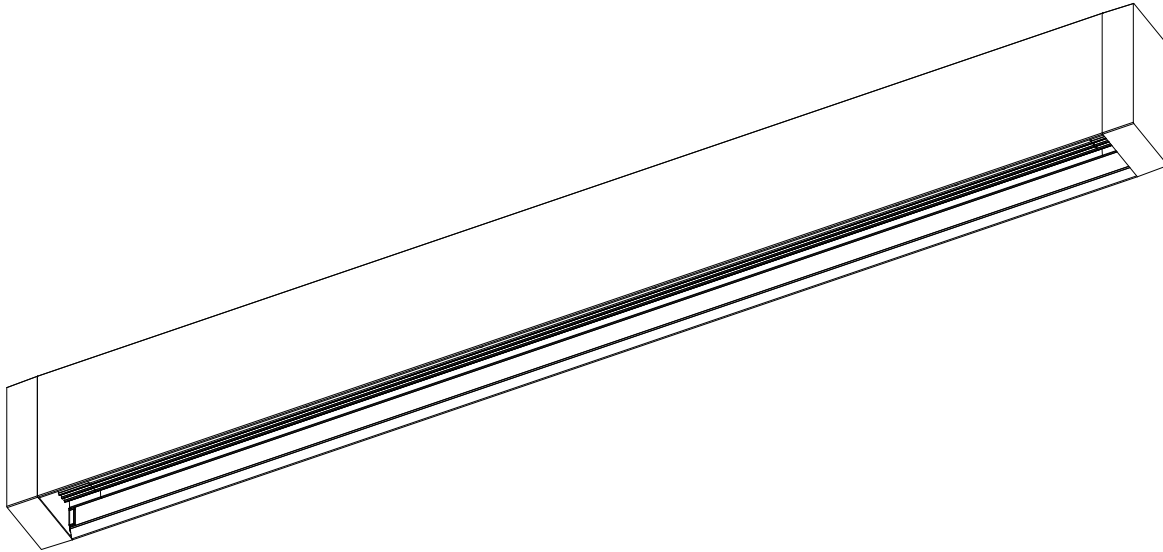
This product must be installed in accordance with the National Electrical Code and all applicable local codes, by a person familiar with the construction and operation of the product, and the hazards involved. Proper grounding is required for safety.

Ce produit doit être installé suivant le code national de l'électricité, ainsi que tous les codes locaux applicables, par une personne familière avec la construction et le fonctionnement du produit, ainsi que tous les risques qui y sont associés. La mise à terre électrique est obligatoire pour la sécurité.

PIVOT

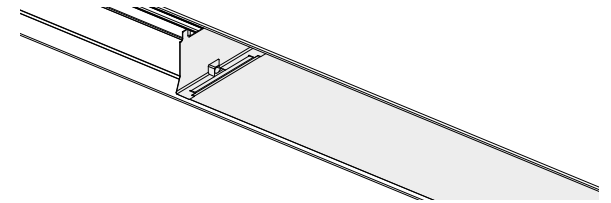
Track - Surface [PIVS]

OVERVIEW - TRACK

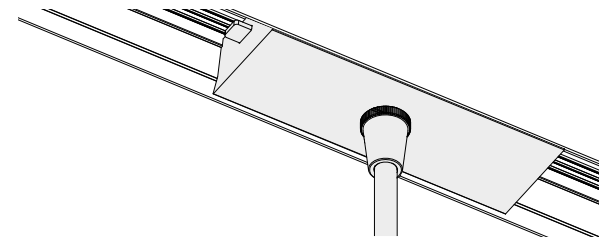


MODULE

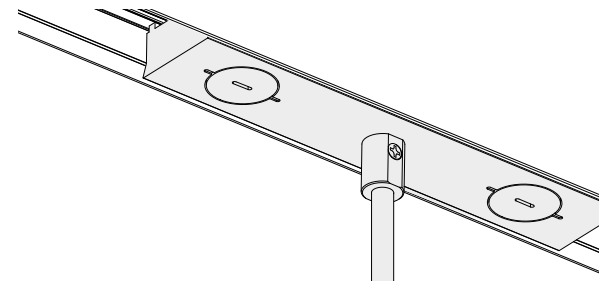
V-Lock



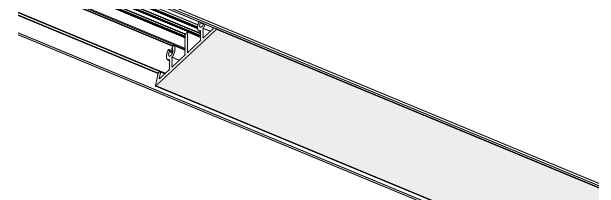
H-Lock



S-Lock



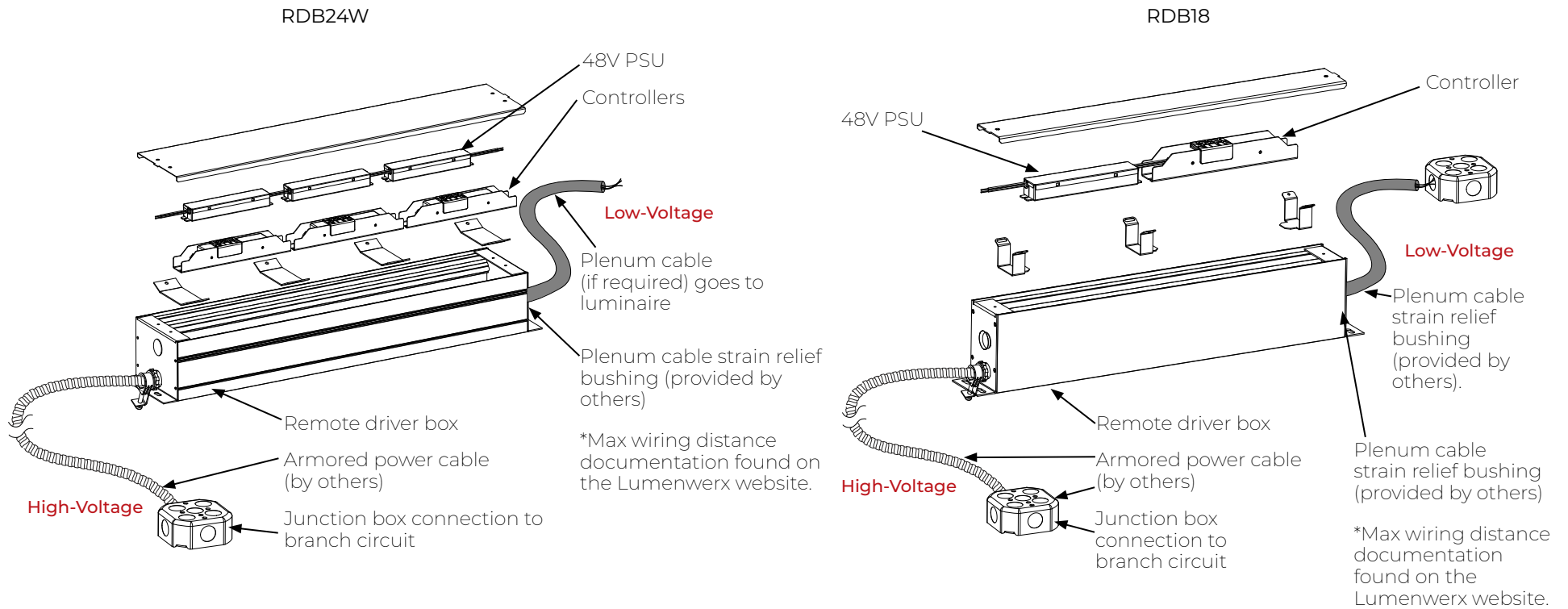
Blank



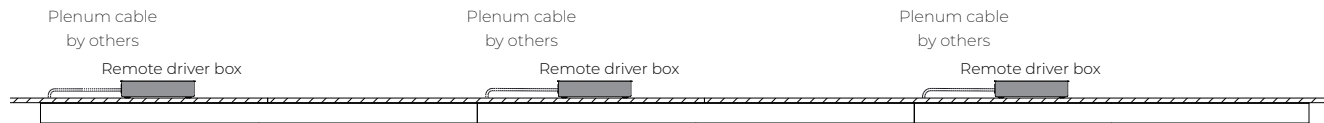
Index

IMPORTANT SAFETY INSTRUCTIONS.....	P.1
REMOTE DRIVER BOX	P.3
SINGLE UNIT.....	P.6
CONTINUOUS RUN	P.7
CONTINUOUS RUN WITH CORNER	P.8
MODULE INSTALLATION	P.10

OVERVIEW - REMOTE DRIVER BOX



Continuous run Installation



PIVOT

Track - Surface [PIVS]

Installation Instructions

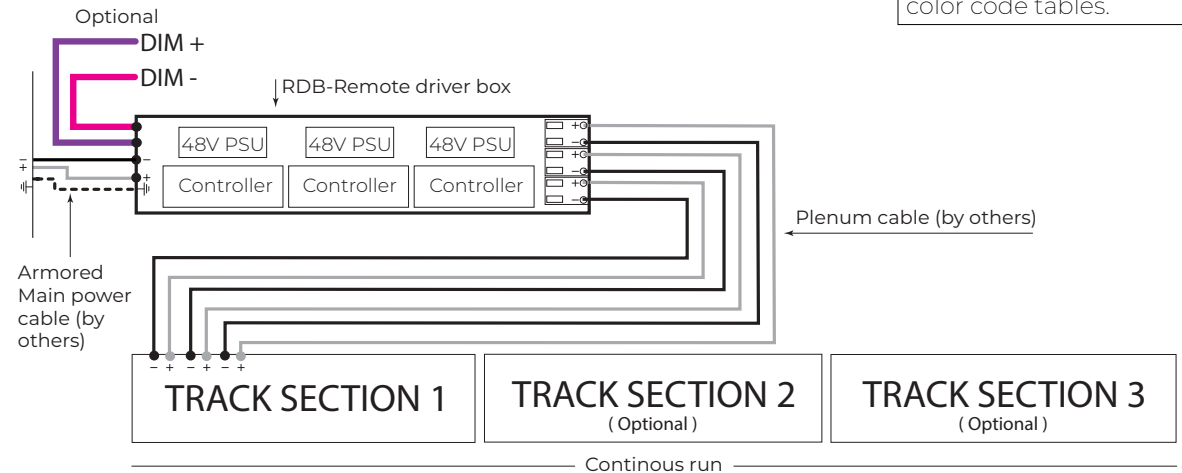
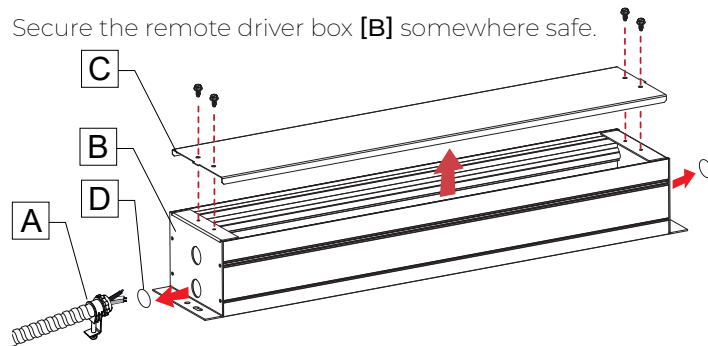
RDB - REMOTE DRIVER BOX

1 PREPARE REMOTE DRIVER BOX.

Bring high-voltage and dimming connections (optional) via armored power cable [A] (by others), towards the remote driver box [B].

Remove lid [C] by unscrewing the screws and remove power knock outs [D].

Secure the remote driver box [B] somewhere safe.

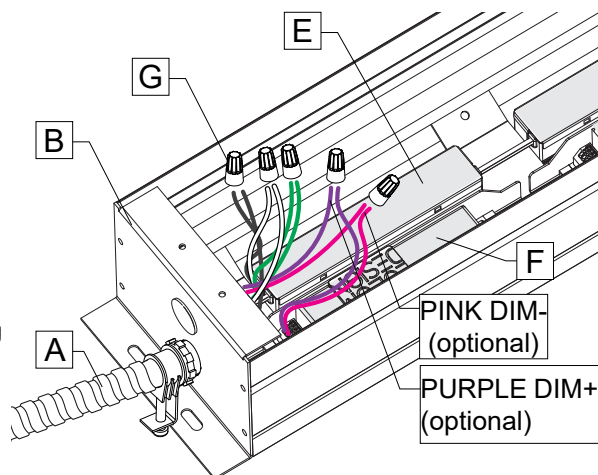


See page 5 for wiring color code tables.

2 HIGH VOLTAGE.

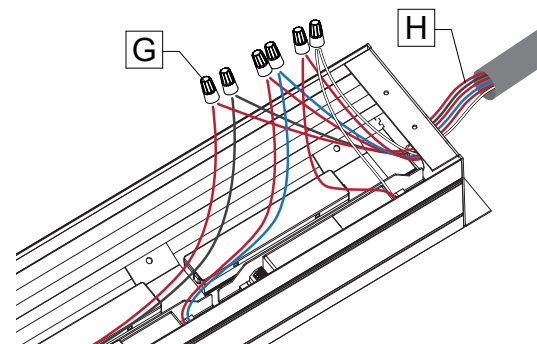
Bring and secure the armored power cable [A] to the driver box [B] using fittings (by others).

Make the wire connections between the armored power cable [A], the 48V power supply [E] and the controller [F] using wire nuts [G].



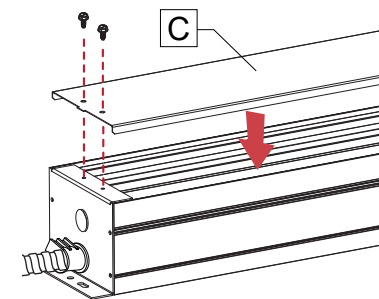
3 LOW VOLTAGE.

Make the low-voltage wire connections through a single knockout using wire nuts [G] by matching the colors from the remote driver box to those coming from the fixture [H].



4 INSTALL LID.

Install lid [C] by fastening it down with the supplied screws.



RDB WIRING

USC

	Wire Color		Function
	Input	Black	
White			Neutral
Green			Ground
Purple			Dim + (Optional)
Pink or Gray			Dim - (Optional)
Output	Red		Channel 1 + (Track section #1)
	White		Channel 1 - (Track section #1)
	Red		Channel 1 + (Track section #2 - Optional)
	Black		Channel 1 - (Track section #2 - Optional)
	Red		Channel 1 + (Track section #3 - Optional)
	Blue		Channel 1 - (Track section #3 - Optional)

DUC

	Wire Color		Function
	Input	Black	
White			Neutral
Green			Ground
Purple			Dim 1 + (Optional)
Red			Dim 2 + (Optional)
Pink or Gray			Dim - (Optional)
Output	Red		Channel 1 + (Track section #1)
	White		Channel 1 - (Track section #1)
	Red		Channel 2 + (Track section #1)
	Yellow		Channel 2 - (Track section #1)
	Red		Channel 1 + (Track section #2 - Optional)
	Black		Channel 1 - (Track section #2 - Optional)
	Red		Channel 2 + (Track section #2 - Optional)
	Blue		Channel 2 - (Track section #2 - Optional)

PIVOT

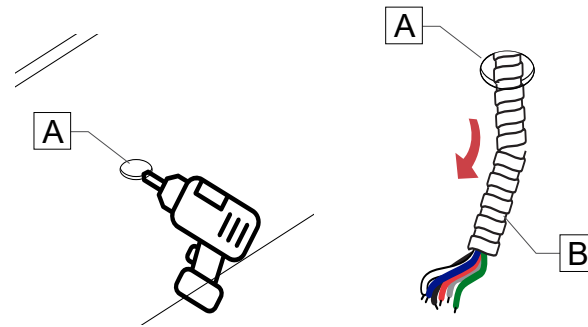
Track - Surface [PIVS]

SINGLE UNIT

1 PREPARE CEILING.

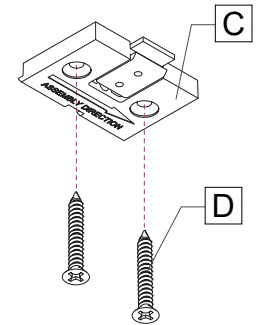
Drill hole opening, 3/8" [A] in ceiling, according to the dimensions given in the client drawings.

Bring the armored main power cable [B] from the ceiling opening.



2 INSTALL BRACKETS.

Install brackets [C] into ceiling with two screws [D].



3 MAKE ELECTRICAL CONNECTIONS TO ARMORED MAIN POWER.

Remove the power plate [E] from the fixture.

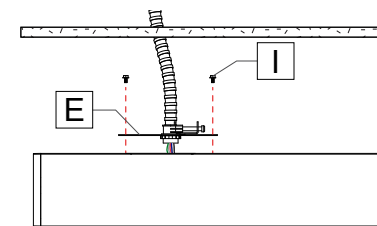
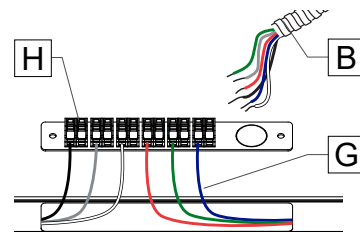
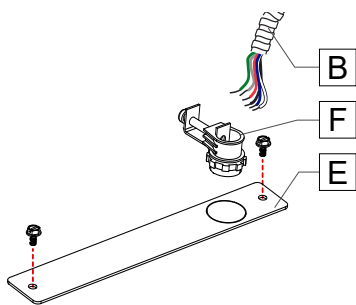
Install the armored main power cable connector [F] (by others) and the armored main power cable [B] (by others) through the power plate [E].

Make electrical connections between the armored main power cables [B] and fixture cables [G] with quick connectors [H].

NOTE: Connect the green wire to your ground wire.

Reinstall the power plate cover [E] with two screws [I].

NOTE: Number of wires may vary.

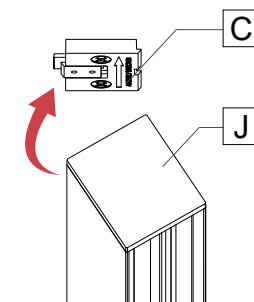


4 FIX FIXTURE TO BRACKET.

Insert the fixture [J] into the bracket [C].

NOTE: Gently pull down on the fixture to test if the locking system is in the grooves.

Number of brackets :
3' and 4' : 2 brackets.
6', 7' and 8' : 3 brackets.



PIVOT

Track - Surface [PIVS]

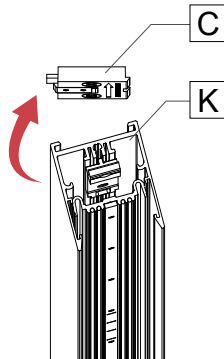
CONTINUOUS RUN

1 FOR CONTINUOUS RUN, REPEAT STEPS **1** TO **4** FROM THE SINGLE UNIT SECTION FOR THE 1ST FIXTURE IN THE RUN.

2 FIX 2ND FIXTURE TO BRACKET.

Insert the 2nd fixture [K] into the bracket [C].

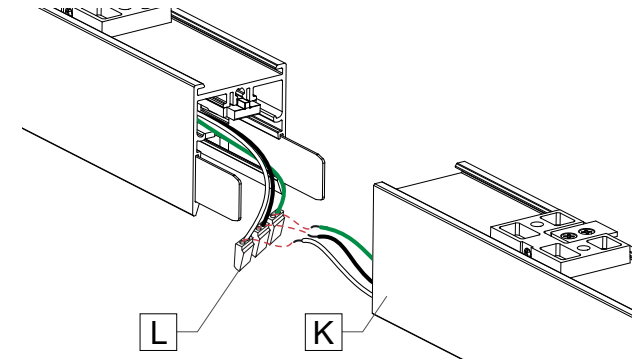
NOTE: Gently pull down on the fixture to test if the locking system is in the grooves.



3 MAKE ELECTRICAL CONNECTIONS BETWEEN FIXTURES.

Connect wires between fixtures using quick connectors [L]. Push wires inside the 2nd fixture [K].

NOTE: Number of wires may vary.

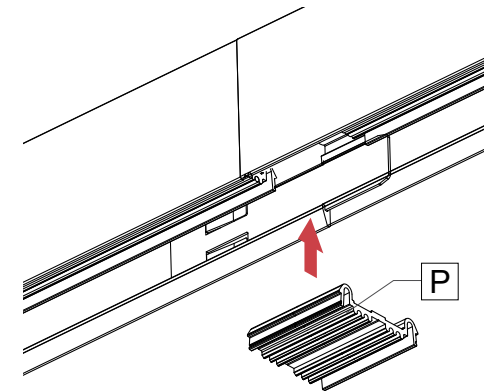
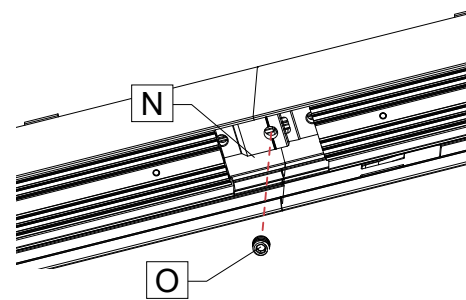
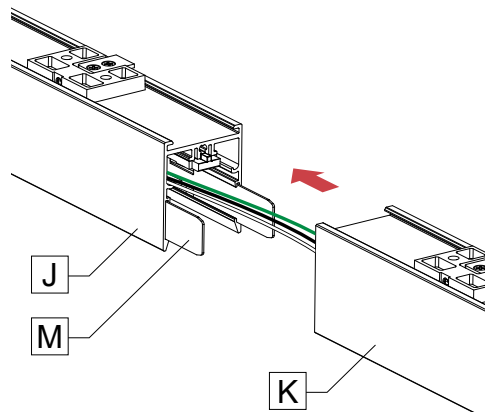


4 JOIN FIXTURES.

Slide the 2nd fixture [K] to the 1st fixture [J] aligning the blades [M] and push the 2nd fixture [K] until it clicks in.

Secure the the joiner [N] using set screws [O].

Put the track cover [P] between fixtures and push until it clicks in.



5 REPEAT STEPS **2** TO **4** FOR THE REST OF THE FIXTURES IN THE RUN.

PIVOT

Track - Surface [PIVS]

Installation Instructions

CONTINUOUS RUN WITH CORNER (Shown with 2-way V connection and also applies to all corner types) _____

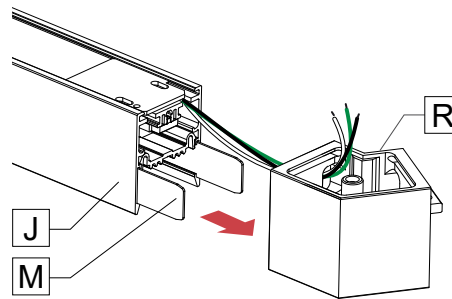
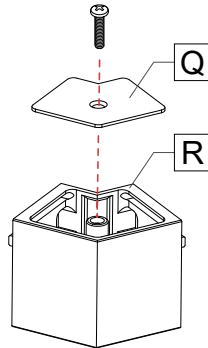
1 FOR CONTINUOUS RUN, REPEAT STEPS **1** AND **3** FROM THE SINGLE UNIT SECTION FOR THE 1ST FIXTURE IN THE RUN.

2 JOIN 1ST FIXTURE TO CORNER.

Unscrew the top cover [Q] from the corner [R].

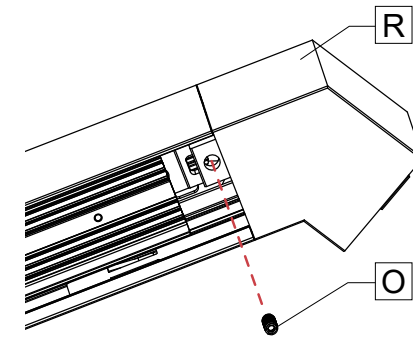
Pass the wires from the 1st fixture [J] through the corner [R].

Slide the 1st fixture [J] to the corner [R] aligning the blades [M].



3 INSTALL CORNER TO 1ST FIXTURE.

Secure the corner [R] using set screws [O].

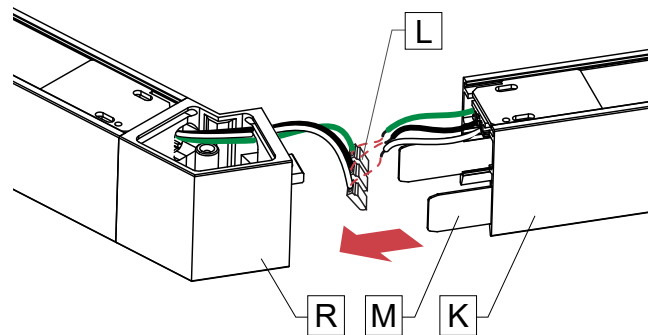


4 MAKE ELECTRICAL CONNECTIONS.

Connect wires between joining fixtures using quick connectors [L]. Push wires inside the corner [R].

Slide the 2nd fixture [K] to the corner [R] aligning the blades [M].

NOTE: Number of wires may vary.



PIVOT

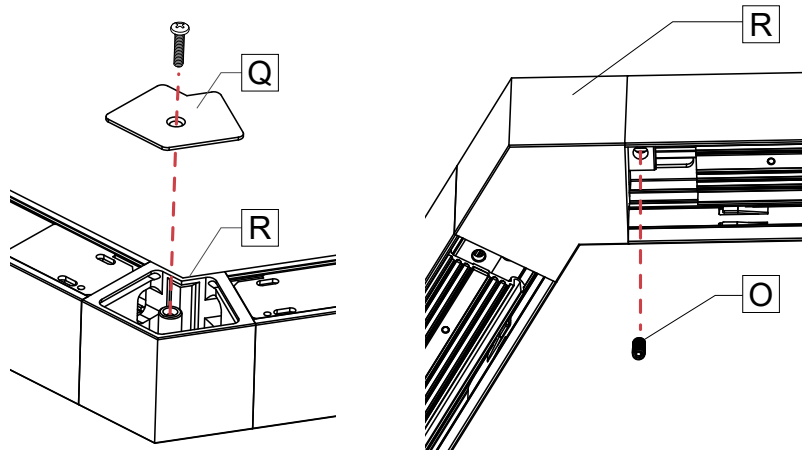
Track - Surface [PIVS]

Installation Instructions

5 SECURE CORNER TO FIXTURES.

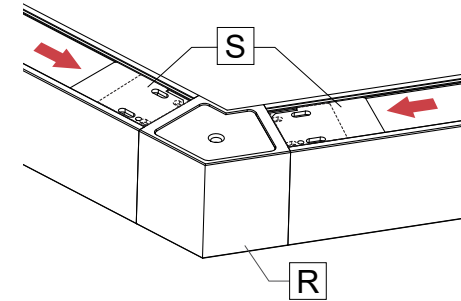
Secure the top cover [Q] to the corner [R] with screw.

Secure the corner [R] using a set screw [O].



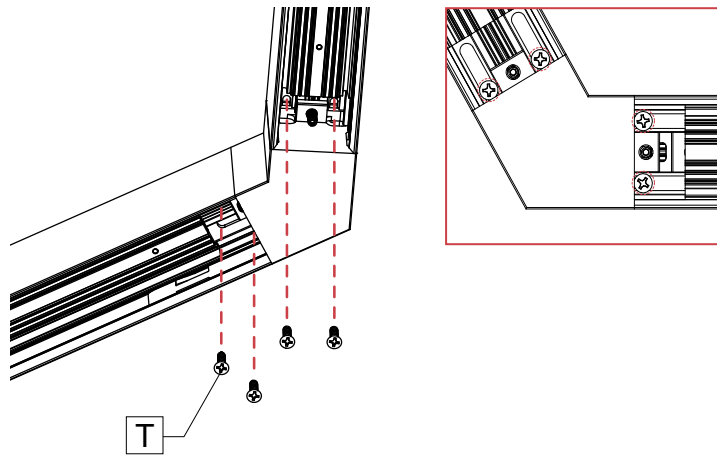
6 SLIDE TOP PLATES TO CORNER.

Slide the top plates [S] to the corner [R].



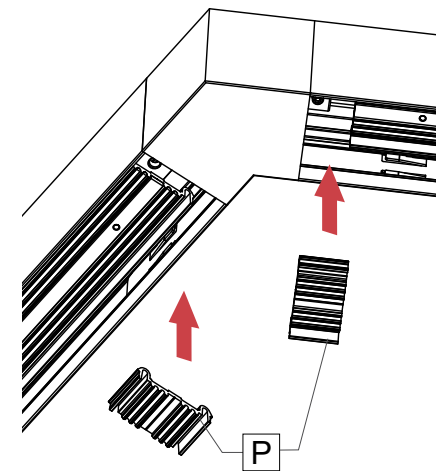
7 INSTALL FIXTURES TO CEILING.

Install the fixtures to the ceiling with screws [T].



8 INSTALL TRACK COVERS.

Put the track covers [P] into the tracks and push until they click in.



9 REPEAT STEPS 2 TO 8 FOR THE REST OF THE FIXTURES IN THE RUN.

PIVOT

Track - Surface [PIVS]

MODULE - V-LOCK

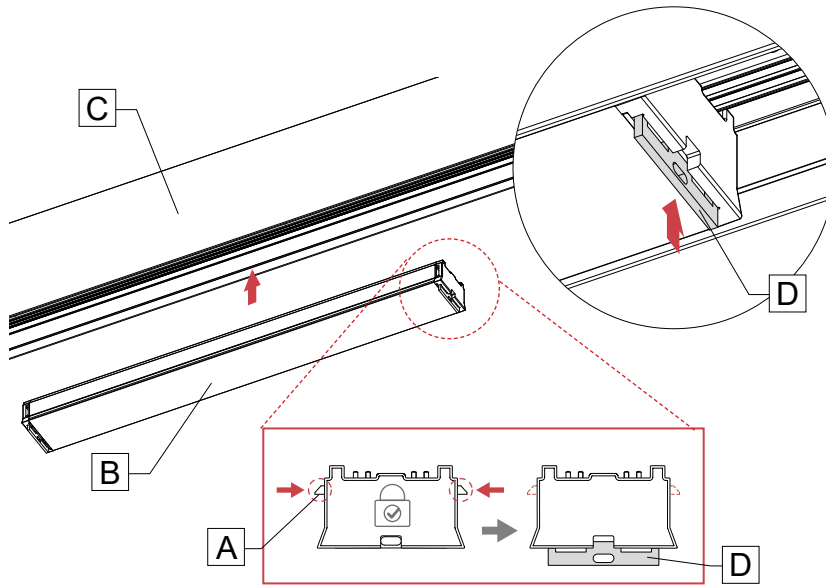
1 INSTALLATION.

Push in the two tabs [A].

Insert the module [B] into the track [C].



Push in the locking mechanism [D] to secure the module [B].

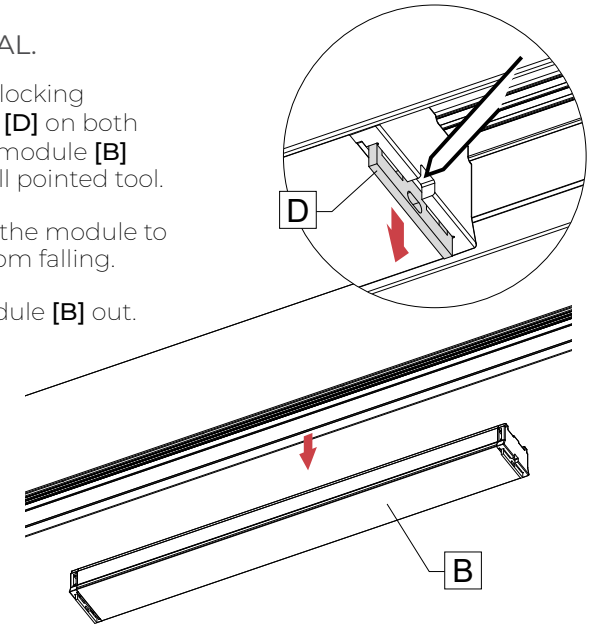


2 REMOVAL.

Pull out the locking mechanism [D] on both sides of the module [B] using a small pointed tool.

NOTE: Hold the module to prevent it from falling.

Pull the module [B] out.



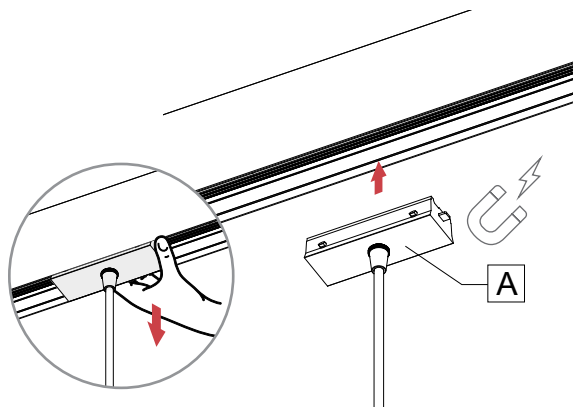
MODULE - H-LOCK

1 INSTALLATION.

Insert the module [A] into the track until it clicks.

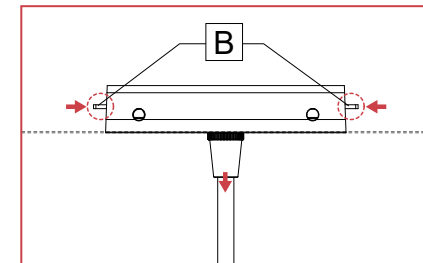
Make sure module is properly installed by gently pulling down on the module.

WARNING: Improper installation may result in the module falling down.



2 REMOVAL.

Push in the two tabs [B] and pull the module [A] out.



PIVOT

Track - Surface [PIVS]

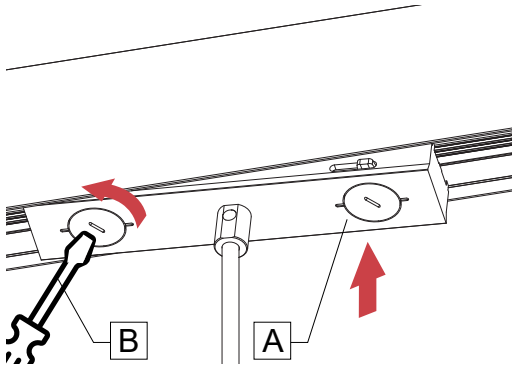
MODULE - S-LOCK

1 INSTALLATION.

NOTE: Hold the module all the times.

Insert one end of adapter [A] into the track.

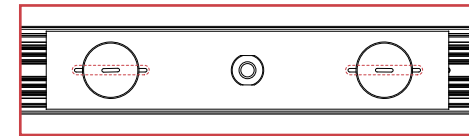
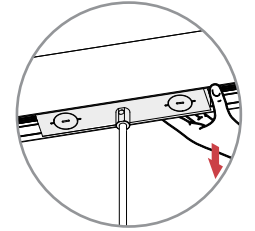
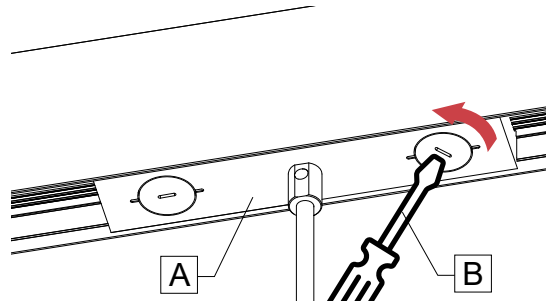
Turn the slotted screw counterclockwise with flat head screwdriver [B].



Insert the other end of the adapter [A] until it is flush with the track. It must not extend past the track. Turn the slotted screw counterclockwise with flat head screwdriver [B].

Make sure module is properly installed by gently pulling down on the module.

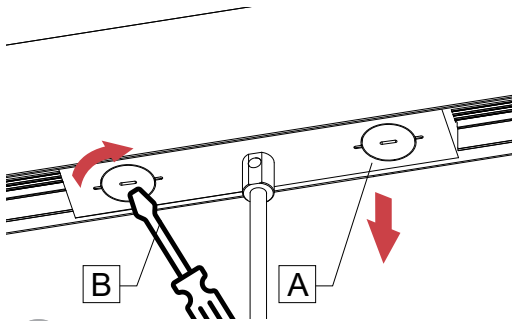
WARNING: Improper installation may result in the module falling down.



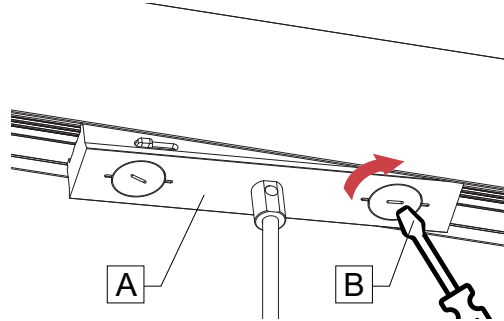
2 REMOVAL.

NOTE: Hold the module all the times.

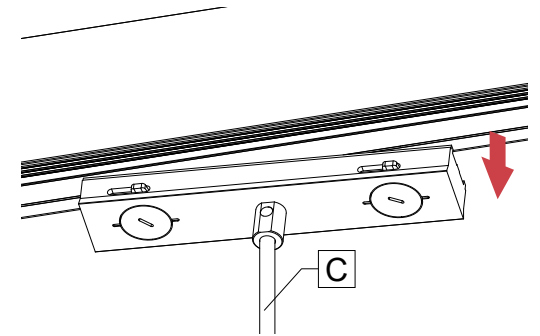
Remove one end of adapter [A] by turning the slotted screw clockwise with flat head screwdriver [B].



Remove the other end of adapter [A] by turning the slotted screw clockwise with flat head screwdriver [B].



Pull the module [C] out.

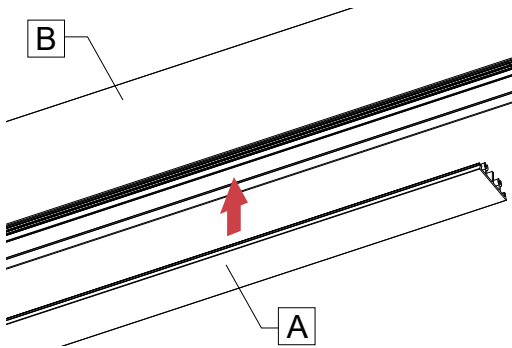


MODULE - BLANK

FACTORY-CUT

1 INSTALLATION.

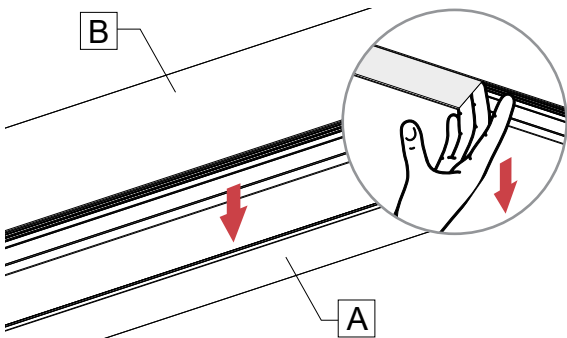
Insert the blank [A] into the track [B].



2 REMOVAL.

Pull the blank [A] out.

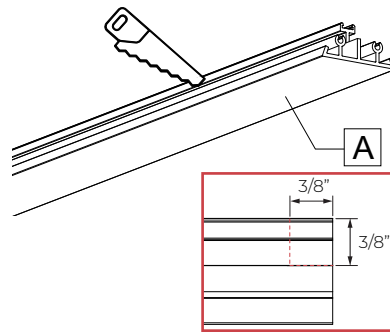
NOTE: Hold the blank to prevent it from falling.



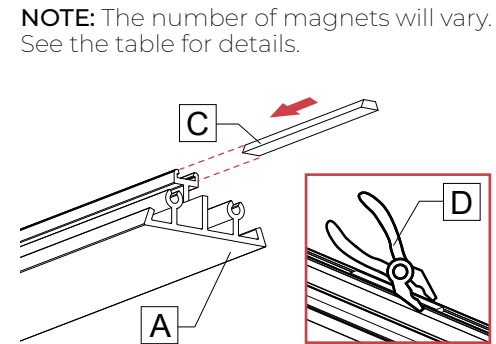
FIELD-CUT

1 CUT BLANK.

Cut the blank [A] to the desired length and make a notch ($3/8$ "x $3/8$ "") with a cutting tool.



Slide the magnet(s) [C] into the blank [A], and space them out evenly. Secure the magnet(s) [C] with pliers [D].

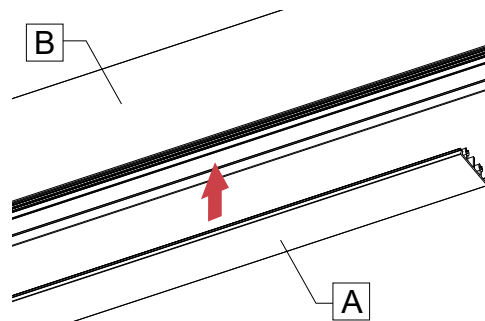


NOTE: The number of magnets will vary. See the table for details.

Blank Length	Number of Magnets
up to 8"	1
8" - 24"	2
24" - 36"	3
36" - 48"	4
48" - 60"	5
60" - 72"	6
72" - 84"	7
84" - 96"	8

2 INSTALLATION.

Insert the blank [A] into the track [B].



3 REMOVAL.

Pull the blank [A] out.

NOTE: Hold the blank to prevent it from falling.

