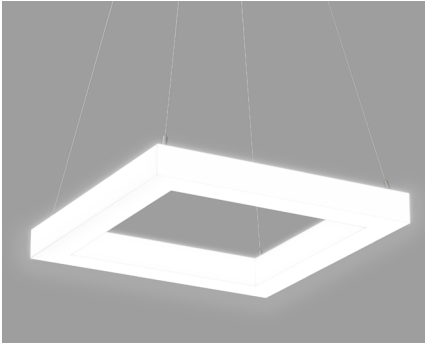


# POLY 2x2 LED



## PENDANT



### DESCRIPTION

Poly's geometric forms, appropriately scaled for use as discrete luminaires, offer new opportunities for creative approaches to general lighting. Poly rectangular pendants can distinguish a variety of special areas. The open form is airy and features a compact 2.5" profile (drivers are remote). Poly neatly complements recessed modular luminaires. Efficacies up to 121 LPW, multiple lumen outputs and electrical options make Poly practical, as well as creative.

PROJECT: \_\_\_\_\_

TYPE: \_\_\_\_\_

NOTES: \_\_\_\_\_



**SENSORS**  
For latest information on sensors, click [here](#).

### ORDER GUIDE

up to 121 lm/w performance

POLP	22	ULO	SW				
LUMINAIRE ID	SIZE	OPTIC	LIGHT SOURCE	CRI	LUMEN PACKAGES	COLOR TEMP.	VOLTAGE
POLP - poly pendant	22 - 2'X2'	ULO - Uniform Lambertian Optic	SW - Static white	80 - 80CRI 90 - 90CRI	2400 - min. low output 2400lm 4000 - medium output 4000lm 5600 - max. high output 5600lm #### - other required lm	27 - 2700k 30 - 3000k 35 - 3500k 40 - 4000k	120 - 120V 277 - 277V UNV - 120V-277V 347 <sup>1</sup> - 347V <sup>1</sup> Available with D1 driver only.

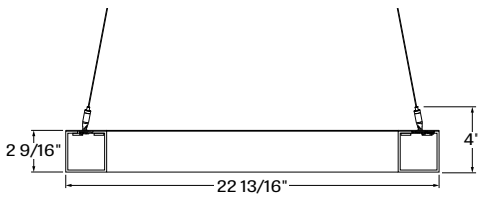
DRIVER	RDB	1	5SWAC36	W
REMOTE DRIVER BOX	ELECTRICAL	MOUNTING	FINISH	
D1 - 1% 0-10V DA <sup>2</sup> - DALI LDE1 <sup>2</sup> - Lutron Hi-lume 1% Eco <sup>2</sup> On-site commissioning is required.	RDB - Remote Driver Box	1 - 1 circuit	5SWAC36 - power 5" square canopy (36" air craft cable) <a href="#">For all other options refer to our Pendant Mounting Guide</a>	W - matte white

See page 2 for ordering code detailed information

### OPTIONS

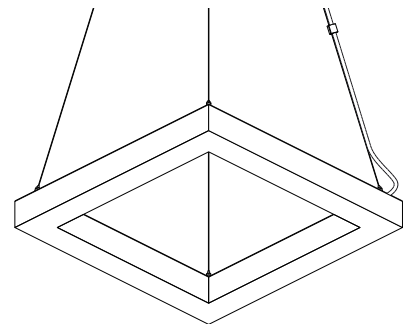
- FU120 - Fuse 120V
- FU277 - Fuse 277V
- CU - custom

### SECTION VIEW



POLP - air craft cable

### 3D VIEW



POLP - air craft cable



# POLY 2x2 LED



## PENDANT

### OPTIC

The **Uniform Luminous Optic (ULO)** drop lens of thermoformed acrylic provides three luminous faces with subtle uplight.

### LIGHT SOURCE - LED

Custom array of mid-flux LED's are mounted directly to the housing for optimal thermal performance. Available in 2700K, 3000K, 3500K, and 4000K with a minimum 80 CRI and an option for 90 CRI with elevated R9 value. Color consistency maintained to within 3 SDCM. LEDs operated at reduced drive current to optimize efficacy and lumen maintenance.

All LEDs have been tested in accordance with IESNA LM-80-08 and the results have shown L80 lumen maintenance greater than 60,000 hours. Absolute product photometry is measured and presented in accordance with IESNA LM-79, unless otherwise indicated.

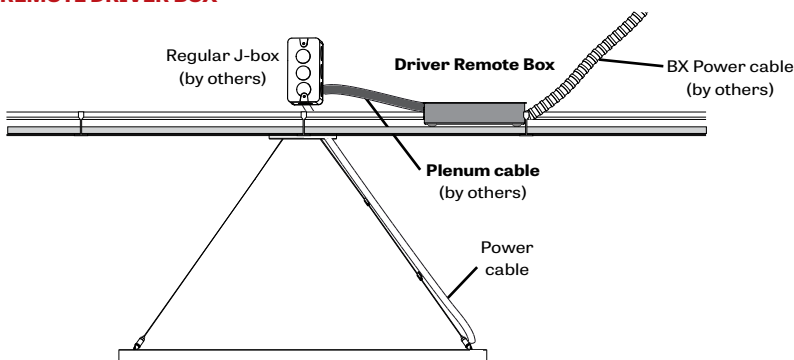
### PERFORMANCE AT 4000K

LED output	Color Temp	Watts	Nominal Delivered Lumens	Efficacy LPW
low output	4000K	20	2400	121
medium output	4000K	34	4000	117
high output	4000K	49.5	5600	113

### ELECTRICAL REMOTE

Factory-set, adjustable output current LED driver with universal (120-277VAC) input. Dimmable from 100% to 1% with 0-10V dimming control. Rated life (90% survivorship) of 50,000 hours at 50°C max. ambient (and 70°C max. case) temperature. At maximum driver load: Efficiency>84%, PF>0.9, THD<20%. Other specifiable options include Lutron Hi-Lume 1% Eco and DALI protocol drivers. All of our standard 0-10V drivers are NEMA 410 compliant.

### REMOTE DRIVER BOX

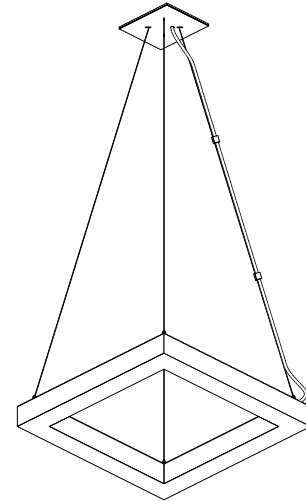


### MOUNTING OPTIONS

Fixtures are pendant-mounted, using aircraft cables. Unless otherwise specified, LumenWerx provides the following hardware:

**For cable-mounted fixtures** - 5SWAC36, 5" white canopy with a 36" cable.

[For all other options, see our website for a detailed Pendant Mounting Guide](#)



### FINISH

95% reflective, matte white powder coating

### CONSTRUCTION

**Reflector plate (LED holder)** - Die formed cold rolled sheet steel 18 gauge thick, 95% reflective matte white painted.

**Lens** - white acrylic

**Hanger** - Chromed Griplock with Safety Nuts securely attached

**Aircraft cable suspension** - Stainless Steel air craft cable 0.0313" thick

**Canopy** - Die formed cold rolled sheet steel 24 gauge thick, matte white powder coating

### WEIGHT

**POLY 2X2** - 7.02lbs - 3.18kg

### CERTIFICATION

**ETL** - Rated for indoor dry/damp locations. Conforms to UL Standard 1598 and certified to CAN/CSA Standard C22.2 No. 250.0.

# POLY 2x2 LED



## PENDANT

### WARRANTY

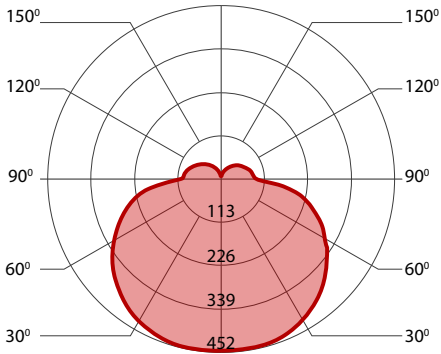
LumenWerx provides a five-year limited warranty of electrical and mechanical performance of the luminaires, including the LED boards, drivers, and auxiliary electronics. LumenWerx will repair or replace defective luminaires or components at our discretion, provided they have been installed and operated in accordance with our specifications. Other limitations apply, please refer to the full warranty on our website.

# POLY 2x2 LED



## PENDANT

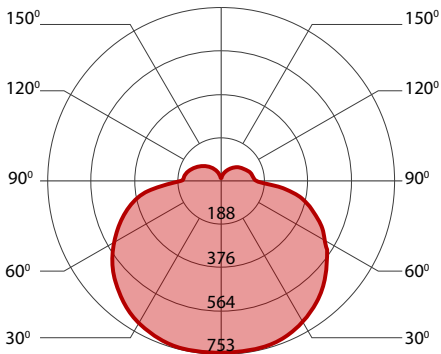
### 2400 LUMEN AT 80CRI - LOW OUTPUT



#### PERFORMANCE

LED output	Color Temp	Watts	Nominal Delivered Lumens	Efficacy LPW
low output	3000K	20.5	2400	116
low output	3500K	20.5	2400	117
low output	4000K	20	2400	121

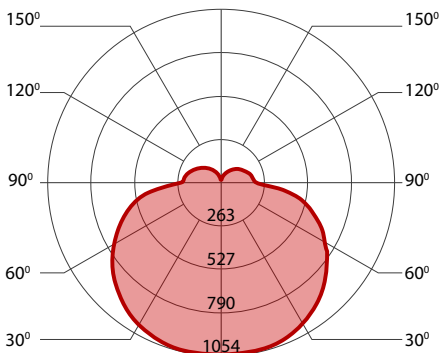
### 4000 LUMEN AT 80CRI - MEDIUM OUTPUT



#### PERFORMANCE

LED output	Color Temp	Watts	Nominal Delivered Lumens	Efficacy LPW
medium output	3000K	35.5	4000	112
medium output	3500K	35.5	4000	113
medium output	4000K	34	4000	117

### 5600 LUMEN AT 80CRI - HIGH OUTPUT



#### PERFORMANCE

LED output	Color Temp	Watts	Nominal Delivered Lumens	Efficacy LPW
high output	3000K	52.5	5600	107
high output	3500K	51.5	5600	109
high output	4000K	49.5	5600	113