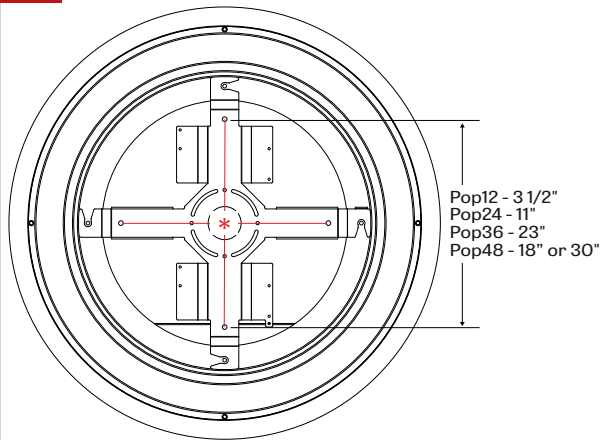


POP CORE ROUND

WALL-SURFACE MOUNT - INSTRUCTIONS

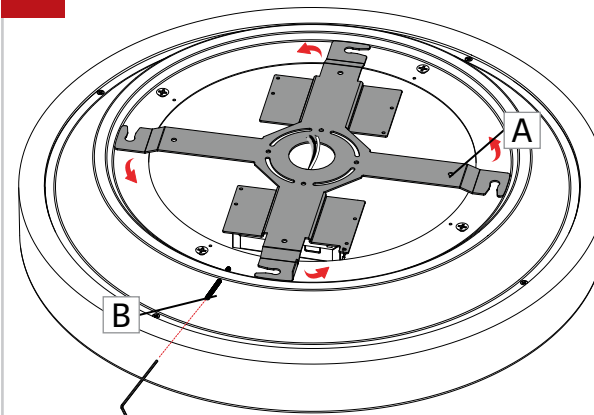
NOTE: Wire dimming conductors as Class 1

1



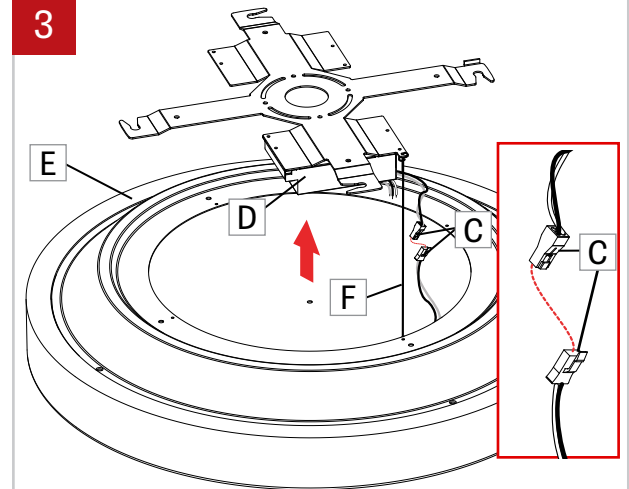
Locate mounting points on the fixture according to the client drawings.

2



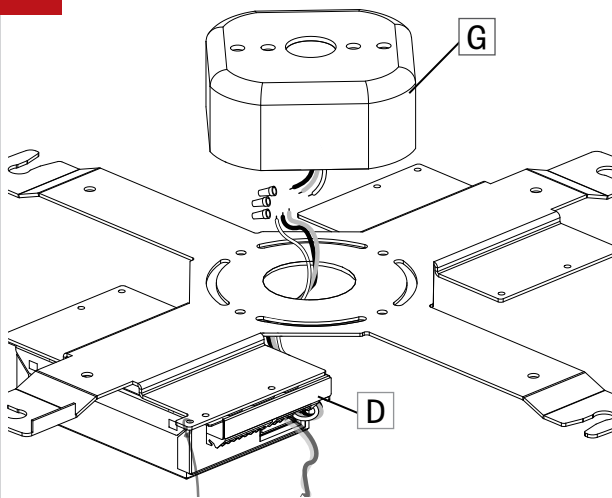
Remove the set screw (B) with an Allen key. Turn the mounting bracket (A) counterclockwise.

3



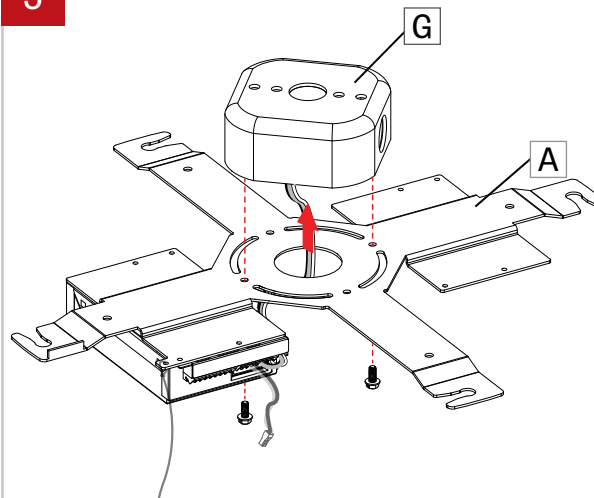
Disconnect quick connector (C) between driver (D) and the LED board (E). Remove security cable (F).

4



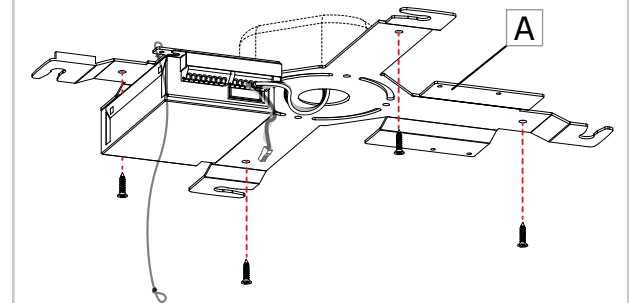
Make wire connections between driver (D) wires and power wires, inside the junction box (G).

5



Attach mounting bracket (A) on the junction box (G).

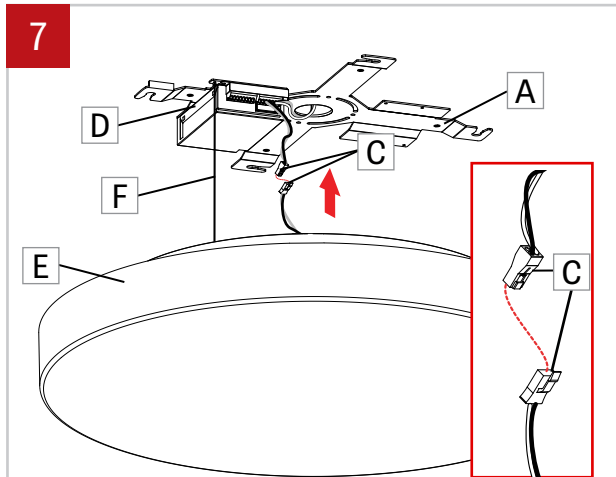
6



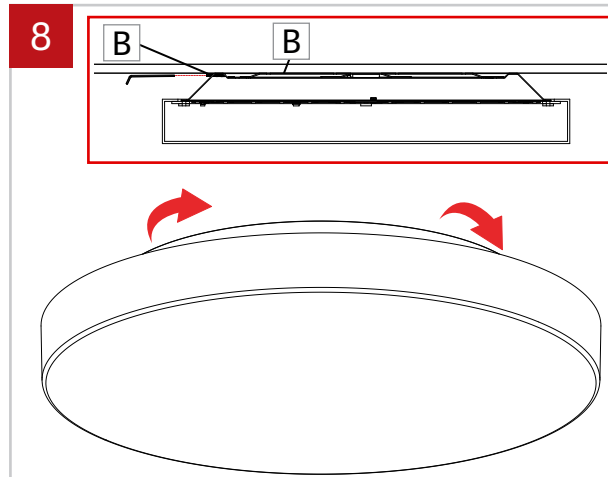
Screw the mounting bracket (A) to the wall or the ceiling to secure it in place.

POP CORE ROUND

WALL-SURFACE MOUNT - INSTRUCTIONS



Attach security cable (F) from the mounting bracket (A) to the LED board (E). Make wire connections between the driver (D) and the LED board (E) by connecting quick connectors (C).



Place the fixture on the mounting bracket and turn it clockwise to fix it. Lock the bracket by tightening the set screw (B) using an Allen key.