

# POP RECESSED

## Regressed Round - Drywall - Trim



This product must be installed in accordance with the National Electrical Code and all applicable local codes, by a person familiar with the construction and operation of the product, and the hazards involved. Proper grounding is required for safety.

Ce produit doit être installé suivant le code national de l'électricité, ainsi que tous les codes locaux applicables, par une personne familière avec la construction et le fonctionnement du produit, ainsi que tous les risques qui y sont associés. La mise à terre électrique est obligatoire pour la sécurité.



Wire dimming conductors as Class 1.



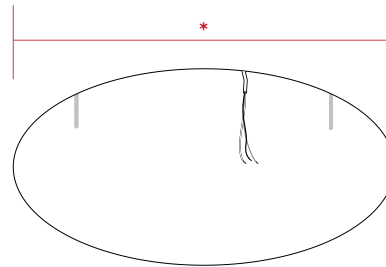
Shown with Ø36" fixture and applies to all sizes.

### 1 PREPARE CEILING OPENING.

**Caution:** Make sure the electrical power is turned off.

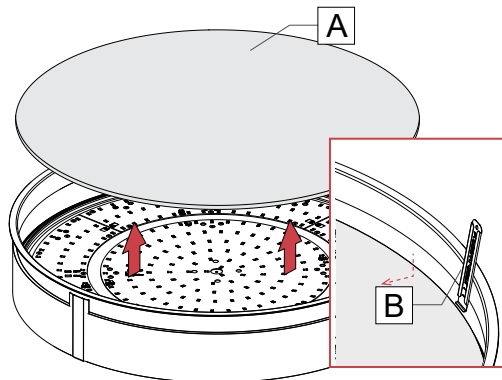
Cut hole in the drywall according to the dimension **[\*]** specified in the approved client drawing.

Locate threaded rods (by others) on the mounting surface.

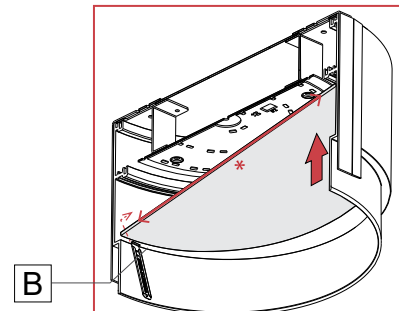


### 2 REMOVE THE LENS.

Push and shift the lens **[A]**. Remove the lens by inserting the lens removal tool **[B]**.

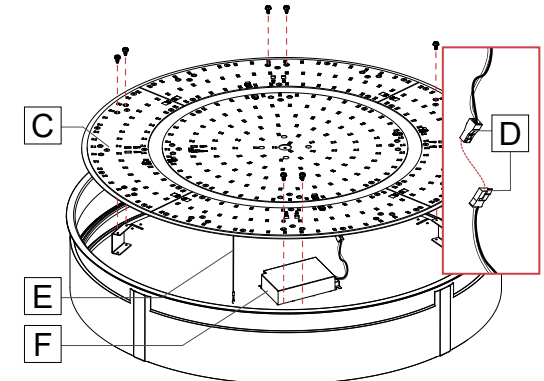


**Note:** For Ø12" & Ø24" fixtures, the lens is not a full circle (slightly elliptical). While pushing the lens, rotate it to find the shorter diameter **[\*]**, to be able to insert the lens tool **[B]**.



### 3 REMOVE THE LED PLATE.

Unscrew the LED plate **[C]** to access the driver **[F]**. Disconnect quick connectors **[D]** between the driver and the LED board. Remove the safety cables **[E]**.



# POP RECESSED

## Regressed Round - Drywall - Trim



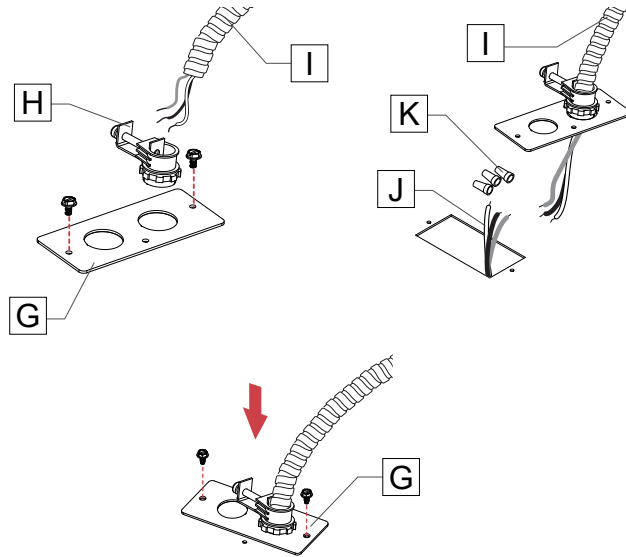
### 4 MAKE ELECTRICAL CONNECTIONS.

Remove the power plate [G] from the fixture and install BX connector [H] (by others) and BX cable [I] (by others) through the power plate. Tighten BX connector [H] screw.

**Warning:** Power must come from single branch circuit.

Connect wires from the BX cable [I] to the fixture driver wires [J] using wire nuts [K] (by others). Ensure connections comply with local and national electrical codes.

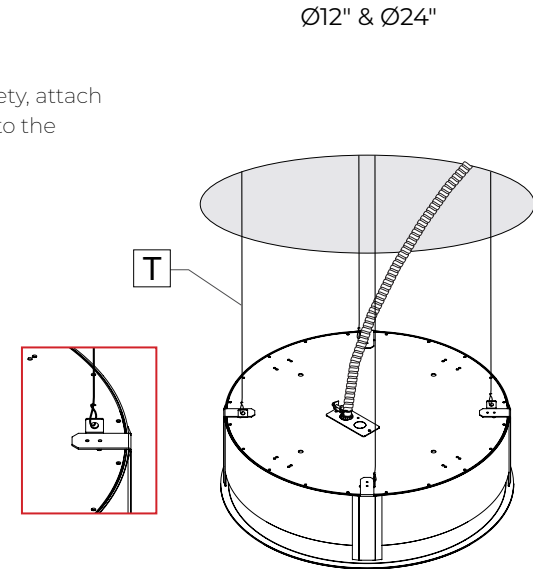
Push connected wires inside the fixture. Reinstall the power plate [G] onto the fixture and tighten the two screws.



### 5 SECURE FIXTURE.

Ø12", Ø24" ONLY

For additional safety, attach security wires [T] to the brackets.

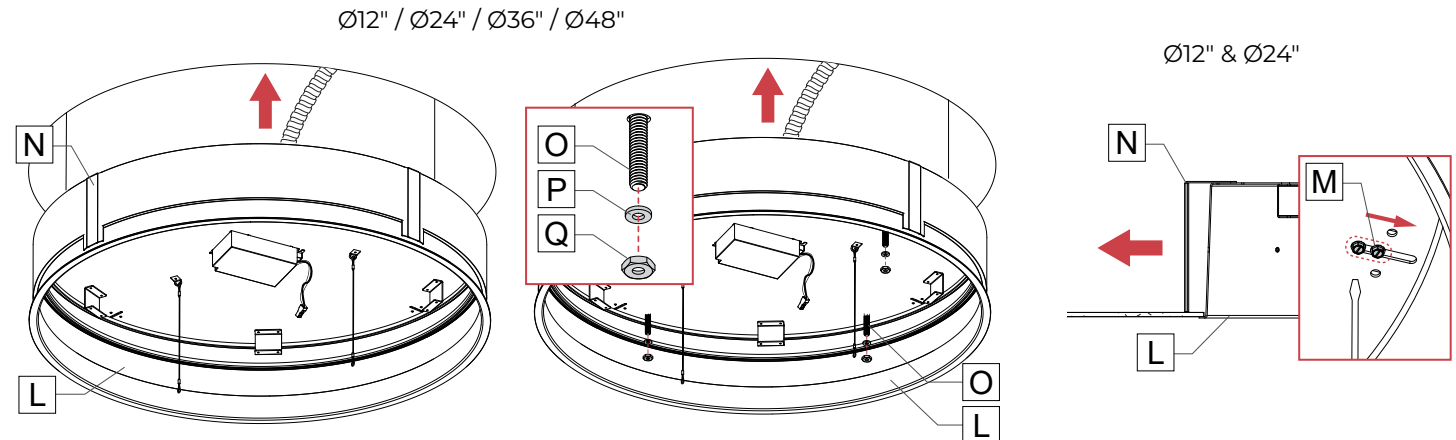


### 6 FIX THE HOUSING TO DRYWALL CEILING.

Insert the housing [L] into pre-cut hole in drywall, aligning threaded rods [O] (by others) with holes in the top of the housing [L]. Put washers [P] and tighten nuts [Q] to secure the housing [L].

**Additional step for Ø12", Ø24"**

Loosen the screws [M] on the mounting brackets [N] and push the mounting brackets [N] away from the housing. When brackets are fully extended, tighten the screws [M] back to secure the housing [L].

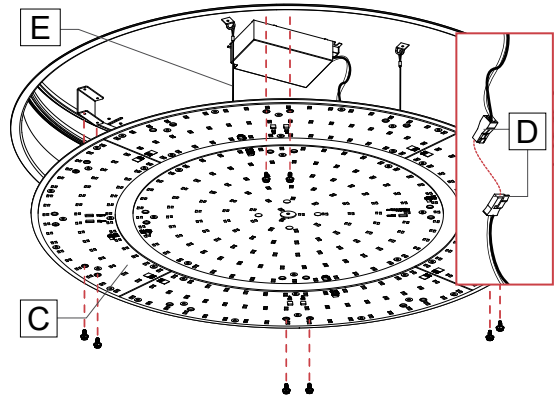


# POP RECESSED

## Regressed Round - Drywall - Trim

### 7 REINSTALL THE LED PLATE.

Attach the safety cables [E]. Make the wire connection between the driver and the LED plate [C] by connecting quick connectors [D]. Screw the LED plate [C] back in place.



### 8 REINSTALL THE LENS.

Insert and shift lens [A] back into fixture.

