



POP RECESSED SQUARE Grid Ceiling



 This product must be installed in accordance with the National Electrical Code and all applicable local codes, by a person familiar with the construction and operation of the product, and the hazards involved. Proper grounding is required for safety.

Ce produit doit être installé suivant le code national de l'électricité, ainsi que tous les codes locaux applicables, par une personne familière avec la construction et le fonctionnement du produit, ainsi que tous les risques qui y sont associés. La mise à terre électrique est obligatoire pour la sécurité.

 Wire dimming conductors as Class 1.

 For electrical connections, please refer to the [wiring diagram guide](#).

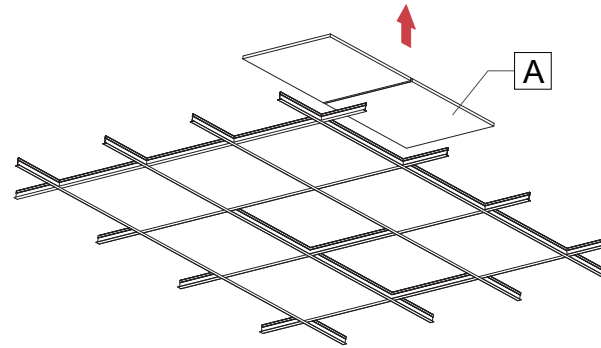


1' X 1'

1 PREPARE CEILING OPENING.

Caution: Make sure the electrical power is turned off.

Remove ceiling tiles **[A]** where the fixture will be installed and adjacent tiles for easy access during installation.

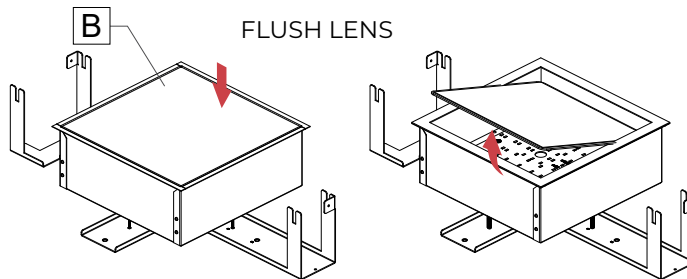


2 REMOVE LENS.

FLUSH LENS

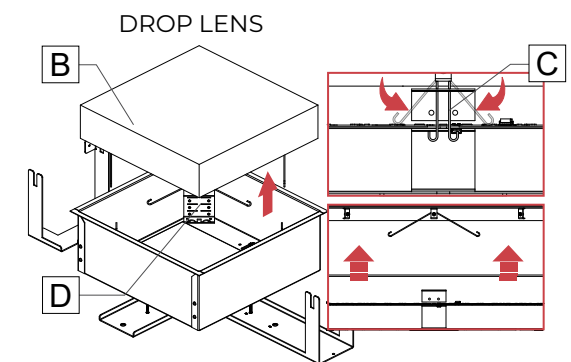
Push and shift the lens **[B]**.

Remove the lens carefully.



DROP LENS

Pull the lens **[B]** to get access to the springs **[C]**, squeeze the springs **[C]** to release them from the brackets **[D]**. Once all the springs **[C]** have been released, slowly remove the lens **[B]**.



POP RECESSED SQUARE Grid Ceiling



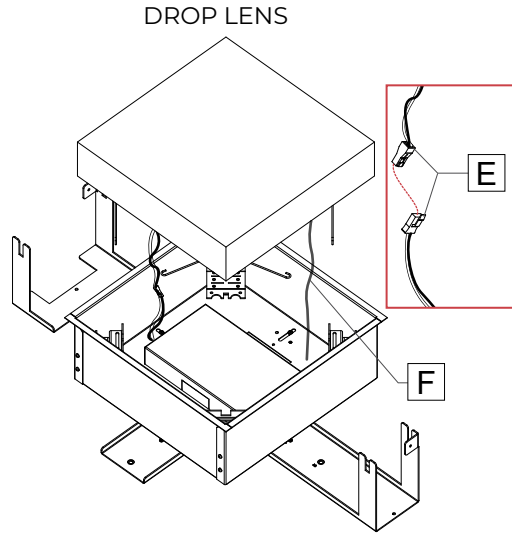
3 DISCONNECT QUICK CONNECTORS.

FLUSH LENS

Skip step 3 for a fixture with flush lens.

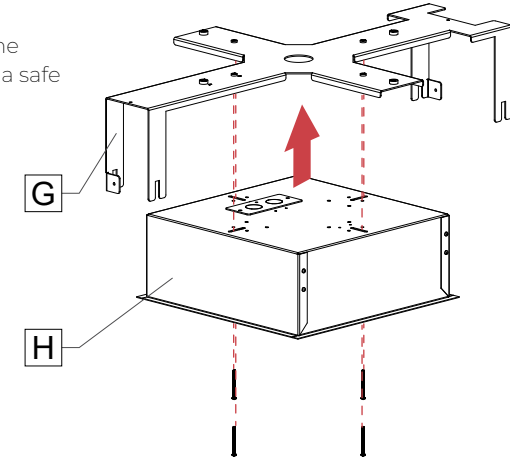
DROP LENS

Disconnect quick connectors [E] between the driver and the LED board. Remove the safety cable [F].



4 REMOVE MOUNTING BRACKET.

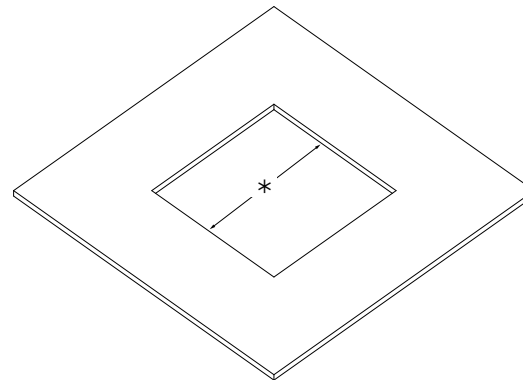
Unscrew and remove the mounting bracket [G] on the housing [H]. Place them in a safe place.



5 FIX HOUSING TO CEILING TILE.

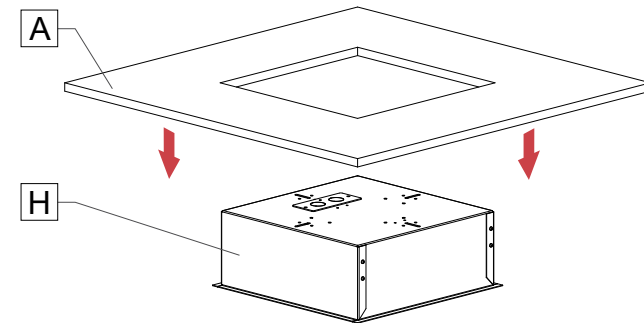
Cut the ceiling tile [A] according to the dimension [*] specified in the table below.

Place the cut ceiling tile [A] on the housing [H].



Cut-out dimensions

11 3/8" x 11 3/8"



POP RECESSED SQUARE Grid Ceiling



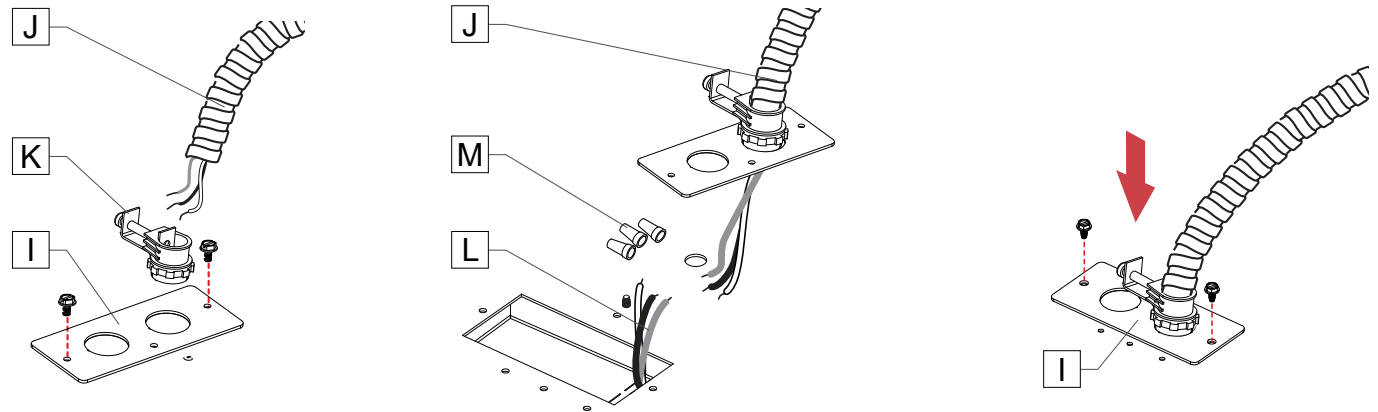
6 MAKE ELECTRICAL CONNECTIONS.

Remove the power plate [I] from the fixture. Pass the armored main power cable [J] (by others) through the cable connector [K] (by others), and install onto the power plate [I].

Warning: A luminaire with more than one power supply connection means shall be connected to only one branch circuit.

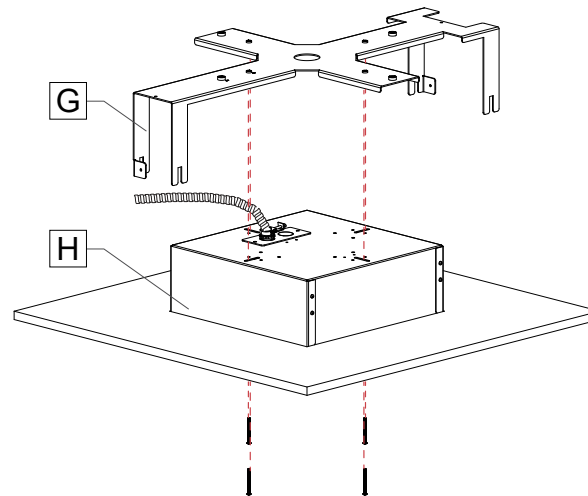
Make electrical connections between the armored main power cable [J] and fixture cable [L] using wire nuts [M] (by others).

Push connected wires inside the fixture. Reinstall the power plate [I] onto the fixture and tighten the two screws.



7 FIX BRACKET TO HOUSING.

Fasten the mounting bracket [G] to the housing [H] by using screws.

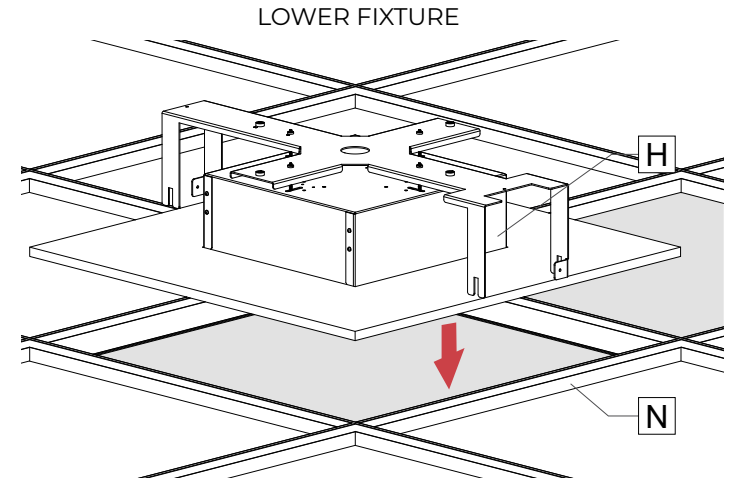
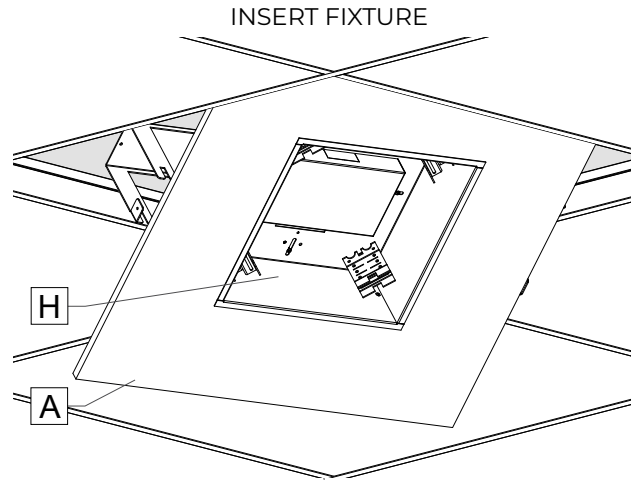


POP RECESSED SQUARE Grid Ceiling



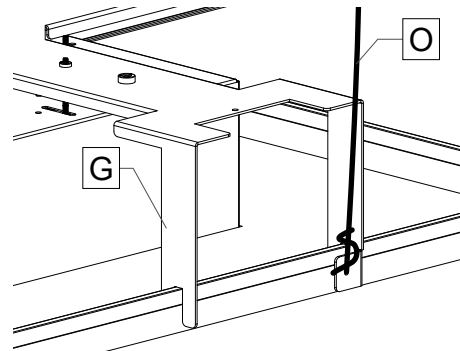
8 INSTALL FIXTURE ON T-BAR GRID.

Insert the fixture [H] attached to the ceiling tile [A] above the ceiling grid. Then lower onto the T-bar grid [N].



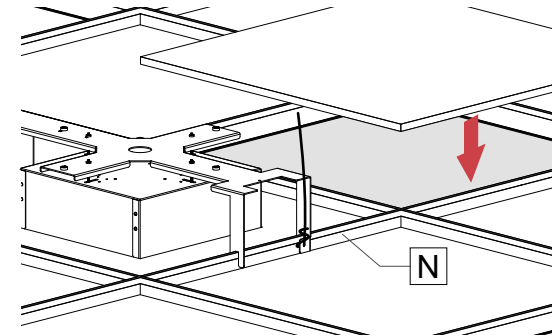
9 SECURE FIXTURE.

Attach safety wires [O] to the mounting bracket [G].



10 REINSTALL ADJACENT TILES.

Reinstall the adjacent tiles on the T-bar grid [N].



POP RECESSED SQUARE Grid Ceiling

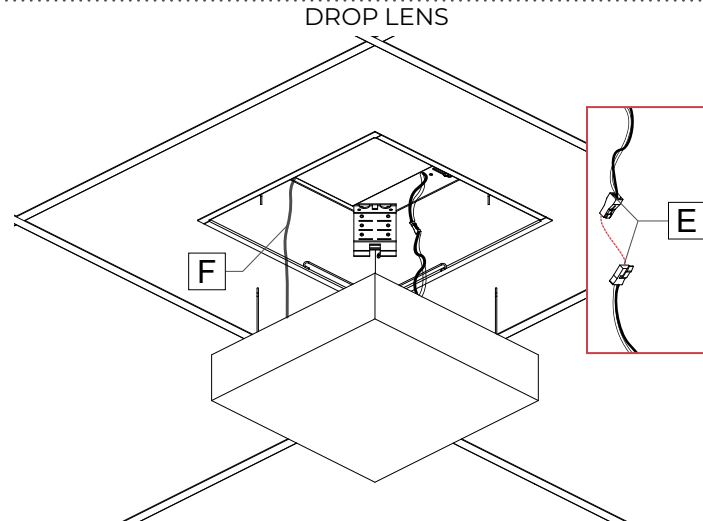
11 REINSTALL QUICK CONNECTORS.

FLUSH LENS

Skip step 11 for a fixture with flush lens.

DROP LENS

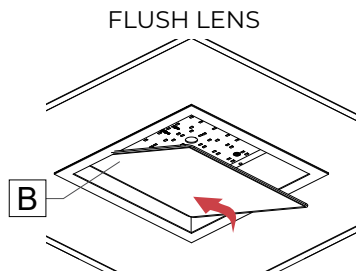
Attach the safety cable [F].
Make the wire connections between the driver and the LED board by using quick connectors [E].



12 REINSTALL LENS.

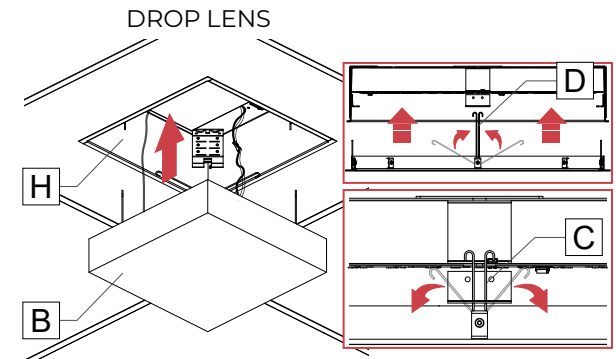
FLUSH LENS

Insert and shift lens [B]
back into fixture.



DROP LENS

Squeeze the springs [C],
align and insert into the
brackets [D] that are inside
the housing. Once all the
springs [C] are properly
installed, slowly push the
lens [B] in the housing [H]
as far as the brackets [D]
allow.



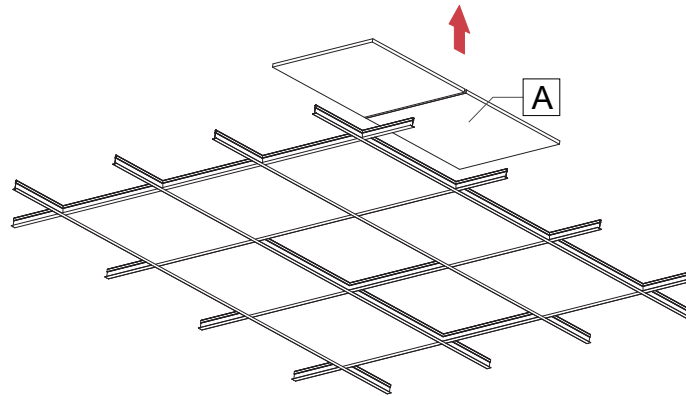
POP RECESSED SQUARE Grid Ceiling

2' X 2' and 4' X 4'

1 PREPARE CEILING OPENING.

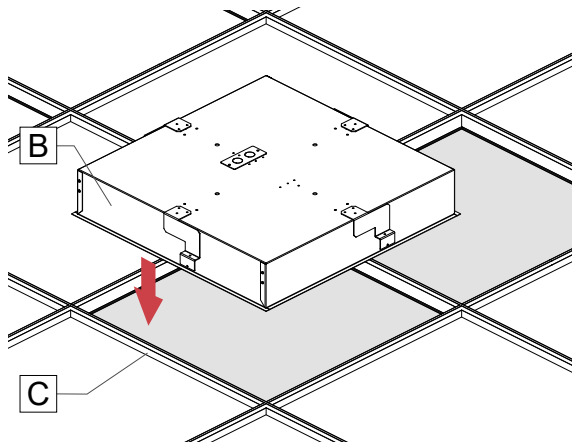
Caution: Make sure the electrical power is turned off.

Remove ceiling tiles [A] where the fixture will be installed and adjacent tiles for easy access during installation.



2 INSTALL FIXTURE ON T-BAR GRID.

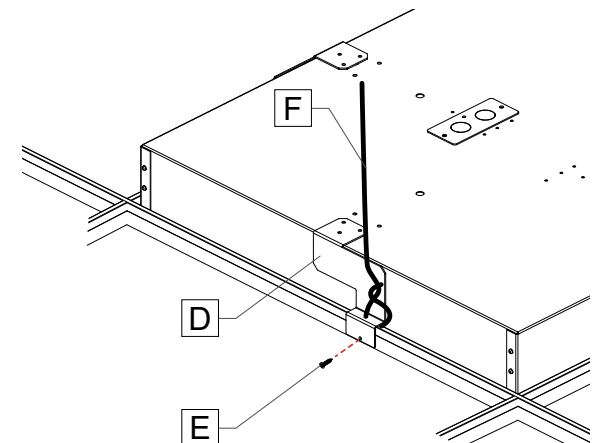
Insert the fixture [B], then lower onto the T-bar grid [C].



3 SECURE FIXTURE.

Secure the mounting brackets [D] to the T-bars with screws [E] (by others).

Attach safety wires [F] to the mounting brackets [D].



POP RECESSED SQUARE Grid Ceiling

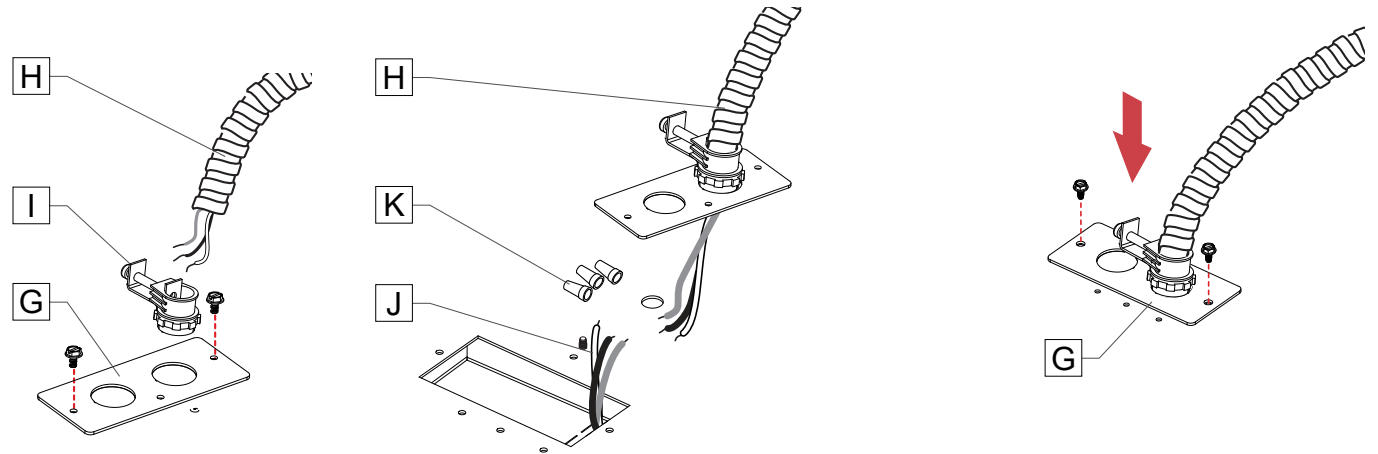
4 MAKE ELECTRICAL CONNECTIONS.

Remove the power plate [G] from the fixture.
Pass the armored main power cable [H] (by others) through the cable connector [I] (by others), and install onto the power plate [G].

Warning: A luminaire with more than one power supply connection means shall be connected to only one branch circuit.

Make electrical connections between the armored main power cable [H] and fixture cable [J] using wire nuts [K] (by others).

Push connected wires inside the fixture.
Reinstall the power plate [G] onto the fixture and tighten the two screws.



5 REINSTALL ADJACENT TILES.

Reinstall the adjacent tiles on the T-bar grid [C].

