

POP COLOR ROUND 36



Lumenwerx

PENDANT DIRECT/INDIRECT
CHROMAWERX - SOLA AND DUO



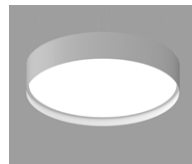
Project: _____
Type: _____



See page 7 for more color options

DESCRIPTION

POP Color features a painted housing with a uniformly luminous diffuser that sits flush, regressed or drops up to 4" below. POP Color delivers up to 119 LPW and is available in nine standard housing colors. POP Color is an ideal vehicle for Chromawerx white tuning in education, office, and healthcare applications where modular luminaires are used.



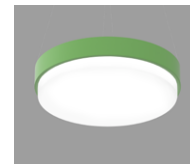
Flush lens



2" regressed lens



1" drop lens



2" drop lens



3" drop lens

4" drop lens

Order Guide

Up to 119 lm/W performance

LUMINAIRE ID	DISTRIBUTION ¹	SIZE	OPTIC	LENS POSITION	LIGHT SOURCE ²	CRI	DIRECT LUMEN PACKAGE
	DI	36IN	ULO				
PCROP - Pop Color Round Pendant PCRORGP - Pop Color Round Regressed Lens Pendant	DI - Direct/Indirect ¹ The lens on the indirect side is clear.	36IN - Ø 36"	ULO - Uniform Lambertian Optic	PCROP FH - Flush 1D - 1" drop 2D - 2" drop 3D - 3" drop 4D - 4" drop PCRORGP 2R - 2" regressed	SOLA - Dim-to-warm single channel control 35K to 22K DUO - Tunable white 2-channel control 65K to 27K ² Static white also available. Consult other spec sheet.	80 - 80 CRI 90 - 90 CRI	4000 - Min. low output 4000lm 5500 - Medium output 5500lm 8000 - Max. high output 8000lm #### - Other required lm
INDIRECT LUMEN PACKAGE	VOLTAGE	DRIVER ³	ELECTRICAL		MOUNTING		
			1		5WAC36		
2500 - Min. low output 2500lm 3500 - Medium output 3500lm 4500 - Max. high output 4500lm #### - Other required lm	120 - 120V 277 - 277V UNV - 120V-277V	<u>SOLA</u> SD1 - Single 0-10V input <u>DUO</u> DMX ⁴ - DMX, to specify see pages 9 to 14 DA ⁴ - DALI DD1 - Dual 0-10V input for CCT/intensity LD2 ⁴ - Lutron DALI-2 digital ³ PoE (Power-over-Ethernet) compatible. Consult factory for details. ⁴ On-site commissioning is required.	1 - 1 circuit		5WAC36 - Power 5" white canopy (36" aircraft cable) For all other options refer to our Pendant Mounting Guide		

POWER CORD COLOR	FINISH	OPTIONS
BPC - Black power cord WPC - White power cord	W - Matte white AL - Aluminum B - Matte black RAL 1028 - Yellow RAL 2004 - Orange RAL 3020 - Red RAL 4010 - Magenta RAL 5002 - Blue RAL 6018 - Green CF# - Custom finish specify RAL#	FU120 - Fuse 120V FU277 - Fuse 277V NA - None

Accessories

Optional, order separately

DMX WALL CONTROLLER ⁵

WCW - Wall controller white
WBW - Wall controller black

⁵Available with DMX only. For more information, see pages 9 to 14, or consult factory.

POP COLOR ROUND 36

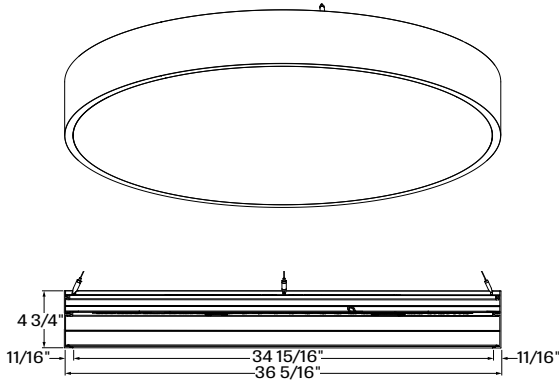


Lumenwerx

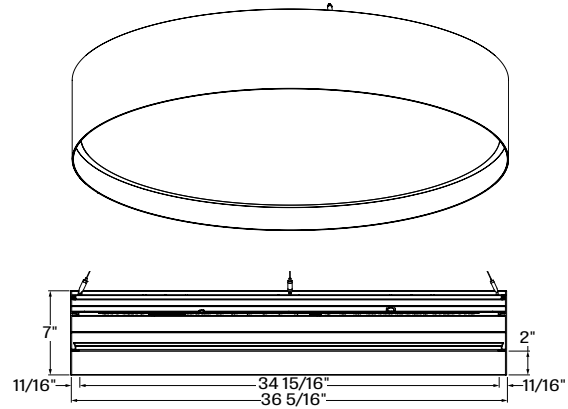
PENDANT DIRECT/INDIRECT
CHROMAWERX - SOLA AND DUO

Dimensions

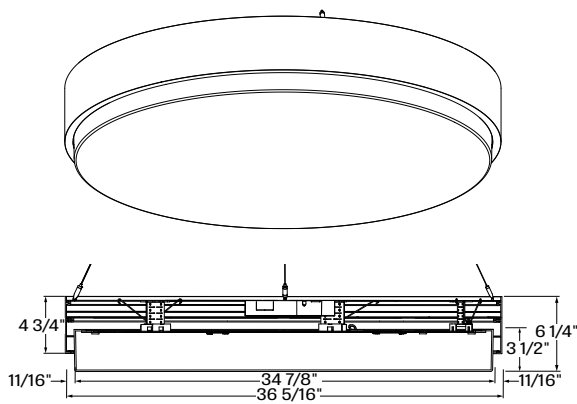
POP COLOR FH - FLUSH



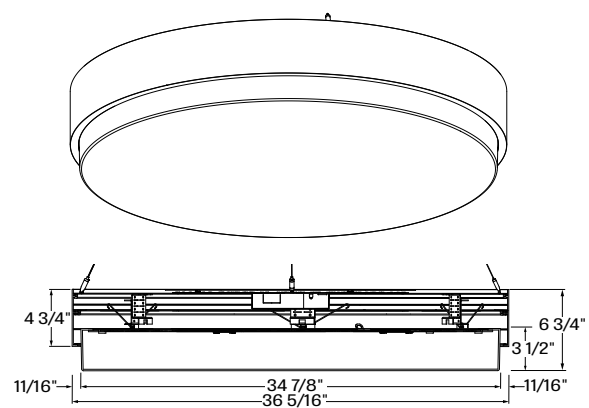
POP COLOR 2R - 2" REGRESSED



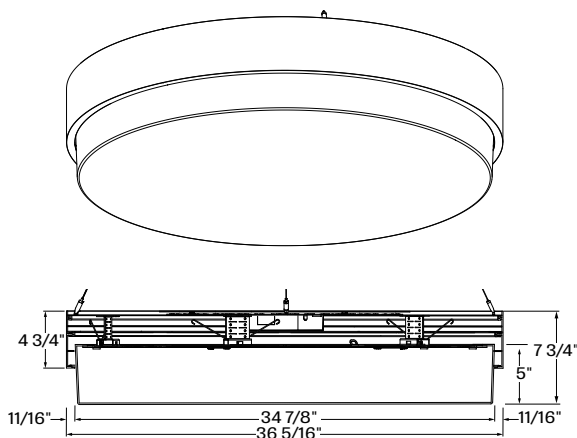
POP COLOR 1D - 1" DROP



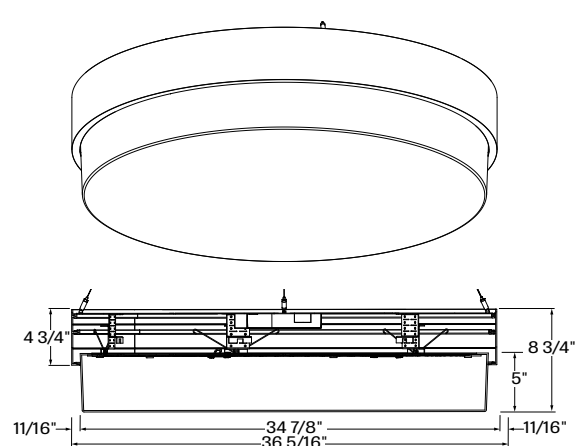
POP COLOR 2D - 2" DROP



POP COLOR 3D - 3" DROP



POP COLOR 4D - 4" DROP



POP COLOR ROUND 36

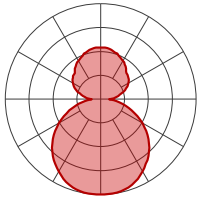


PENDANT DIRECT/INDIRECT
CHROMAWERX - SOLA AND DUO

Photometrics

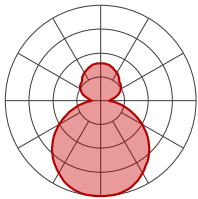
Performance at Indirect 2500 Lumen

4000 LUMEN AT 80 CRI - LOW OUTPUT



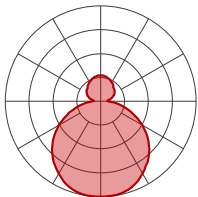
LED OUTPUT	COLOR TEMP	WATTS	DIR. LUMENS	IND. LUMENS	TOTAL NOMINAL DELIVERED LUMENS	EFFICACY LPW
Low output	2700K	59	4000	2500	6500	110
Low output	3000K	58	4000	2500	6500	112
Low output	3500K	56	4000	2500	6500	116
Low output	4000K	54.5	4000	2500	6500	119
Low output	5000K	52.5	4000	2500	6500	124
Low output	6500K	52.5	4000	2500	6500	124

5500 LUMEN AT 80 CRI - MEDIUM OUTPUT



LED OUTPUT	COLOR TEMP	WATTS	DIR. LUMENS	IND. LUMENS	TOTAL NOMINAL DELIVERED LUMENS	EFFICACY LPW
Medium output	2700K	75	5500	2500	8000	107
Medium output	3000K	72.5	5500	2500	8000	110
Medium output	3500K	71	5500	2500	8000	113
Medium output	4000K	68.5	5500	2500	8000	117
Medium output	5000K	65.5	5500	2500	8000	122
Medium output	6500K	66	5500	2500	8000	121

8000 LUMEN AT 80 CRI - HIGH OUTPUT



LED OUTPUT	COLOR TEMP	WATTS	DIR. LUMENS	IND. LUMENS	TOTAL NOMINAL DELIVERED LUMENS	EFFICACY LPW
High output	2700K	103	8000	2500	10500	102
High output	3000K	101	8000	2500	10500	104
High output	3500K	98	8000	2500	10500	107
High output	4000K	94.5	8000	2500	10500	111
High output	5000K	91.5	8000	2500	10500	115
High output	6500K	91.5	8000	2500	10500	115

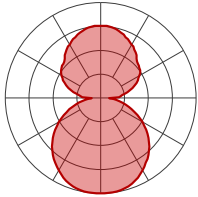
POP COLOR ROUND 36



PENDANT DIRECT/INDIRECT CHROMAWERX - SOLA AND DUO

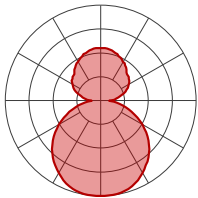
Performance at Indirect 3500 Lumen

4000 LUMEN AT 80 CRI - LOW OUTPUT



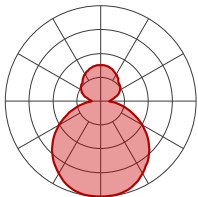
LED OUTPUT	COLOR TEMP	WATTS	DIR. LUMENS	IND. LUMENS	TOTAL NOMINAL DELIVERED LUMENS	EFFICACY LPW
Low output	2700K	69.5	4000	3500	7500	108
Low output	3000K	68	4000	3500	7500	110
Low output	3500K	66	4000	3500	7500	114
Low output	4000K	63.5	4000	3500	7500	118
Low output	5000K	61.5	4000	3500	7500	122
Low output	6500K	61.5	4000	3500	7500	122

5500 LUMEN AT 80 CRI - MEDIUM OUTPUT



LED OUTPUT	COLOR TEMP	WATTS	DIR. LUMENS	IND. LUMENS	TOTAL NOMINAL DELIVERED LUMENS	EFFICACY LPW
Medium output	2700K	85	5500	3500	9000	106
Medium output	3000K	83.5	5500	3500	9000	108
Medium output	3500K	80.5	5500	3500	9000	112
Medium output	4000K	77.5	5500	3500	9000	116
Medium output	5000K	75	5500	3500	9000	120
Medium output	6500K	75	5500	3500	9000	120

8000 LUMEN AT 80 CRI - HIGH OUTPUT



LED OUTPUT	COLOR TEMP	WATTS	DIR. LUMENS	IND. LUMENS	TOTAL NOMINAL DELIVERED LUMENS	EFFICACY LPW
High output	2700K	112.5	8000	3500	11500	102
High output	3000K	110.5	8000	3500	11500	104
High output	3500K	107.5	8000	3500	11500	107
High output	4000K	103.5	8000	3500	11500	111
High output	5000K	100	8000	3500	11500	115
High output	6500K	100	8000	3500	11500	115

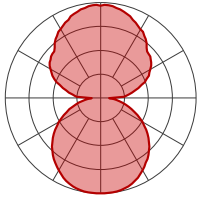
POP COLOR ROUND 36



PENDANT DIRECT/INDIRECT CHROMAWERX - SOLA AND DUO

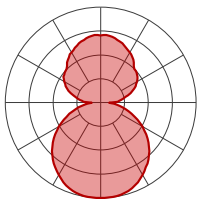
Performance at Indirect 4500 Lumen

4000 LUMEN AT 80 CRI - LOW OUTPUT



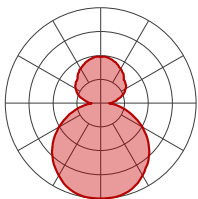
LED OUTPUT	COLOR TEMP	WATTS	DIR. LUMENS	IND. LUMENS	TOTAL NOMINAL DELIVERED LUMENS	EFFICACY LPW
Low output	2700K	79.5	4000	4500	8500	107
Low output	3000K	78	4000	4500	8500	109
Low output	3500K	75	4000	4500	8500	113
Low output	4000K	73.5	4000	4500	8500	116
Low output	5000K	70	4000	4500	8500	121
Low output	6500K	70	4000	4500	8500	121

5500 LUMEN AT 80 CRI - MEDIUM OUTPUT



LED OUTPUT	COLOR TEMP	WATTS	DIR. LUMENS	IND. LUMENS	TOTAL NOMINAL DELIVERED LUMENS	EFFICACY LPW
Medium output	2700K	95	5500	4500	10000	105
Medium output	3000K	92.5	5500	4500	10000	108
Medium output	3500K	90	5500	4500	10000	111
Medium output	4000K	87	5500	4500	10000	115
Medium output	5000K	84	5500	4500	10000	119
Medium output	6500K	84	5500	4500	10000	119

8000 LUMEN AT 80 CRI - HIGH OUTPUT



LED OUTPUT	COLOR TEMP	WATTS	DIR. LUMENS	IND. LUMENS	TOTAL NOMINAL DELIVERED LUMENS	EFFICACY LPW
High output	2700K	124	8000	4500	12500	101
High output	3000K	121.5	8000	4500	12500	103
High output	3500K	117	8000	4500	12500	107
High output	4000K	113.5	8000	4500	12500	110
High output	5000K	108.5	8000	4500	12500	115
High output	6500K	108.5	8000	4500	12500	115



PENDANT DIRECT/INDIRECT
CHROMAWERX - SOLA AND DUO

Technical Specifications

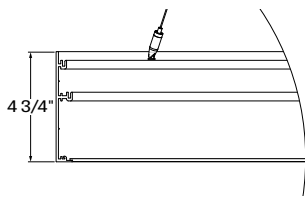
OPTIC

Uniform Efficiency Lambertian Optic (ULO)

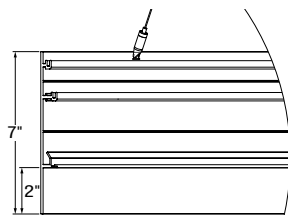
Made of formed impact modified white PMMA, the optic provides an even light distribution with up to 88% transmission. Its unique enclosed shell design protects LEDs against Electrostatic Discharge and dust while its back surface project a soft glow on the mounting surface.

LENS POSITION

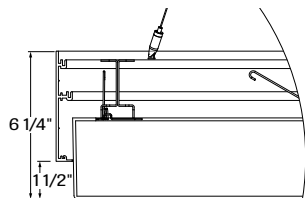
Pop Color Round 36 pendant is available in 6 lens configurations.



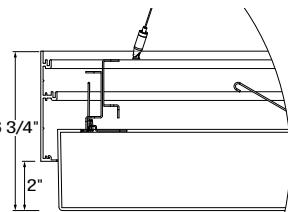
PCROP + FH - Flush lens



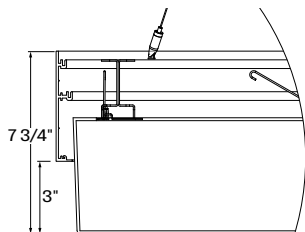
PCRORGP + 2R - 2" regressed lens



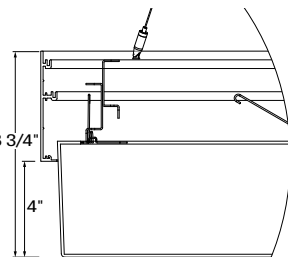
PCROP + 1D - 1" drop lens



PCROP + 2D - 2" drop lens



PCROP + 3D - 3" drop lens



PCROP + 4D - 4" drop lens

LIGHT SOURCE

Custom array of alternating color temperature mid-flux LED's are mounted directly to the housing for optimal thermal performance. For the Duo products, a color temperature range from 6500K-2700K is achievable with color points on or below the black body curve. For the Sola products, a color temperature range from 3500K-2200K is controlled synchronously with intensity. Color consistency between fixtures is maintained to within 3SDCM. LEDs are operated at reduced drive current to optimize efficacy and lumen maintenance. All LED's have been tested in accordance with IESNA LM-80-08 and the results have shown L80 lumen maintenance greater than 60,000 hours. Absolute product photometry is measured and presented in accordance with IESNA LM-79, unless otherwise indicated.

CHROMAWERX - TUNABLE WHITE

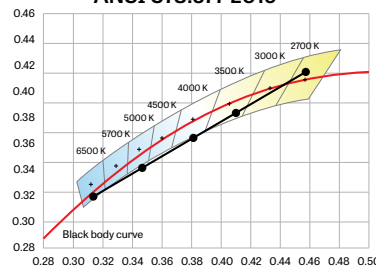
Chromawerx Sola

It is a single-channel control that dims output while warming the color temperature in a pre-determined relationship. A simple analog control sends a common signal to dual output digital drivers, which are programmed to adjust a specially populated LED array to emulate the effect of dimming a filament source. Dimming range is programmable but the default option runs from 3500K at 100% of full power to 2200K at 5% of full power. CRI is maintained above 80 throughout the dimming range.

Chromawerx Duo

It is a two-channel control. It uses an analog (0-10V) protocol for separate control of luminaire CCT and intensity or a digital (DMX, DALI and LD2) protocol for synchronous control of both warm and cool LED arrays to enable the user to set color temperature and light output. Commonly called "tunable white", Chromawerx two-channel control provides the range of cool (6500K) to warm (2700K) color that can be useful for helping to entrain circadian rhythms, stimulate alertness for improved educational and work productivity, and compensate for jet lag, among other applications. The Chromawerx drivers are programmed to limit maximum light output and power usage across all color temperatures. CRI is maintained above 80.

ANSI C78.377-2015



POP COLOR ROUND 36



Lumenwerx

PENDANT DIRECT/INDIRECT CHROMAWERX - SOLA AND DUO

ELECTRICAL

SOLA

SD1

Factory-set, adjustable output current LED driver with universal (120-277VAC) input. Using a single 0-10V control signal, the light output warms in color temperature as it dims down to 1% and 2200K. At maximum driver load, efficiency<86%, PF>0.9, THD<20%.

DUO

DMX

Factory-set adjustable output current electronic driver with 120-277V AC line input. Using DMX wall controls (optionally supplied by Lumenwerx) or an existing DMX control system, both channels of LEDs are independently adjustable. Each DMX driver can be independently addressed using the built-in RDM (Remote Device Management) in the field. Dimming down to 1% is attainable. Rated life (90% survivorship) of 50,000 hours at 50°C maximum ambient temperature. At maximum driver load, efficiency<84%, PF>0.9, THD<20%.

DALI

Factory-set adjustable output current electronic driver with 120-277V AC line input. Using an existing DALI control system (supplied by others), one control channel adjusts the fixture color temperature, and the other control channel adjusts fixture brightness. Dimming down to 1% is attainable. Rated life (90% survivorship) of 50,000 hours at 50°C maximum ambient temperature. At maximum driver load, efficiency<84%, PF>0.9, THD<20%.

DD1

Factory-set adjustable output current LED driver with universal (120-277VAC) input. Controlled via two individual 0-10V signals, one for setting light output down to a minimum of 1% and the other for adjusting the CCT (default range of 6500K-2700K). Rated life of 50,000 hours at 70°C maximum driver case temperature and 100% load conditions. Typical efficiency of 86%, PF>0.9, THD<20% at 100% load conditions.

LD2

Lutron DALI-2 digital drivers provide a high-performance tunable white solution with single-address digital control. Guaranteed performance and compatibility when used with Lutron DALI-2 controls.

PoE

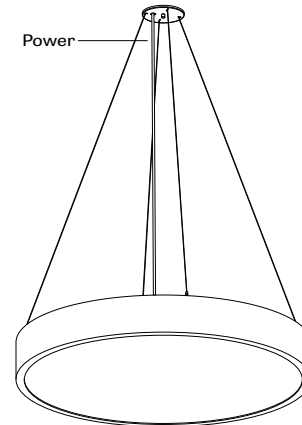
Depending on the PoE manufacturer selected, Lumenwerx will install the node in factory as either integral to the luminaire, or as a remote module. Factory programming of the PoE node may or may not enable the following functionalities: lumen package, Duo (tunable white), emergency battery backup, and sensor integration. These must be addressed and evaluated on a case-by-case basis.

MOUNTING OPTION

Fixtures are pendant-mounted, using aircraft cables. Unless otherwise specified, Lumenwerx provides the following hardware:

For cable-mounted fixtures - 5WAC36, 5" white canopy with a 36" cable.

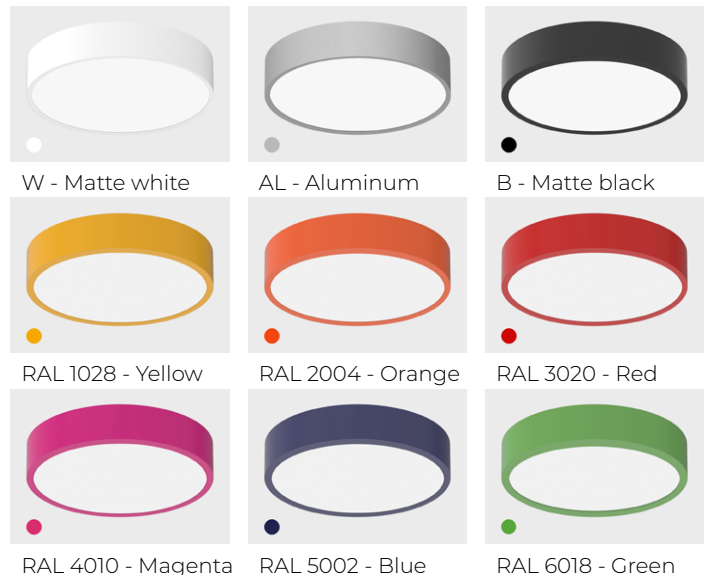
[For all other options, see our website for a detailed Pendant Mounting Guide](#)



FINISH

Interior - 95%, reflective, matte white powder coating

Exterior - Side trim is offered in a range of vibrant color powder coating.



POP COLOR ROUND 36



Lumenwerx

PENDANT DIRECT/INDIRECT
CHROMAWERX - SOLA AND DUO

CONSTRUCTION

Housing - Rolled and seamlessly welded aluminum extrusion
.125in thick, wide variety of colored powder coating

WEIGHT

RD 36 Flush, 1D, 2D - 33.23lbs - 15.09kg

RD 36 2R, 3D, 4D - 34.63lbs - 15.73kg

CERTIFICATION

ETL - Rated for Indoor Dry/Damp locations. Conforms to UL Standard 1598 and certified to CAN/CSA Standard C22.2 No. 250.0.

WARRANTY

Lumenwerx provides a five-year limited warranty of electrical and mechanical performance of the luminaires, including the LED boards, drivers, and auxiliary electronics. Lumenwerx will repair or replace defective luminaires or components at our discretion, provided they have been installed and operated in accordance with our specifications. Other limitations apply, please refer to the full warranty on our website.

Wall controllers are covered by the manufacturer warranty.



PENDANT DIRECT/INDIRECT
CHROMAWERX - SOLA AND DUO

DUO DMX SPECIFICATION

A qualified DMX integrator is required to assure proper installation and commissioning of the DMX network. **When placing the PO, please provide the contact information of your DMX integrator.**

Please answer the following questions to help us identify your DMX network requirements.

YES

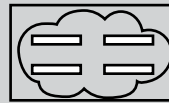
Do you require a wall controller provided by Lumenwerx?

NO

DMX control system supplied by others. Lumenwerx will supply DMX-enabled fixtures with default DMX addressing. See following pages for technical DMX informations.

DMX controller supplied by Lumenwerx

How many zones do you have?
A zone consists of one or more luminaires behaving identically.

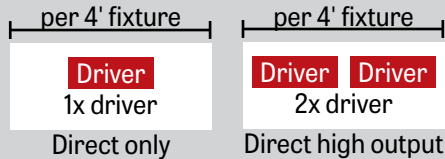


1 Zone



2 Zones

How to calculate the required number of drivers:



To Calculate # of drivers

1 - 4 Zones

5 or more Zones

Do you have more than 32 drivers in total?

NO

YES

Order a standard Lumenwerx wall controller.

WALL CONTROLLER

WCW - wall controller white
WCB - wall controller black

Add the control code at the end of your order code.

Please provide a fixture layout or RCP (Reflected Ceiling Plan) showing the locations of the DMX fixtures, zones and the DMX wall controller.

Refer to your DMX integrator for the installation.

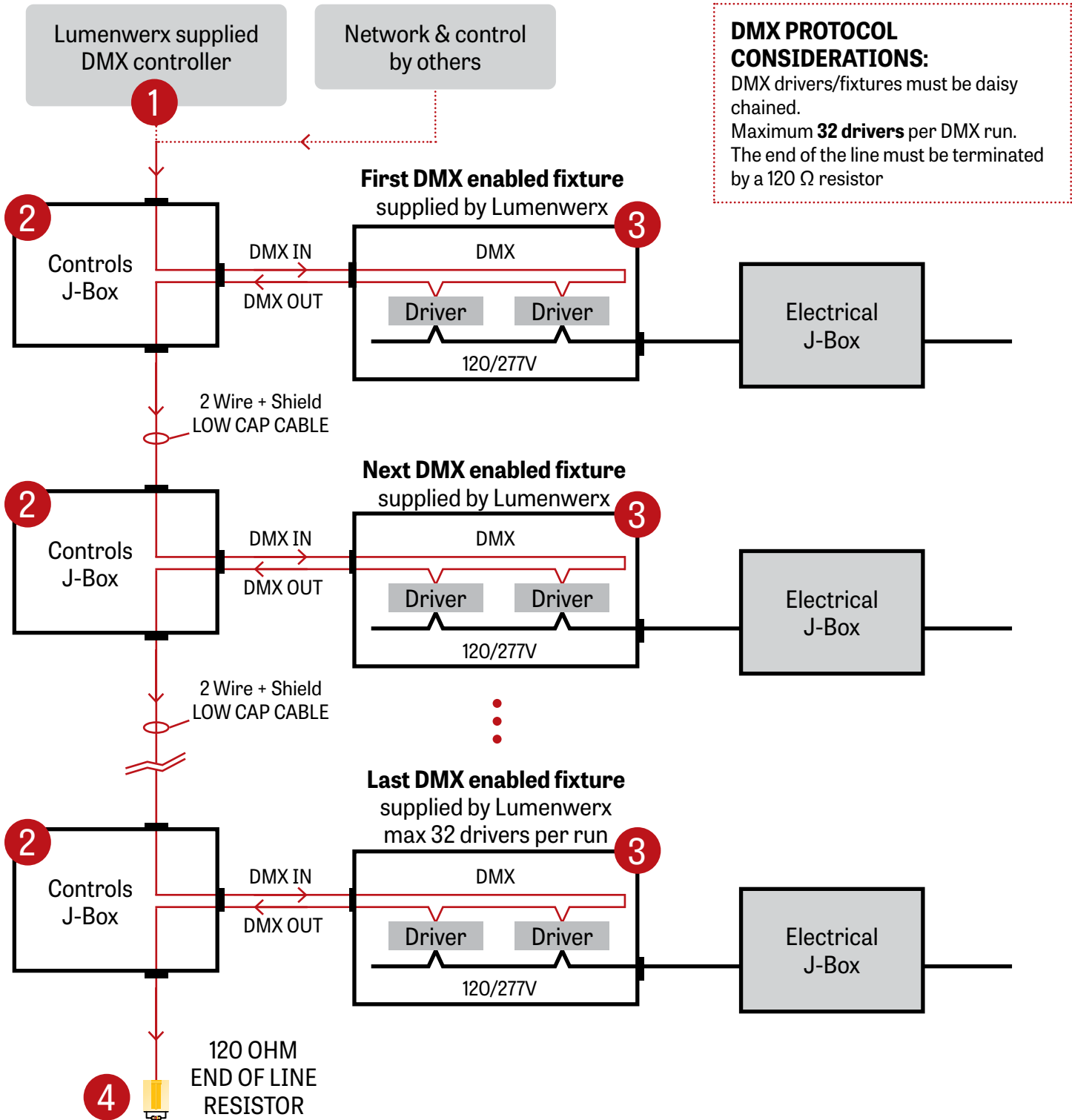
Subject to factory evaluation. Please contact our controls specialist at controls@lumenwerx.com. Additional cost and equipment will be required.

Subject to factory evaluation and approval. Please contact our controls specialist at controls@lumenwerx.com. Additional cost and equipment will be required.



PENDANT DIRECT/INDIRECT
CHROMAWERX - SOLA AND DUO

GENERIC DMX NETWORK ARCHITECTURE



POP COLOR ROUND 36



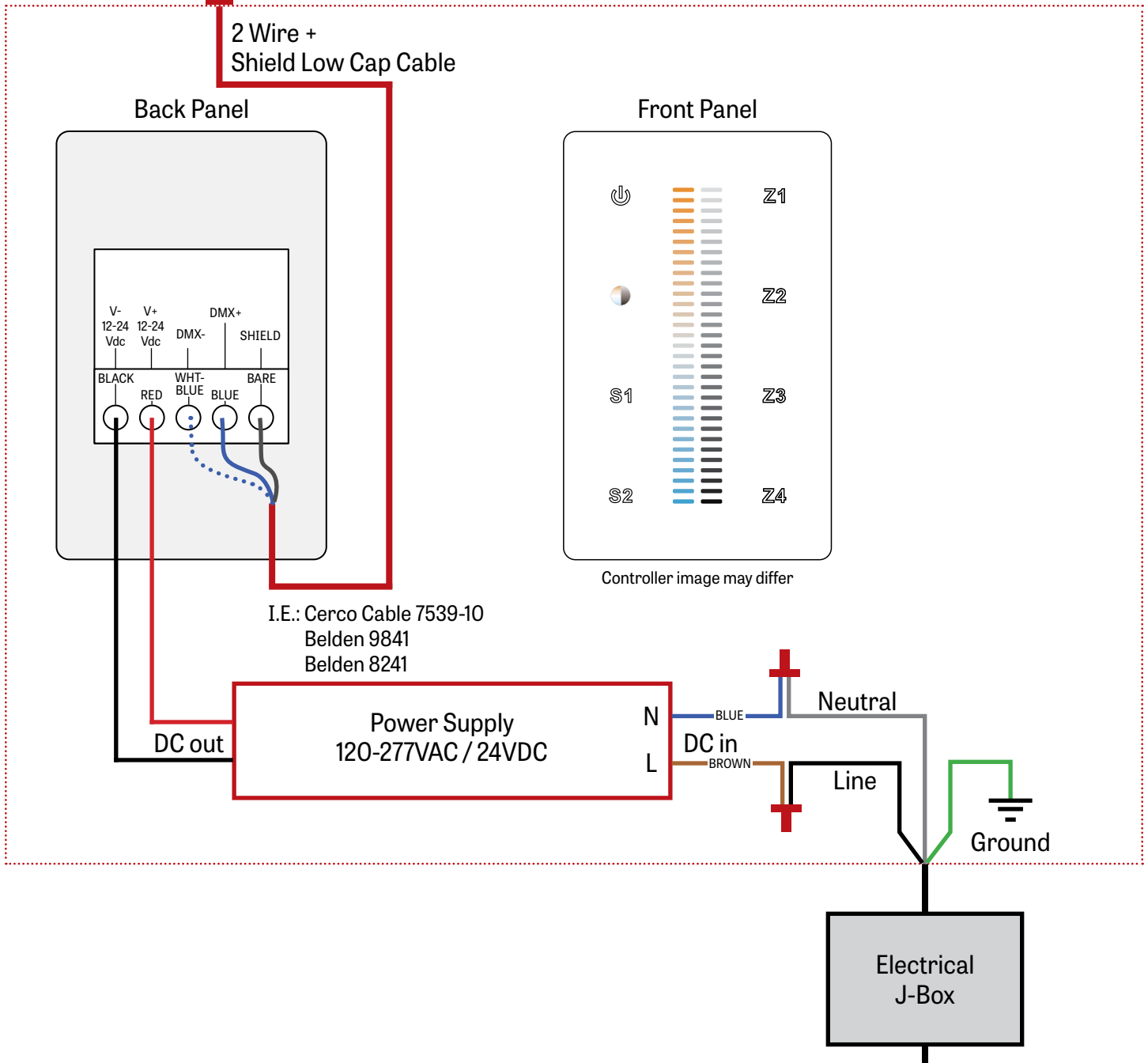
Lumenwerx

PENDANT DIRECT/INDIRECT
CHROMAWERX - SOLA AND DUO

1 LUMENWERX SUPPLIED DMX CONTROLLER

To the first fixture

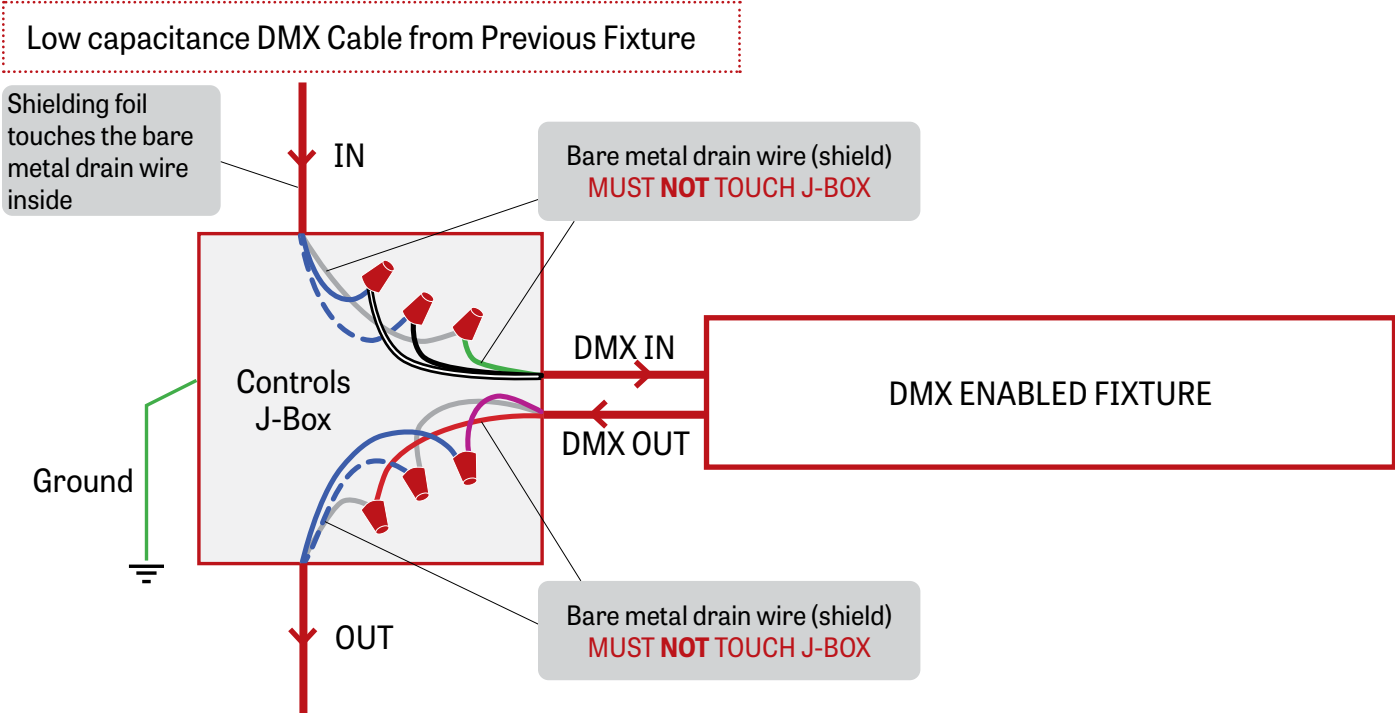
WALL BOX SUPPLIED BY OTHERS





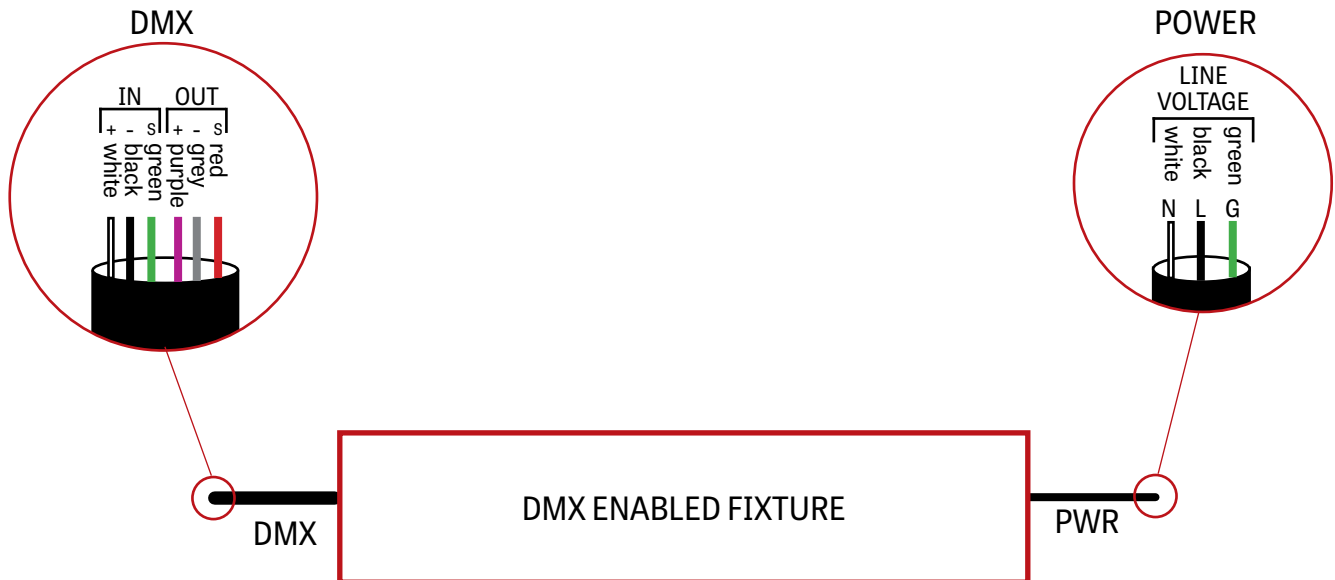
PENDANT DIRECT/INDIRECT
CHROMAWERX - SOLA AND DUO

2 J-BOX DMX DAISY CHAIN DETAIL



Low capacitance DMX cable to next fixture

3 DMX CONNECTION PENDANT & WALL



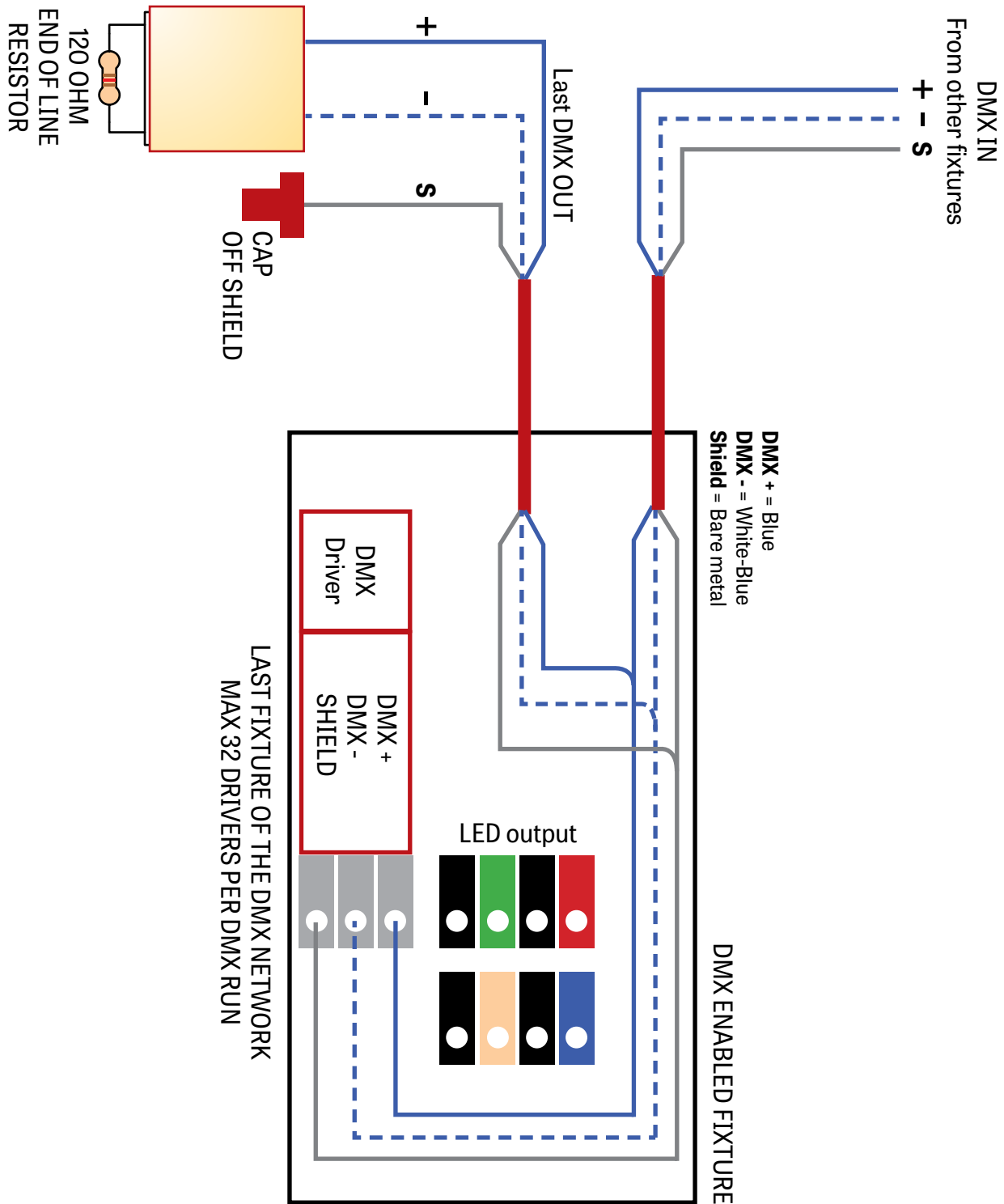
POP COLOR ROUND 36



Lumenwerx

PENDANT DIRECT/INDIRECT
CHROMAWERX - SOLA AND DUO

4 DMX LAST FIXTURE DETAIL

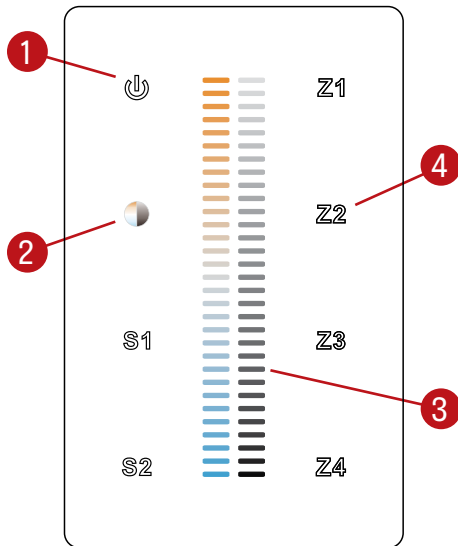




PENDANT DIRECT/INDIRECT
CHROMAWERX - SOLA AND DUO

DMX WALL CONTROLLER

DUO 1-4 ZONE



- (1) Power: Use this button to turn ON or OFF the fixture.
- (2) Brightness/CCT: Use the color/brightness toggle button to choose between color/brightness. When Blue: brightness is selected, when Yellow: color is selected.
- (3) Slider: Depending on the mode chosen in step 2, the slider will allow the user to set desired color or brightness.
- (4) Zone select: Up to 4 zones can be selected either independently or together. Once selected, the commands will be sent to the zone identified by a Blue LED.

Default DMX Addresses:

- 1 Warm
- 2 Cool