

# POP COLOR ROUND 36



**Lumenwerx**

PENDANT DIRECT  
CHROMAWERX - SOLA AND DUO



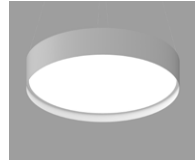
Project: \_\_\_\_\_  
Type: \_\_\_\_\_



See page 5 for more color options

## DESCRIPTION

POP Color features a painted housing with a uniformly luminous diffuser that sits flush, regressed or drops up to 4" below. POP Color delivers up to 112 LPW and is available in nine standard housing colors. POP Color is an ideal vehicle for Chromawerx white tuning in education, office, and healthcare applications where modular luminaires are used.



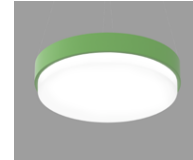
2" regressed lens



1" drop lens



2" drop lens



3" drop lens



4" drop lens

## Order Guide

Up to 112 lm/W performance

LUMINAIRE ID	DISTRIBUTION	SIZE	OPTIC	LENS POSITION	LIGHT SOURCE <sup>1</sup>	CRI	DIRECT LUMEN PACKAGE
	<b>D</b>	<b>36IN</b>	<b>ULO</b>				
<b>PCROP</b> - Pop Color Round Pendant <b>PCRORGP</b> - Pop Color Round Regressed Lens Pendant	<b>D</b> - Direct	<b>36IN</b> - Ø 36"	<b>ULO</b> - Uniform Lambertian Optic	<b>PCROP</b> <b>FH</b> - Flush <b>1D</b> - 1" drop <b>2D</b> - 2" drop <b>3D</b> - 3" drop <b>4D</b> - 4" drop  <b>PCRORGP</b> <b>2R</b> - 2" regressed	<b>SOLA</b> - Dim-to-warm single channel control 35K to 22K <b>DUO</b> - Tunable white 2-channel control 65K to 27K  <sup>1</sup> Static white also available. Consult other spec sheet.	<b>80</b> - 80 CRI <b>90</b> - 90 CRI	<b>4000</b> - Min. low output 4000lm <b>5500</b> - Medium output 5500lm <b>8000</b> - Max. high output 8000lm <b>####</b> - Other required lm
INDIRECT LUMEN PACKAGE	VOLTAGE	DRIVER <sup>2</sup>	ELECTRICAL	MOUNTING			
<b>NA</b>			<b>1</b>	<b>5WAC36</b>			
<b>NA</b> - Not applicable	<b>120</b> - 120V <b>277</b> - 277V <b>UNV</b> - 120V-277V	<b>SOLA</b> <b>SD1</b> - Single 0-10V input <b>DUO</b> <b>DMX</b> <sup>3</sup> - DMX, to specify see pages 7 to 12 <b>DA</b> <sup>3</sup> - DALI <b>DD1</b> - Dual 0-10V input for CCT/intensity <b>LD2</b> <sup>3</sup> - Lutron DALI-2 digital  <sup>2</sup> PoE (Power-over-Ethernet) compatible. Consult factory for details. <sup>3</sup> On-site commissioning is required.	<b>1</b> - 1 circuit	<b>5WAC36</b> - Power 5" white canopy (36" aircraft cable) <a href="#">For all other options refer to our Pendant Mounting Guide</a>			

POWER CORD COLOR	FINISH	OPTIONS
<b>BPC</b> - Black power cord <b>WPC</b> - White power cord	<b>W</b> - Matte white <b>AL</b> - Aluminum <b>B</b> - Matte black <b>RAL 1028</b> - Yellow <b>RAL 2004</b> - Orange <b>RAL 3020</b> - Red <b>RAL 4010</b> - Magenta <b>RAL 5002</b> - Blue <b>RAL 6018</b> - Green <b>CF#</b> - Custom finish specify RAL#	<b>FU120</b> - Fuse 120V <b>FU277</b> - Fuse 277V <b>NA</b> - None

## Accessories

Optional, order separately

**DMX WALL CONTROLLER <sup>4</sup>**

**WCW** - Wall controller white  
**WBW** - Wall controller black

<sup>4</sup>Available with DMX only. For more information, see pages 7 to 12, or consult factory.

# POP COLOR ROUND 36

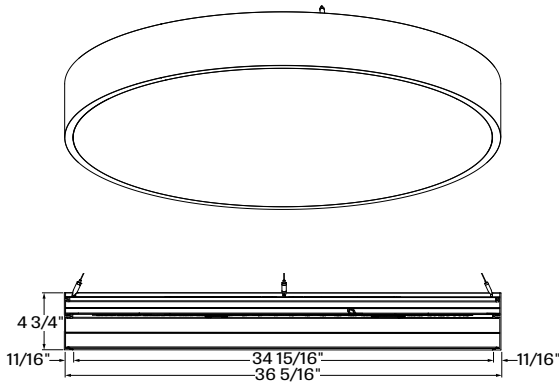


# Lumenwerx

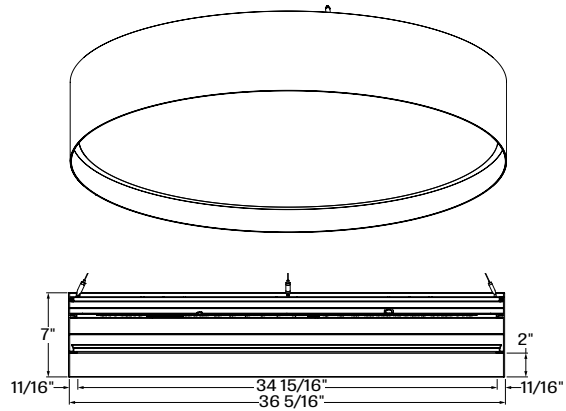
PENDANT DIRECT  
CHROMAWERX - SOLA AND DUO

## Dimensions

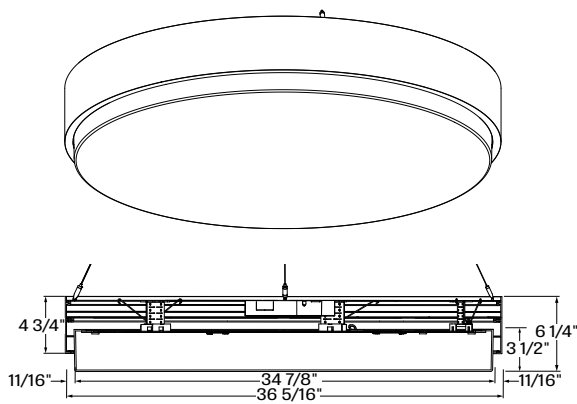
POP COLOR FH - FLUSH



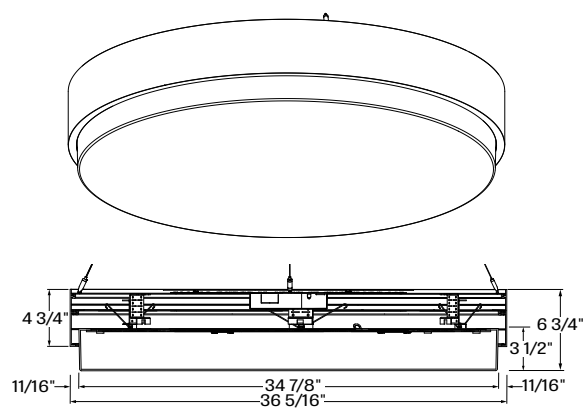
POP COLOR 2R - 2" REGRESSED



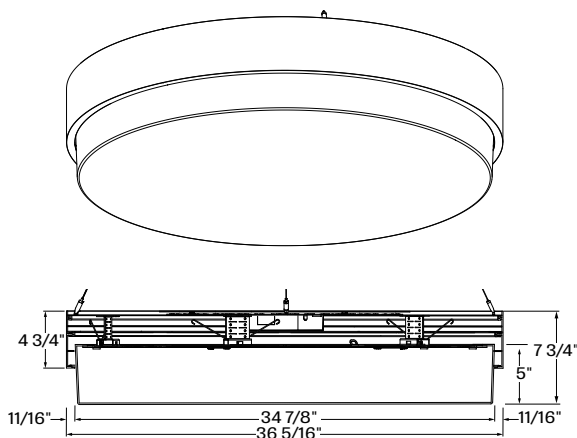
POP COLOR 1D - 1" DROP



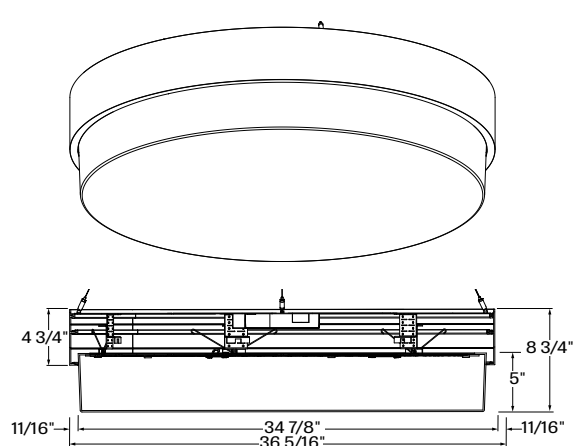
POP COLOR 2D - 2" DROP



POP COLOR 3D - 3" DROP



POP COLOR 4D - 4" DROP



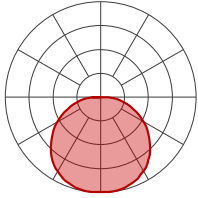
# POP COLOR ROUND 36



PENDANT DIRECT  
CHROMAWERX - SOLA AND DUO

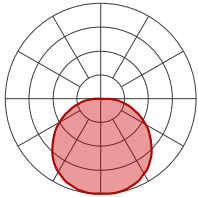
## Photometrics

### 4000 LUMEN AT 80 CRI - LOW OUTPUT



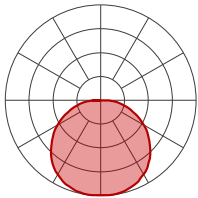
LED OUTPUT	COLOR TEMP	WATTS	NOMINAL DELIVERED LUMENS	EFFICACY LPW
Low output	2700K	39	4000	103
Low output	3000K	38	4000	105
Low output	3500K	37	4000	108
Low output	4000K	35.5	4000	112
Low output	5000K	34	4000	117
Low output	6500K	34.5	4000	116

### 5500 LUMEN AT 80 CRI - MEDIUM OUTPUT



LED OUTPUT	COLOR TEMP	WATTS	NOMINAL DELIVERED LUMENS	EFFICACY LPW
Medium output	2700K	55	5500	100
Medium output	3000K	54	5500	102
Medium output	3500K	52	5500	106
Medium output	4000K	50.5	5500	109
Medium output	5000K	48.5	5500	113
Medium output	6500K	48.5	5500	113

### 8000 LUMEN AT 80 CRI - HIGH OUTPUT



LED OUTPUT	COLOR TEMP	WATTS	NOMINAL DELIVERED LUMENS	EFFICACY LPW
High output	2700K	83.5	8000	96
High output	3000K	82	8000	98
High output	3500K	78.5	8000	102
High output	4000K	76	8000	105
High output	5000K	73.5	8000	109
High output	6500K	73.5	8000	109



PENDANT DIRECT  
CHROMAWERX - SOLA AND DUO

## Technical Specifications

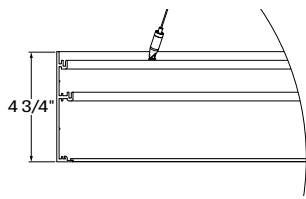
### OPTIC

#### Uniform Efficiency Lambertian Optic (ULO)

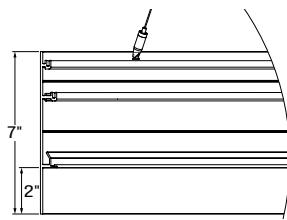
Made of formed impact modified white PMMA, the optic provides an even light distribution with up to 88% transmission. Its unique enclosed shell design protects LEDs against Electrostatic Discharge and dust while its back surface project a soft glow on the mounting surface.

### LENS POSITION

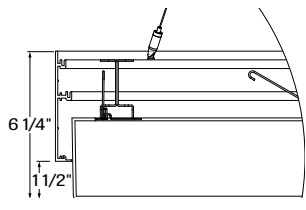
Pop Color Round 36 pendant is available in 6 lens configurations.



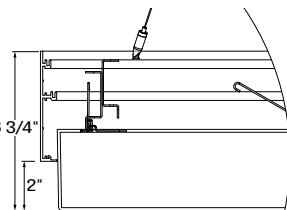
PCROP + FH - Flush lens



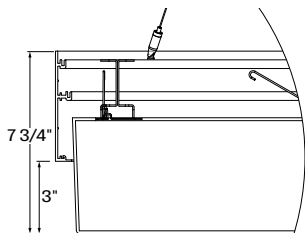
PCRORGP + 2R - 2" regressed lens



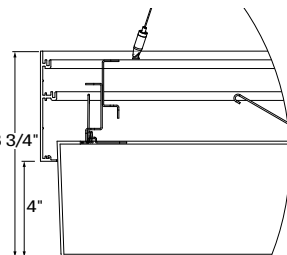
PCROP + 1D - 1" drop lens



PCROP + 2D - 2" drop lens



PCROP + 3D - 3" drop lens



PCROP + 4D - 4" drop lens

### LIGHT SOURCE

Custom array of alternating color temperature mid-flux LED's are mounted directly to the housing for optimal thermal performance. For the Duo products, a color temperature range from 6500K-2700K is achievable with color points on or below the black body curve. For the Sola products, a color temperature range from 3500K-2200K is controlled synchronously with intensity. Color consistency between fixtures is maintained to within 3SDCM. LEDs are operated at reduced drive current to optimize efficacy and lumen maintenance.

All LED's have been tested in accordance with IESNA LM-80-08 and the results have shown L80 lumen maintenance greater than 60,000 hours. Absolute product photometry is measured and presented in accordance with IESNA LM-79, unless otherwise indicated.

### CHROMAWERX - TUNABLE WHITE

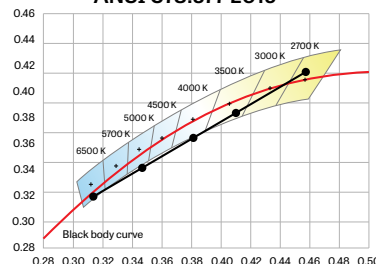
#### Chromawerx Sola

It is a single-channel control that dims output while warming the color temperature in a pre-determined relationship. A simple analog control sends a common signal to dual output digital drivers, which are programmed to adjust a specially populated LED array to emulate the effect of dimming a filament source. Dimming range is programmable but the default option runs from 3500K at 100% of full power to 2200K at 5% of full power. CRI is maintained above 80 throughout the dimming range.

#### Chromawerx Duo

It is a two-channel control. It uses an analog (0-10V) protocol for separate control of luminaire CCT and intensity or a digital (DMX, DALI and LD2) protocol for synchronous control of both warm and cool LED arrays to enable the user to set color temperature and light output. Commonly called "tunable white", Chromawerx two-channel control provides the range of cool (6500K) to warm (2700K) color that can be useful for helping to entrain circadian rhythms, stimulate alertness for improved educational and work productivity, and compensate for jet lag, among other applications. The Chromawerx drivers are programmed to limit maximum light output and power usage across all color temperatures. CRI is maintained above 80.

ANSI C78.377-2015



# POP COLOR ROUND 36



# Lumenwerx

## PENDANT DIRECT CHROMAWERX - SOLA AND DUO

### ELECTRICAL

#### SOLA

##### **SDI**

Factory-set, adjustable output current LED driver with universal (120-277VAC) input. Using a single 0-10V control signal, the light output warms in color temperature as it dims down to 1% and 2200K. At maximum driver load, efficiency<86%, PF>0.9, THD<20%.

#### DUO

##### **DMX**

Factory-set adjustable output current electronic driver with 120-277V AC line input. Using DMX wall controls (optionally supplied by Lumenwerx) or an existing DMX control system, both channels of LEDs are independently adjustable. Each DMX driver can be independently addressed using the built-in RDM (Remote Device Management) in the field. Dimming down to 1% is attainable. Rated life (90% survivorship) of 50,000 hours at 50°C maximum ambient temperature. At maximum driver load, efficiency<84%, PF>0.9, THD<20%.

##### **DALI**

Factory-set adjustable output current electronic driver with 120-277V AC line input. Using an existing DALI control system (supplied by others), one control channel adjusts the fixture color temperature, and the other control channel adjusts fixture brightness. Dimming down to 1% is attainable. Rated life (90% survivorship) of 50,000 hours at 50°C maximum ambient temperature. At maximum driver load, efficiency<84%, PF>0.9, THD<20%.

##### **DD1**

Factory-set adjustable output current LED driver with universal (120-277VAC) input. Controlled via two individual 0-10V signals, one for setting light output down to a minimum of 1% and the other for adjusting the CCT (default range of 6500K-2700K). Rated life of 50,000 hours at 70°C maximum driver case temperature and 100% load conditions. Typical efficiency of 86%, PF>0.9, THD<20% at 100% load conditions.

##### **LD2**

Lutron DALI-2 digital drivers provide a high-performance tunable white solution with single-address digital control. Guaranteed performance and compatibility when used with Lutron DALI-2 controls.

#### PoE

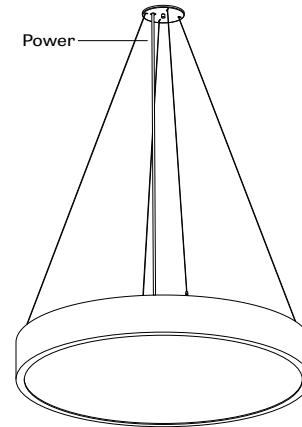
Depending on the PoE manufacturer selected, Lumenwerx will install the node in factory as either integral to the luminaire, or as a remote module. Factory programming of the PoE node may or may not enable the following functionalities: lumen package, Duo (tunable white), emergency battery backup, and sensor integration. These must be addressed and evaluated on a case-by-case basis.

### MOUNTING OPTION

Fixtures are pendant-mounted, using aircraft cables. Unless otherwise specified, Lumenwerx provides the following hardware:

**For cable-mounted fixtures** - 5WAC36, 5" white canopy with a 36" cable.

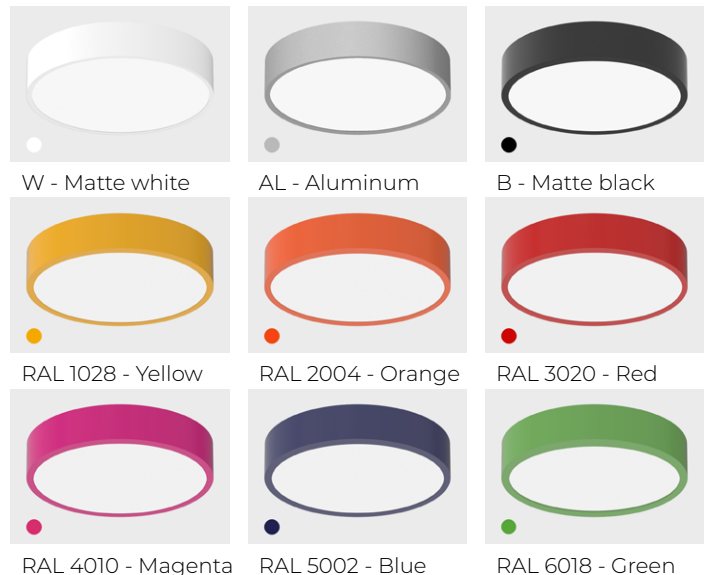
[For all other options, see our website for a detailed Pendant Mounting Guide](#)



### FINISH

**Interior** - 95%, reflective, matte white powder coating

**Exterior** - Side trim is offered in a range of vibrant color powder coating.



# POP COLOR ROUND 36



**Lumenwerx**

PENDANT DIRECT  
CHROMAWERX - SOLA AND DUO

## CONSTRUCTION

**Housing** - Rolled and seamlessly welded aluminum extrusion  
.125in thick, wide variety of colored powder coating

## WEIGHT

**RD 36 Flush, 1D, 2D** - 33.23lbs - 15.09kg

**RD 36 2R, 3D, 4D** - 34.63lbs - 15.73kg

## CERTIFICATION

**ETL** - Rated for Indoor Dry/Damp locations. Conforms to UL Standard 1598 and certified to CAN/CSA Standard C22.2 No. 250.0.

## WARRANTY

Lumenwerx provides a five-year limited warranty of electrical and mechanical performance of the luminaires, including the LED boards, drivers, and auxiliary electronics. Lumenwerx will repair or replace defective luminaires or components at our discretion, provided they have been installed and operated in accordance with our specifications. Other limitations apply, please refer to the full warranty on our website.

Wall controllers are covered by the manufacturer warranty.



PENDANT DIRECT  
CHROMAWERX - SOLA AND DUO

## DUO DMX SPECIFICATION

A qualified DMX integrator is required to assure proper installation and commissioning of the DMX network. **When placing the PO, please provide the contact information of your DMX integrator.**

Please answer the following questions to help us identify your DMX network requirements.

YES

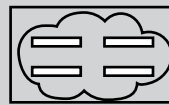
Do you require a wall controller provided by Lumenwerx?

NO

DMX control system supplied by others. Lumenwerx will supply DMX-enabled fixtures with default DMX addressing. See following pages for technical DMX informations.

DMX controller supplied by Lumenwerx

**How many zones do you have?**  
A zone consists of one or more luminaires behaving identically.

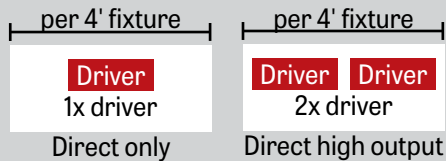


1 Zone



2 Zones

**How to calculate the required number of drivers:**



To Calculate # of drivers

1 - 4 Zones

5 or more Zones

Do you have more than 32 drivers in total?

NO

YES

Order a standard Lumenwerx wall controller.

### WALL CONTROLLER

**WCW** - wall controller white  
**WCB** - wall controller black

Add the control code at the end of your order code.

Please provide a fixture layout or RCP (Reflected Ceiling Plan) showing the locations of the DMX fixtures, zones and the DMX wall controller.

Refer to your DMX integrator for the installation.

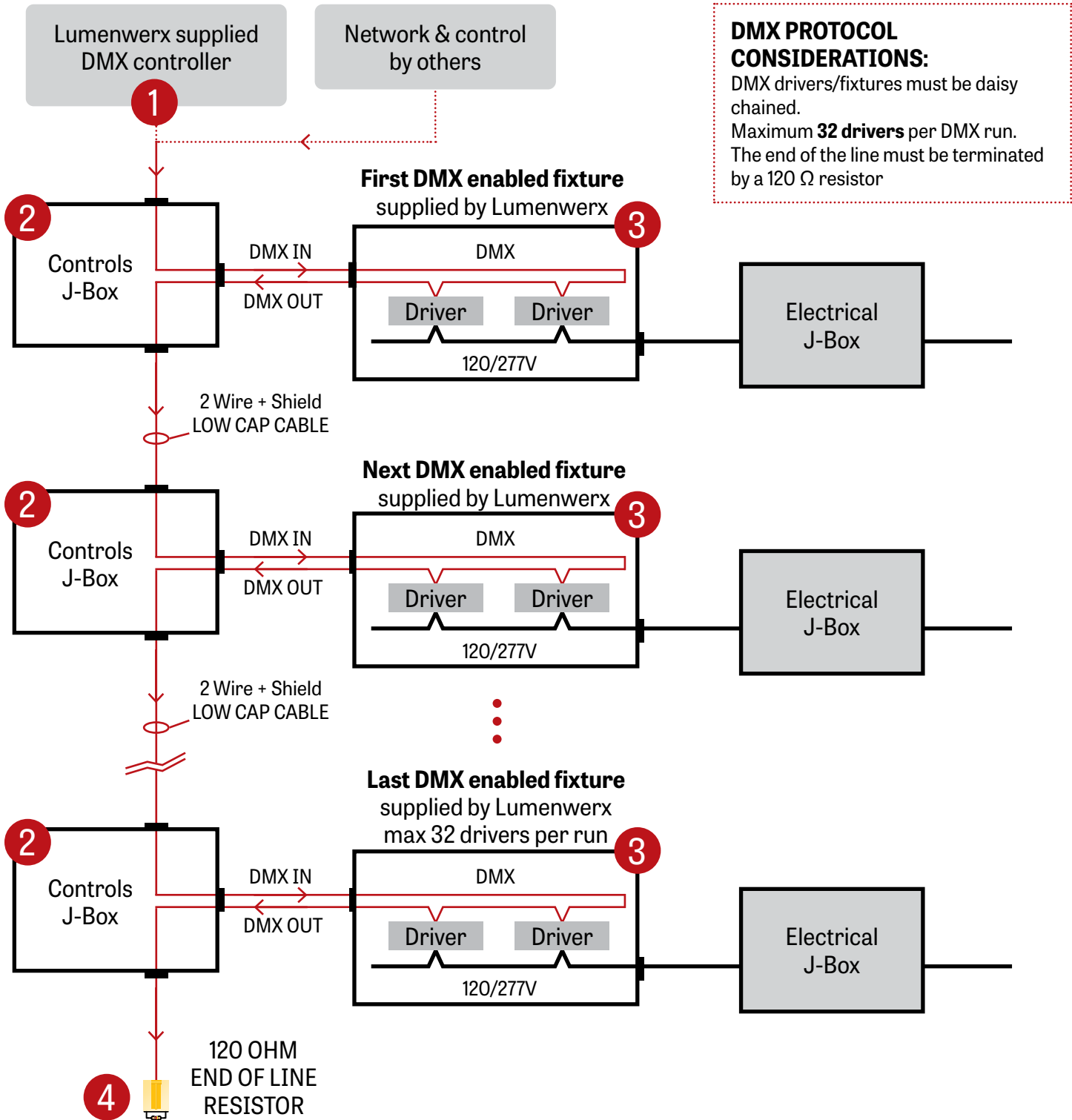
Subject to factory evaluation. Please contact our controls specialist at [controls@lumenwerx.com](mailto:controls@lumenwerx.com). Additional cost and equipment will be required.

Subject to factory evaluation and approval. Please contact our controls specialist at [controls@lumenwerx.com](mailto:controls@lumenwerx.com). Additional cost and equipment will be required.



PENDANT DIRECT  
CHROMAWERX - SOLA AND DUO

## GENERIC DMX NETWORK ARCHITECTURE



# POP COLOR ROUND 36



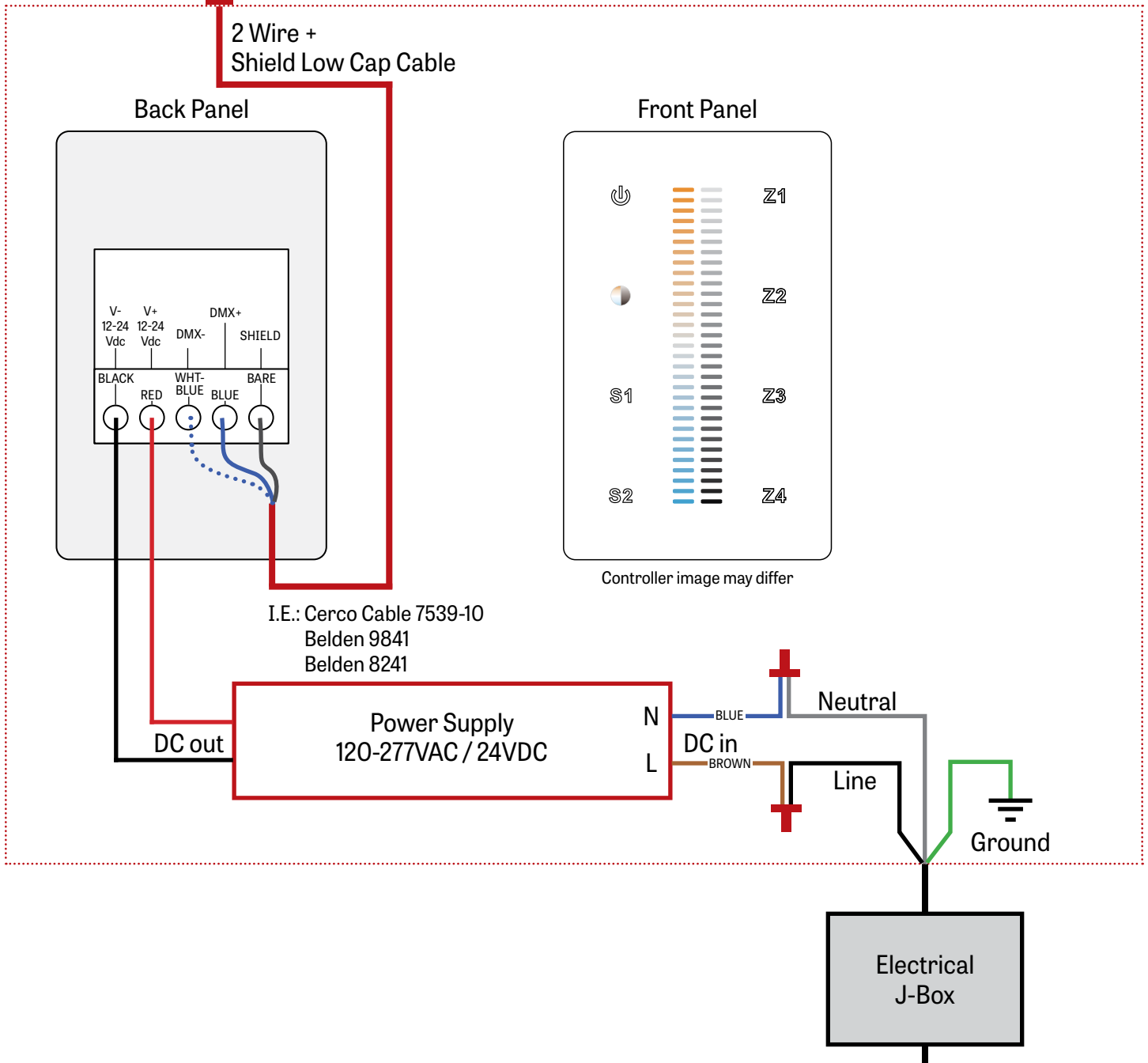
# Lumenwerx

PENDANT DIRECT  
CHROMAWERX - SOLA AND DUO

## 1 LUMENWERX SUPPLIED DMX CONTROLLER

To the first fixture

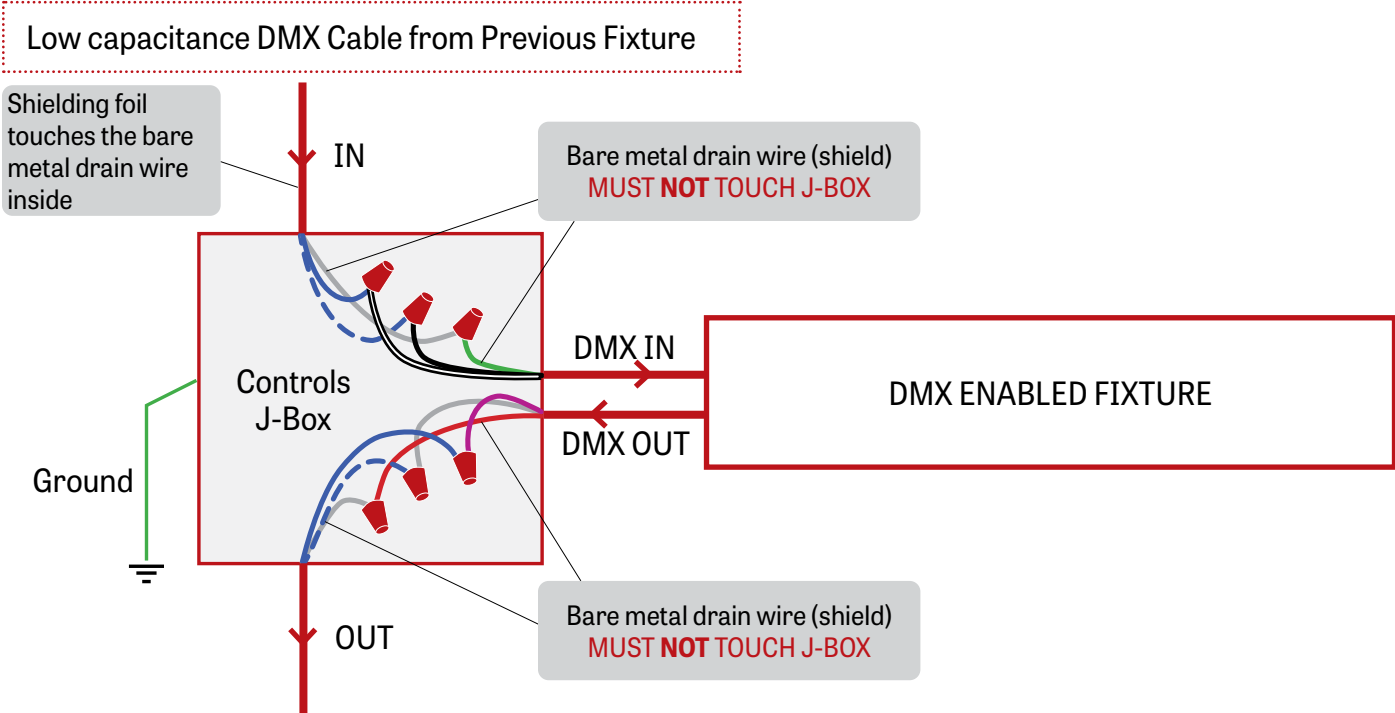
WALL BOX SUPPLIED BY OTHERS





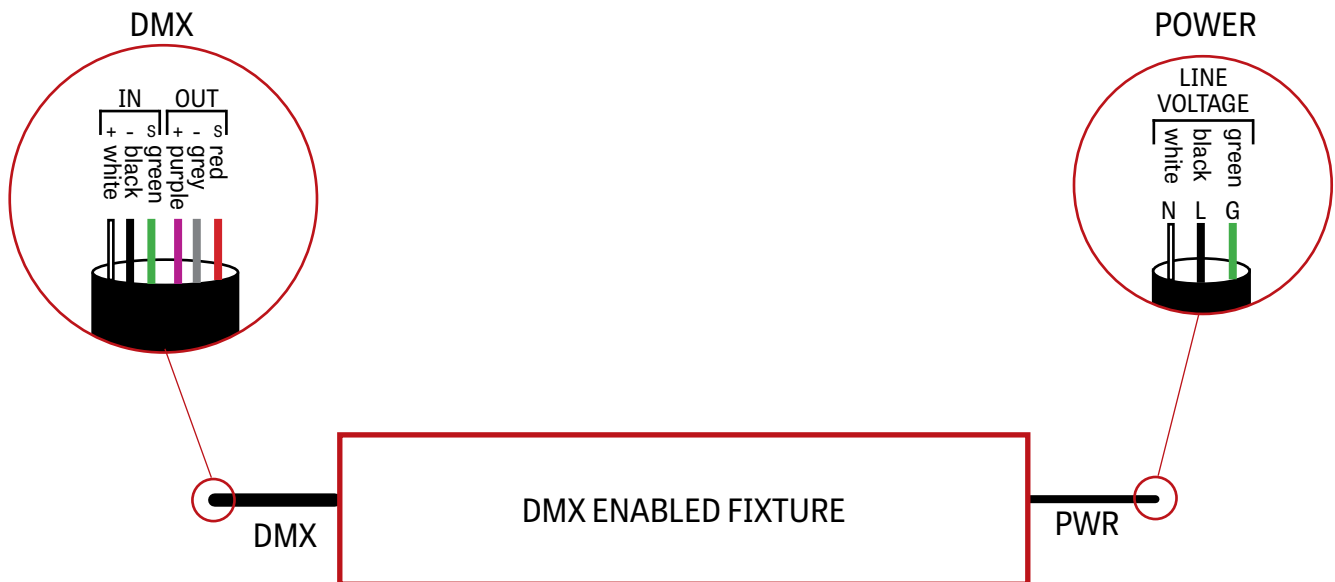
PENDANT DIRECT  
CHROMAWERX - SOLA AND DUO

## 2 J-BOX DMX DAISY CHAIN DETAIL



Low capacitance DMX cable to next fixture

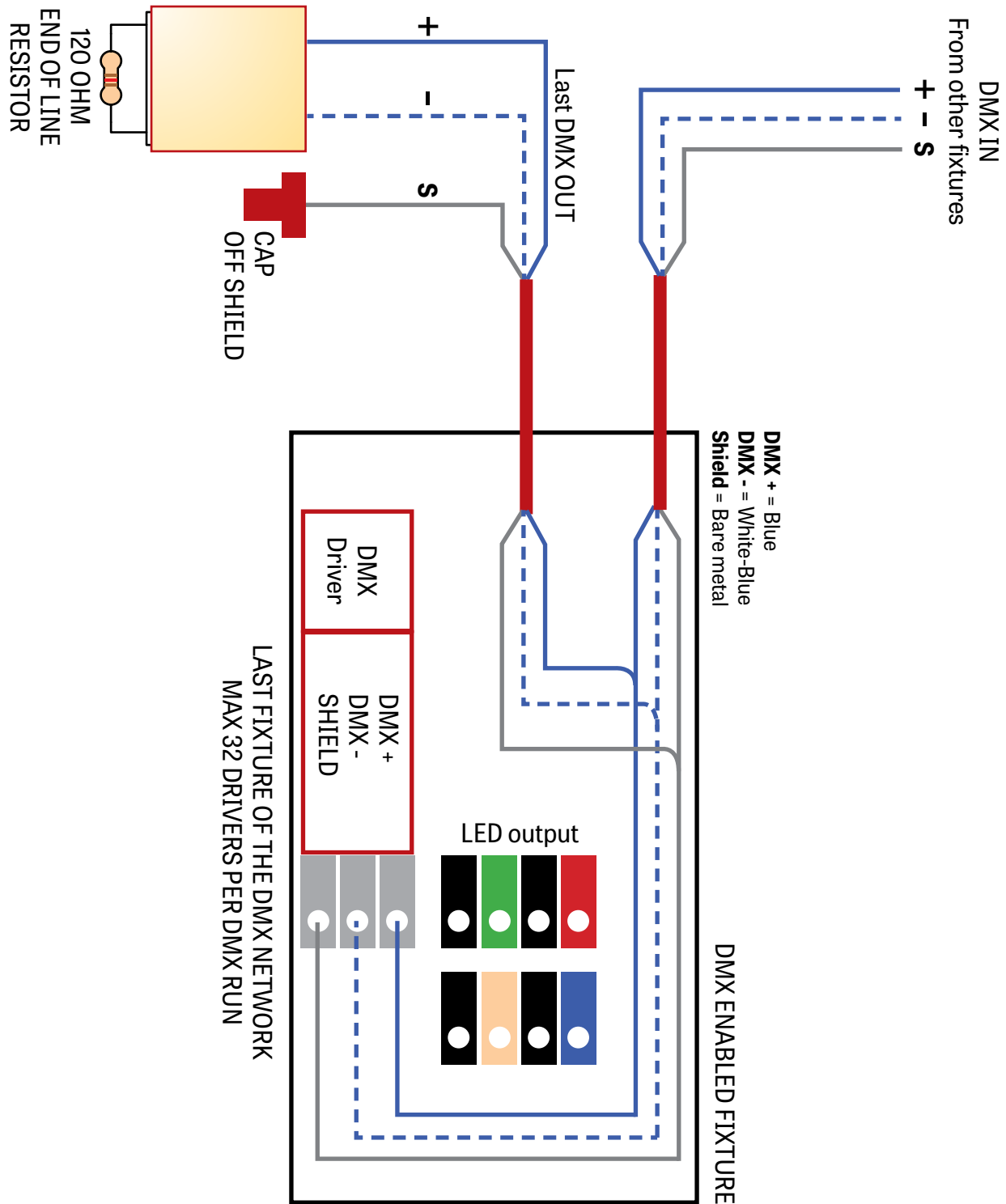
## 3 DMX CONNECTION PENDANT & WALL





PENDANT DIRECT  
CHROMAWERX - SOLA AND DUO

## 4 DMX LAST FIXTURE DETAIL

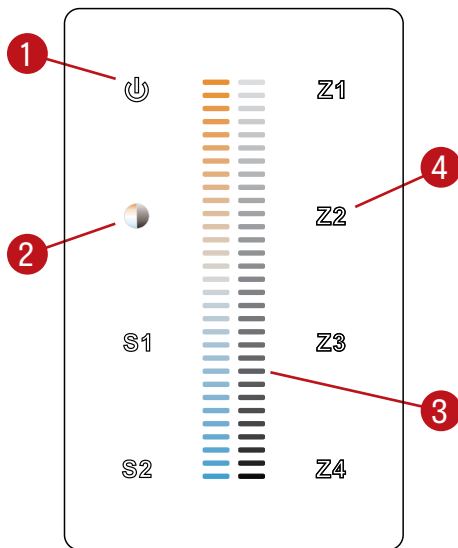




PENDANT DIRECT  
CHROMAWERX - SOLA AND DUO

## DMX WALL CONTROLLER

### DUO 1-4 ZONE



- (1) Power: Use this button to turn ON or OFF the fixture.
- (2) Brightness/CCT: Use the color/brightness toggle button to choose between color/brightness. When Blue: brightness is selected, when Yellow: color is selected.
- (3) Slider: Depending on the mode chosen in step 2, the slider will allow the user to set desired color or brightness.
- (4) Zone select: Up to 4 zones can be selected either independently or together. Once selected, the commands will be sent to the zone identified by a Blue LED.

### Default DMX Addresses:

- 1 Warm
- 2 Cool