

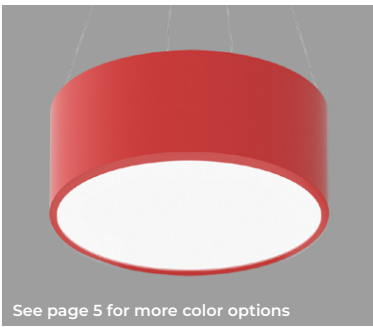
# POP COLOR ROUND 12



PENDANT DIRECT  
STATIC WHITE



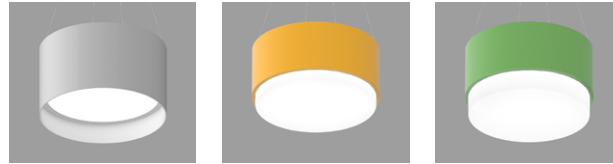
Project: \_\_\_\_\_  
Type: \_\_\_\_\_



See page 5 for more color options

## DESCRIPTION

POP Color features a painted housing with a uniformly luminous diffuser that sits flush, regressed or drops up to 2" below. POP Color delivers up to 101 LPW and is available in nine standard housing colors.



Flush lens

2" regressed lens

1" drop lens

2" drop lens

## Order Guide

Up to 101 lm/W performance

LUMINAIRE ID	DISTRIBUTION	SIZE	OPTIC	LENS POSITION	LIGHT SOURCE <sup>1</sup>	CRI	LUMEN PACKAGE
	<b>D</b>	<b>12IN</b>	<b>ULO</b>		<b>SW</b>		
<b>PCROP</b> - Pop Color Round Pendant <b>PCRORGP</b> - Pop color Round Regressed Lens Pendant	<b>D</b> - Direct	<b>12IN</b> - Ø 12"	<b>ULO</b> - Uniform Lambertian Optic	<b>PCROP</b> <b>FH</b> - Flush <b>1D</b> - 1" drop <b>2D</b> - 2" drop  <b>PCRORGP</b> <b>2R</b> - 2" regressed	<b>SW</b> - Static white  <sup>1</sup> Chromawerx Solaand Duo also available. Consult other spec sheet.	<b>80</b> - 80 CRI <b>90</b> - 90 CRI	<b>750</b> - Min. low output 750lm <b>900</b> - Medium output 900lm <b>1100</b> - Max. high output 1100lm <b>####</b> - Other required lm

COLOR TEMP.	VOLTAGE	DRIVER <sup>3</sup>	ELECTRICAL	MOUNTING
			<b>1</b>	<b>5WAC36</b>
<b>27</b> - 2700K <b>30</b> - 3000K <b>35</b> - 3500K <b>40</b> - 4000K	<b>120</b> - 120V <b>277</b> - 277V <b>UNV</b> - 120V-277V <b>347</b> <sup>2</sup> - 347V  <sup>2</sup> Available with D1 only.	<b>D1</b> - 1% 0-10V <b>DA</b> <sup>4</sup> - DALI <b>LDE1</b> <sup>4</sup> - Lutron Hi-lume 1% Eco <b>ELD1</b> - eldoLED 1% ECOdrive 0-10V <b>ELDO</b> - eldoLED 0.1% SOLOdrive 0-10V  <sup>3</sup> PoE (Power-over-Ethernet) compatible. Consult factory for details. <sup>4</sup> On-site commissioning is required.	<b>1</b> - 1 circuit	<b>5WAC36</b> - Power 5" white canopy (36" aircraft cable) <a href="#">For all other options refer to our Pendant Mounting Guide</a>

POWER CORD COLOR	FINISH	OPTIONS
<b>BPC</b> - Black power cord <b>WPC</b> - White power cord	<b>W</b> - Matte white <b>AL</b> - Aluminum <b>B</b> - Matte black <b>RAL 1028</b> - Yellow <b>RAL 2004</b> - Orange <b>RAL 3020</b> - Red <b>RAL 4010</b> - Magenta <b>RAL 5002</b> - Blue <b>RAL 6018</b> - Green <b>CF#</b> - Custom finish specify RAL#	<b>FU120</b> - Fuse 120V <b>FU277</b> - Fuse 277V <b>NA</b> - None

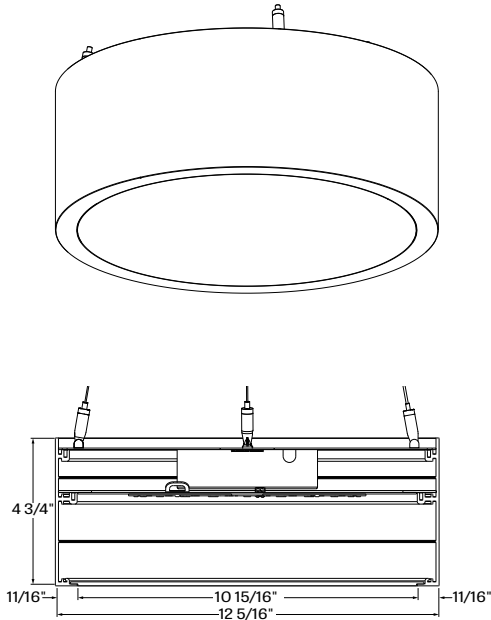
# POP COLOR ROUND 12



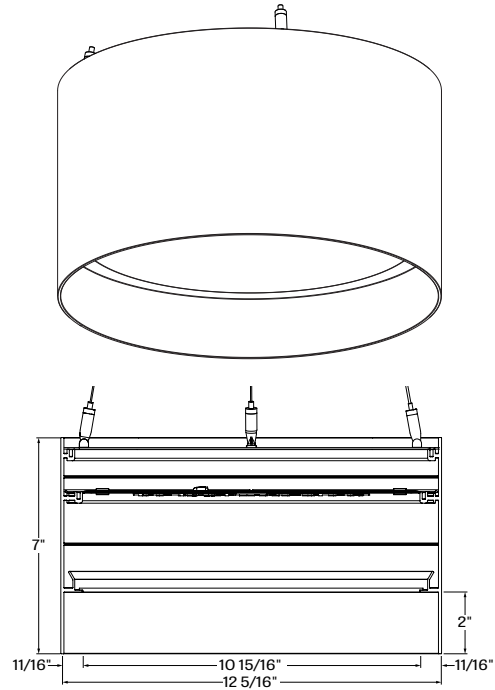
PENDANT DIRECT  
STATIC WHITE

## Dimensions

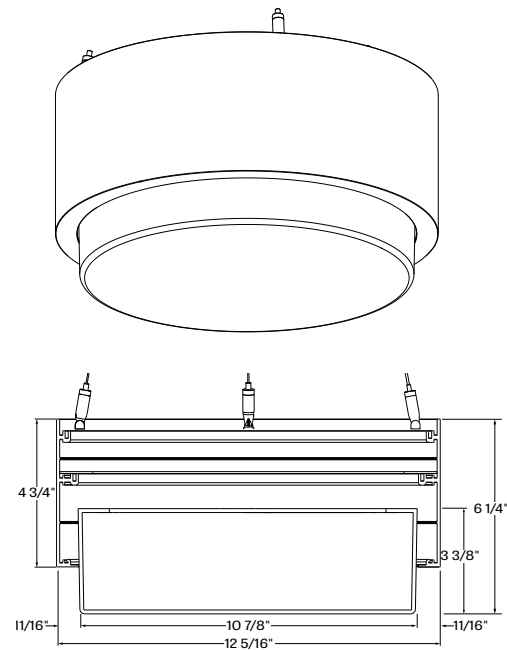
POP COLOR FH - FLUSH



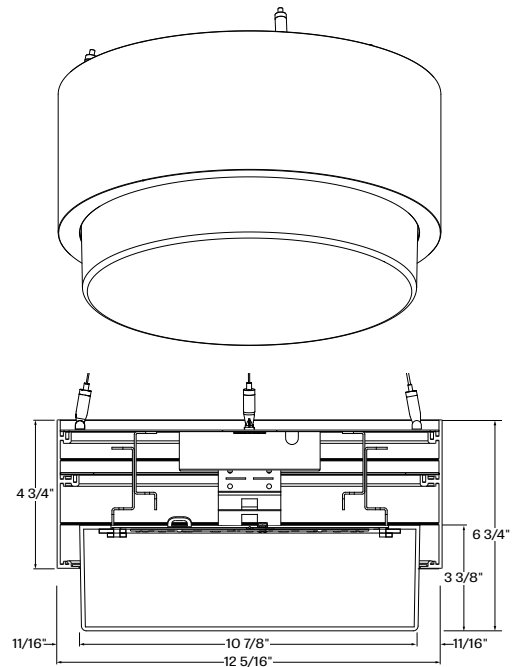
POP COLOR 2R - 2" REGRESSED



POP COLOR 1D - 1" DROP



POP COLOR 2D - 2" DROP

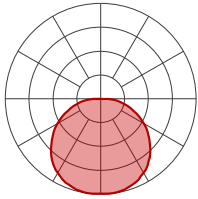


# POP COLOR ROUND 12



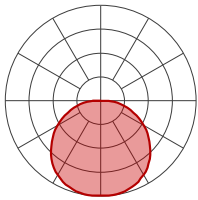
PENDANT DIRECT  
STATIC WHITE

## Photometrics



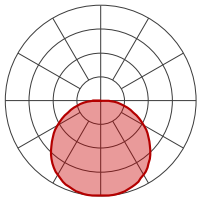
750 LUMEN AT 80 CRI - LOW OUTPUT

LED OUTPUT	COLOR TEMP	WATTS	NOMINAL DELIVERED LUMENS	EFFICACY LPW
Low output	2700K	8	750	93
Low output	3000K	8	750	95
Low output	3500K	7.5	750	98
Low output	4000K	7.5	750	101



900 LUMEN AT 80 CRI - MEDIUM OUTPUT

LED OUTPUT	COLOR TEMP	WATTS	NOMINAL DELIVERED LUMENS	EFFICACY LPW
Medium output	2700K	10	900	91
Medium output	3000K	9.5	900	93
Medium output	3500K	9.5	900	96
Medium output	4000K	9	900	99



1100 LUMEN AT 80 CRI - HIGH OUTPUT

LED OUTPUT	COLOR TEMP	WATTS	NOMINAL DELIVERED LUMENS	EFFICACY LPW
High output	2700K	11.5	1100	95
High output	3000K	11.5	1100	94
High output	3500K	11.5	1100	97
High output	4000K	11	1100	100

# POP COLOR ROUND 12



PENDANT DIRECT  
STATIC WHITE

## Technical Specifications

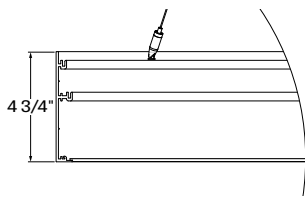
### OPTIC

#### Uniform Efficiency Lambertian Optic (ULO)

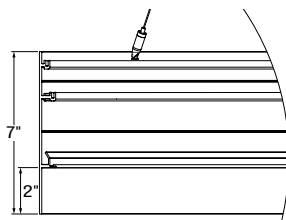
Made of formed impact modified white PMMA, the optic provides an even light distribution with up to 88% transmission. Its unique enclosed shell design protects LEDs against Electrostatic Discharge and dust while its back surface project a soft glow on the mounting surface.

### LENS POSITION

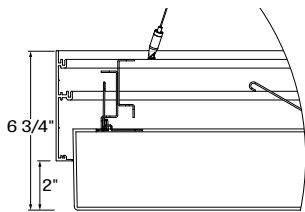
Pop Color Round 12 pendant is available in 4 lens configurations.



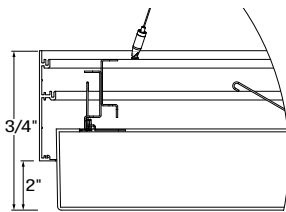
PCROP + FH - Flush lens



PCRORGP + 2R - 2" regressed lens



PCROP + 1D - 1" drop lens



PCROP + 2D - 2" drop lens

### LIGHT SOURCE

Custom array of mid-flux LEDs are mounted directly to the housing for optimal thermal performance. Available in 2700K, 3000K, 3500K and 4000K with a minimum 80 CRI and an option for 90 CRI with elevated R9 value. Color consistency maintained to within 3 SDCM. LEDs operated at reduced drive current to optimize efficacy and lumen maintenance.

All LEDs have been tested in accordance with IESNA LM-80-08 and the results have shown L80 lumen maintenance greater than 60,000 hours. Absolute product photometry is measured and presented in accordance with IESNA LM-79, unless otherwise indicated.

### ELECTRICAL

Factory-set, adjustable output current LED driver with universal (120-277VAC) input. Dimmable from 100% to 1% with 0-10V dimming control. Rated life (90% survivorship) of 50,000 hours at 50°C max. ambient (and 70°C max. case) temperature. At maximum driver load: Efficiency>84%, PF>0.9, THD<20%. Other specifiable options include Lutron Hi-Lume 1% (specify 2-wire, or Ecosystem Dim-to-Off), eldoLED 1% ECOdrive 0-10V, eldoLED 0.1% SOLOdrive 0-10V, and DALI protocol drivers. All of our standard 0-10V drivers are NEMA 410 compliant.

### PoE

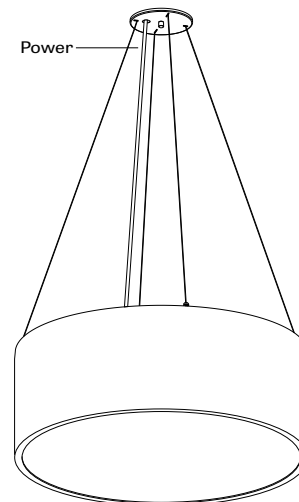
Depending on the PoE manufacturer selected, Lumenwerx will install the node in factory as either integral to the luminaire or as a remote module. Factory programming of the PoE node may or may not enable the following functionalities: lumen package, Duo (tunable white) emergency battery backup, and sensor integration. These must be addressed and evaluated on a case-by-case basis.

### MOUNTING OPTION

Fixtures are pendant-mounted, using aircraft cables. Unless otherwise specified, Lumenwerx provides the following hardware:

**For cable-mounted fixtures** - 5WAC36, 5" white canopy with a 36" cable.

[For all other options, see our website for a detailed Pendant Mounting Guide](#)



# POP COLOR ROUND 12



PENDANT DIRECT  
STATIC WHITE

## FINISH

**Interior** - 95%, reflective, matte white powder coating

**Exterior** - Side trim is offered in a range of vibrant color powder coating.



W - Matte white



AL - Aluminum



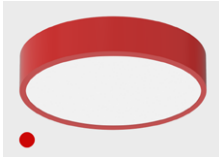
B - Matte black



RAL 1028 - Yellow



RAL 2004 - Orange



RAL 3020 - Red



RAL 4010 - Magenta



RAL 5002 - Blue



RAL 6018 - Green

## CONSTRUCTION

**Housing** - Rolled and seamlessly welded aluminum extrusion  
.125in thick, wide variety of colored powder coating

## WEIGHT

**RD 12 Flush, 2R, 1D, 2D** - 6.15lb - 2.8kg

## CERTIFICATION

**ETL** - Rated for Indoor Dry/Damp locations. Conforms to UL Standard 1598 and certified to CAN/CSA Standard C22.2 No. 250.0.

## WARRANTY

Lumenwerx provides a five-year limited warranty of electrical and mechanical performance of the luminaires, including the LED boards, drivers, and auxiliary electronics. Lumenwerx will repair or replace defective luminaires or components at our discretion, provided they have been installed and operated in accordance with our specifications. Other limitations apply, please refer to the full warranty on our website.