

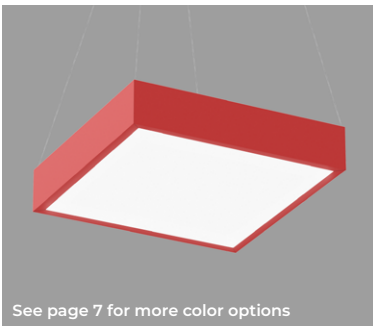
# POP COLOR SQUARE 2x2



PENDANT DIRECT/INDIRECT  
STATIC WHITE



Project: \_\_\_\_\_  
Type: \_\_\_\_\_

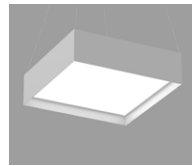


See page 7 for more color options

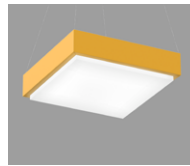
Flush lens

## DESCRIPTION

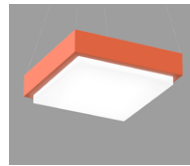
POP Color features a painted housing with a uniformly luminous diffuser that sits flush, regressed or drops up to 4" below. POP Color delivers up to 114 LPW and is available in nine standard housing colors.



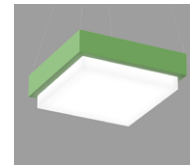
2" regressed lens



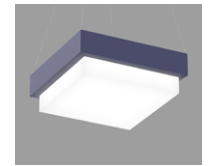
1" drop lens



2" drop lens



3" drop lens



4" drop lens

## Order Guide

Up to 114 lm/W performance

LUMINAIRE ID	DISTRIBUTION <sup>1</sup>	SIZE	OPTIC	LENS POSITION	LIGHT SOURCE <sup>2</sup>	CRI	DIRECT LUMEN PACKAGE
	<b>DI</b>	<b>2FTX2FT</b>	<b>ULO</b>		<b>SW</b>		
<b>PCSQP</b> - Pop Color Square Pendant <b>PCSQRGP</b> - Pop Color Square Regressed Lens Pendant	<b>DI</b> - Direct/Indirect  <sup>1</sup> The lens on the indirect side is clear.	<b>2FTX2FT</b> - 2' X 2'	<b>ULO</b> - Uniform Lambertian Optic	<b>PCSQP</b> <b>FH</b> - Flush <b>1D</b> - 1" drop <b>2D</b> - 2" drop <b>3D</b> - 3" drop <b>4D</b> - 4" drop  <b>PCSQRGP</b> <b>2R</b> - 2" regressed	<b>SW</b> - Static white  <sup>2</sup> Chromawerx Sola and Duo also available. Consult other spec sheet.	<b>80</b> - 80 CRI <b>90</b> - 90 CRI	<b>2500</b> - Min. low output 2500lm <b>3500</b> - Medium output 3500lm <b>4500</b> - Max. high output 4500lm <b>####</b> - Other required lm

INDIRECT LUMEN PACKAGE	COLOR TEMP.	VOLTAGE	DRIVER <sup>4</sup>	ELECTRICAL
<b>750</b> - Min. low output 750lm <b>900</b> - Medium output 900lm <b>1100</b> - Max. high output 1100lm <b>####</b> - Other required lm	<b>27</b> - 2700K <b>30</b> - 3000K <b>35</b> - 3500K <b>40</b> - 4000K	<b>120</b> - 120V <b>277</b> - 277V <b>UNV</b> - 120V-277V <b>347</b> <sup>3</sup> - 347V  <sup>3</sup> Available with D1 only.	<b>D1</b> - 1% 0-10V <b>DA</b> <sup>5</sup> - DALI <b>LDE1</b> <sup>5</sup> - Lutron Hi-Lume 1% Eco <b>ELD1</b> - eldoLED 1% ECOdrive 0-10V <b>ELDO</b> - eldoLED 0.1% SOLOdrive 0-10V  <sup>4</sup> PoE (Power-over-Ethernet) compatible. Consult factory for details. <sup>5</sup> On-site commissioning is required.	<b>1</b> - 1 circuit <b>2</b> - 2 circuits <b>+EB</b> <sup>6</sup> - Emergency battery pack <b>+GTD</b> <sup>6</sup> - Generator transfer device  <sup>6</sup> Not available with 347V.

MOUNTING	POWER CORD COLOR	FINISH	OPTIONS
<b>5SWAC36</b>			
<b>5SWAC36</b> - Power 5" square white canopy (36" aircraft cable) <a href="#">For all other options refer to our Pendant Mounting Guide</a>	<b>BPC</b> - Black power cord <b>WPC</b> - White power cord	<b>W</b> - Matte white <b>AL</b> - Aluminum <b>B</b> - Matte black <b>RAL 1028</b> - Yellow <b>RAL 2004</b> - Orange <b>RAL 3020</b> - Red <b>RAL 4010</b> - Magenta <b>RAL 5002</b> - Blue <b>RAL 6018</b> - Green <b>CF#</b> - Custom finish specify RAL#	<b>FU120</b> - Fuse 120V <b>FU277</b> - Fuse 277V <b>NA</b> - None

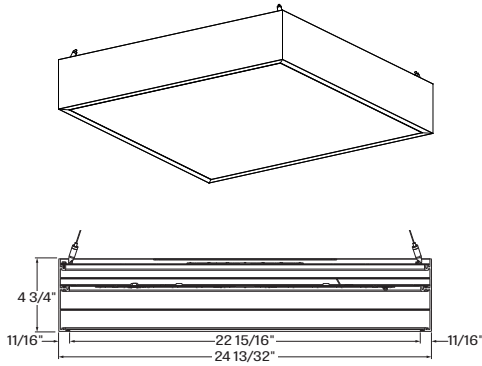
# POP COLOR SQUARE 2x2



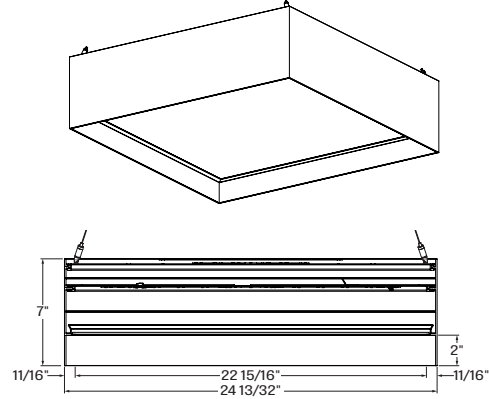
PENDANT DIRECT/INDIRECT  
STATIC WHITE

## Dimensions

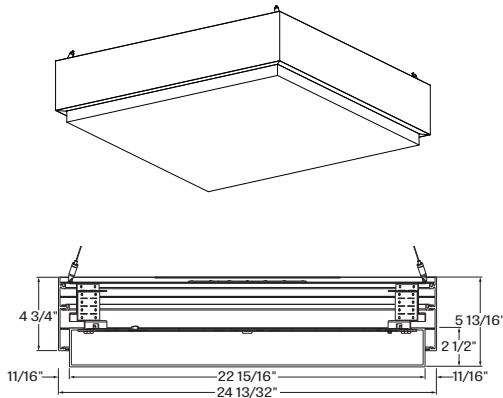
POP COLOR FH - FLUSH



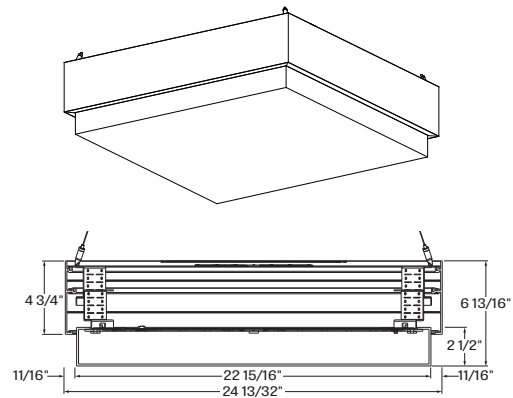
POP COLOR 2R - 2" REGRESSED



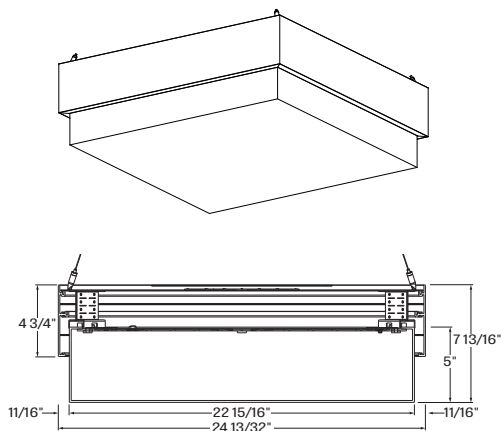
POP COLOR 1D - 1" DROP



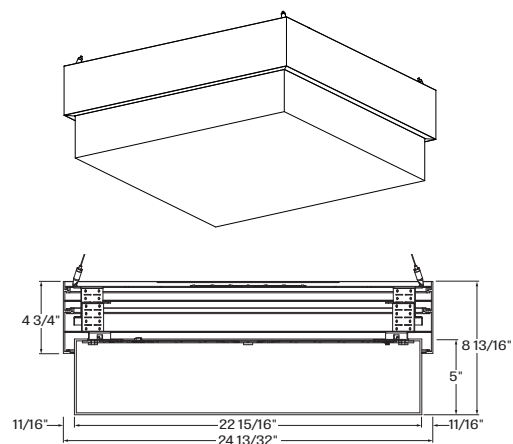
POP COLOR 2D - 2" DROP



POP COLOR 3D - 3" DROP



POP COLOR 4D - 4" DROP



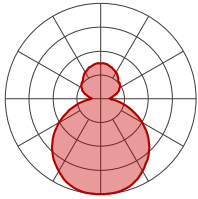
# POP COLOR SQUARE 2x2



PENDANT DIRECT/INDIRECT  
STATIC WHITE

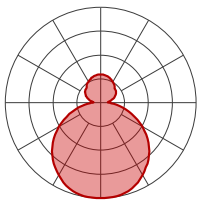
## Photometrics

Performance at Indirect 750 Lumen



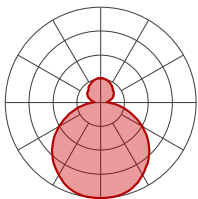
2500 LUMEN AT 80 CRI - LOW OUTPUT

LED OUTPUT	COLOR TEMP	WATTS	DIR. LUMENS	IND. LUMENS	TOTAL NOMINAL DELIVERED LUMENS	EFFICACY LPW
Low output	2700K	31	2500	750	3250	105
Low output	3000K	30.5	2500	750	3250	107
Low output	3500K	29.5	2500	750	3250	111
Low output	4000K	28.5	2500	750	3250	114



3500 LUMEN AT 80 CRI - MEDIUM OUTPUT

LED OUTPUT	COLOR TEMP	WATTS	DIR. LUMENS	IND. LUMENS	TOTAL NOMINAL DELIVERED LUMENS	EFFICACY LPW
Medium output	2700K	42	3500	750	4250	101
Medium output	3000K	41.5	3500	750	4250	103
Medium output	3500K	40	3500	750	4250	106
Medium output	4000K	38.5	3500	750	4250	110



4500 LUMEN AT 80 CRI - HIGH OUTPUT

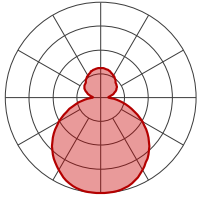
LED OUTPUT	COLOR TEMP	WATTS	DIR. LUMENS	IND. LUMENS	TOTAL NOMINAL DELIVERED LUMENS	EFFICACY LPW
High output	2700K	53	4500	750	5250	99
High output	3000K	51.5	4500	750	5250	102
High output	3500K	50	4500	750	5250	105
High output	4000K	48.5	4500	750	5250	108

# POP COLOR SQUARE 2x2



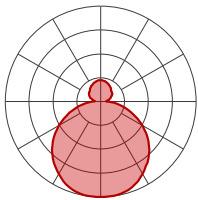
PENDANT DIRECT/INDIRECT  
STATIC WHITE

Performance at Indirect 900 Lumen



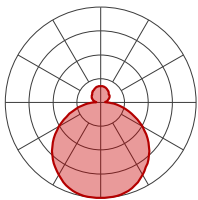
2500 LUMEN AT 80 CRI - LOW OUTPUT

LED OUTPUT	COLOR TEMP	WATTS	DIR. LUMENS	IND. LUMENS	TOTAL NOMINAL DELIVERED LUMENS	EFFICACY LPW
Low output	2700K	32.5	2500	900	3400	104
Low output	3000K	32	2500	900	3400	107
Low output	3500K	31	2500	900	3400	110
Low output	4000K	30	2500	900	3400	114



3500 LUMEN AT 80 CRI - MEDIUM OUTPUT

LED OUTPUT	COLOR TEMP	WATTS	DIR. LUMENS	IND. LUMENS	TOTAL NOMINAL DELIVERED LUMENS	EFFICACY LPW
Medium output	2700K	44	3500	900	4400	100
Medium output	3000K	43	3500	900	4400	102
Medium output	3500K	41.5	3500	900	4400	106
Medium output	4000K	40.5	3500	900	4400	109



4500 LUMEN AT 80 CRI - HIGH OUTPUT

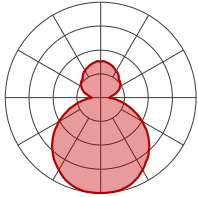
LED OUTPUT	COLOR TEMP	WATTS	DIR. LUMENS	IND. LUMENS	TOTAL NOMINAL DELIVERED LUMENS	EFFICACY LPW
High output	2700K	54.5	4500	900	5400	99
High output	3000K	53	4500	900	5400	102
High output	3500K	51.5	4500	900	5400	105
High output	4000K	50	4500	900	5400	108

# POP COLOR SQUARE 2x2



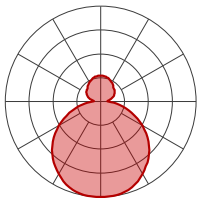
PENDANT DIRECT/INDIRECT  
STATIC WHITE

Performance at Indirect 1100 Lumen



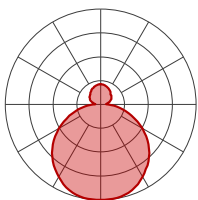
2500 LUMEN AT 80 CRI - LOW OUTPUT

LED OUTPUT	COLOR TEMP	WATTS	DIR. LUMENS	IND. LUMENS	TOTAL NOMINAL DELIVERED LUMENS	EFFICACY LPW
Low output	2700K	34.5	2500	1100	3600	104
Low output	3000K	33.5	2500	1100	3600	107
Low output	3500K	32.5	2500	1100	3600	110
Low output	4000K	31.5	2500	1100	3600	114



3500 LUMEN AT 80 CRI - MEDIUM OUTPUT

LED OUTPUT	COLOR TEMP	WATTS	DIR. LUMENS	IND. LUMENS	TOTAL NOMINAL DELIVERED LUMENS	EFFICACY LPW
Medium output	2700K	46	3500	1100	4600	100
Medium output	3000K	44.5	3500	1100	4600	103
Medium output	3500K	43.5	3500	1100	4600	106
Medium output	4000K	42	3500	1100	4600	109



4500 LUMEN AT 80 CRI - HIGH OUTPUT

LED OUTPUT	COLOR TEMP	WATTS	DIR. LUMENS	IND. LUMENS	TOTAL NOMINAL DELIVERED LUMENS	EFFICACY LPW
High output	2700K	56	4500	1100	5600	100
High output	3000K	55	4500	1100	5600	102
High output	3500K	53.5	4500	1100	5600	105
High output	4000K	52	4500	1100	5600	108

# POP COLOR SQUARE 2x2



PENDANT DIRECT/INDIRECT  
STATIC WHITE

## Technical Specifications

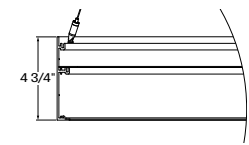
### OPTIC

#### Uniform Efficiency Lambertian Optic (ULO)

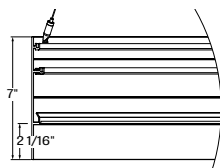
Made of formed impact modified white PMMA, the optic provides an even light distribution with up to 88% transmission. Its unique enclosed shell design protects LEDs against Electrostatic Discharge and dust while its back surface project a soft glow on the mounting surface.

### LENS POSITION

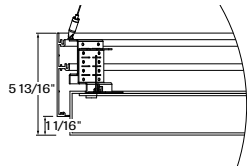
Pop Color square 22 pendant is available in 6 lens configurations.



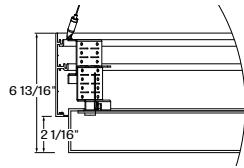
PCSQP + FH - Flush lens



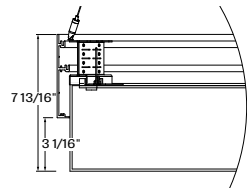
PCSQRGP + 2R - 2" regressed lens



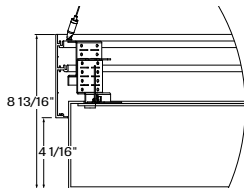
PCSQP + 1D - 1" drop lens



PCSQP + 2D - 2" drop lens



PCSQP + 3D - 3" drop lens



PCSQP + 4D - 4" drop lens

### LIGHT SOURCE

Custom array of mid-flux LEDs are mounted directly to the housing for optimal thermal performance. Available in 2700K, 3000K, 3500K and 4000K with a minimum 80 CRI and an option for 90 CRI with elevated R9 value. Color consistency maintained to within 3 SDCM. LEDs operated at reduced drive current to optimize efficacy and lumen maintenance. All LEDs have been tested in accordance with IESNA LM-80-08 and the results have shown L80 lumen maintenance greater than 60,000 hours. Absolute product photometry is measured and presented in accordance with IESNA LM-79, unless otherwise indicated.

### ELECTRICAL

Factory-set, adjustable output current LED driver with universal (120-277VAC) input. Dimmable from 100% to 1% with 0-10V dimming control. Rated life (90% survivorship) of 50,000 hours at 50°C max. ambient (and 70°C max. case) temperature. At maximum driver load: Efficiency > 84%, PF > 0.9, THD < 20%. Other specifiable options include Lutron Hi-Lume 1% (specify 2-wire, or Ecosystem Dim-to-Off), eldoLED 1% ECoDrive 0-10V, eldoLED 0.1% SOLOdrive 0-10V, and DALI protocol drivers. All of our standard 0-10V drivers are NEMA 410 compliant.

### PoE

Depending on the PoE manufacturer selected, Lumenwerx will install the node in factory as either integral to the luminaire or as a remote module. Factory programming of the PoE node may or may not enable the following functionalities: lumen package, Duo (tunable white) emergency battery backup, and sensor integration. These must be addressed and evaluated on a case-by-case basis.

### EMERGENCY

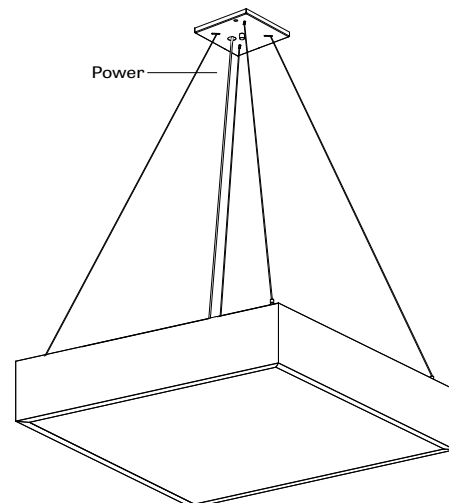
Factory installed long life, high temperature, maintenance-free Lithium-Ion battery pack with self-test functionality, test switch and charge indicator. Minimum of 90 minutes operation, up to 10W (25°C) emergency lighting output and recharge time of 24 hours.

### MOUNTING OPTION

Fixtures are pendant-mounted, using aircraft cables. Unless otherwise specified, Lumenwerx provides the following hardware:

**For cable-mounted fixtures** - 5SWAC36, 5" square white canopy with a 36" cable.

[For all other options, see our website for a detailed Pendant Mounting Guide](#)



# POP COLOR SQUARE 2x2

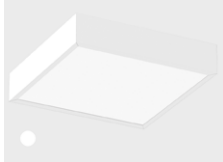


PENDANT DIRECT/INDIRECT  
STATIC WHITE

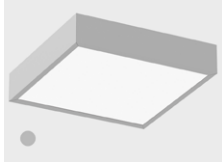
## FINISH

**Interior** - 95%, reflective, matte white powder coating

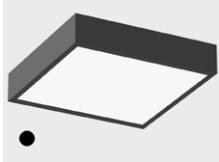
**Exterior** - Side trim is offered in a range of vibrant color powder coating.



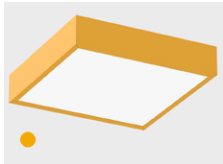
W - Matte white



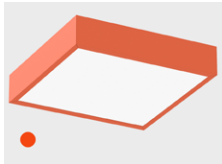
AL - Aluminum



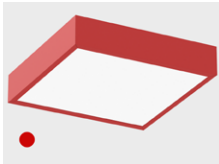
B - Matte black



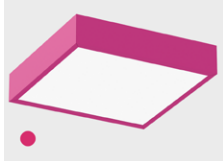
RAL 1028 - Yellow



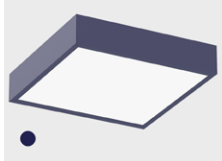
RAL 2004 - Orange



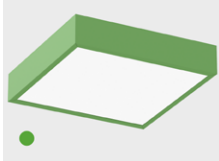
RAL 3020 - Red



RAL 4010 - Magenta



RAL 5002 - Blue



RAL 6018 - Green

## CONSTRUCTION

**Housing** - Welded aluminum extrusion .125in thick, wide variety of colored powder coating

## WEIGHT

**SQ 22 Flush, 1D, 2D** - 22.76lbs - 10.34kg

**SQ 22 2R, 3D, 4D** - 23.96lbs - 10.88kg

## CERTIFICATION

**ETL** - Rated for Indoor Dry/Damp locations. Conforms to UL Standard 1598 and certified to CAN/CSA Standard C22.2 No. 250.0.

## WARRANTY

Lumenwerx provides a five-year limited warranty of electrical and mechanical performance of the luminaires, including the LED boards, drivers, and auxiliary electronics. Lumenwerx will repair or replace defective luminaires or components at our discretion, provided they have been installed and operated in accordance with our specifications. Other limitations apply, please refer to the full warranty on our website.