

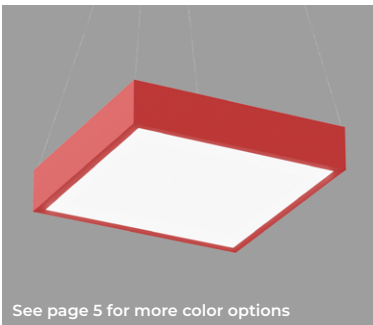
POP COLOR SQUARE 2x2



PENDANT DIRECT
STATIC WHITE



Project: _____
Type: _____

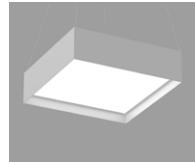


See page 5 for more color options

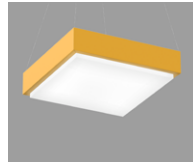
Flush lens

DESCRIPTION

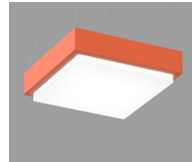
POP Color features a painted housing with a uniformly luminous diffuser that sits flush, regressed or drops up to 4" below. POP Color delivers up to 110 LPW and is available in nine standard housing colors.



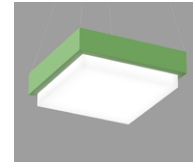
2" regressed lens



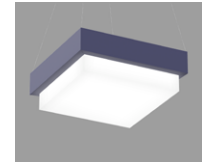
1" drop lens



2" drop lens



3" drop lens



4" drop lens

Order Guide

Up to 110 lm/W performance

| LUMINAIRE ID | DISTRIBUTION | SIZE | OPTIC | LENS POSITION | LIGHT SOURCE ¹ | CRI | DIRECT LUMEN PACKAGE |
|---|--------------|-------------------|--------------------------------|---|---|----------------------------|---|
| | D | 2FTX2FT | ULO | | SW | | |
| PCSQP - Pop Color Square Pendant PCSQRGP - Pop Color Square Regressed Lens Pendant | D - Direct | 2FTX2FT - 2' X 2' | ULO - Uniform Lambertian Optic | PCSQP FH - Flush 1D - 1" drop 2D - 2" drop 3D - 3" drop 4D - 4" drop PCSQRGP 2R - 2" regressed | SW - Static white ¹ Chromawerx Sola and Duo also available. Consult other spec sheet. | 80 - 80 CRI 90 - 90 CRI | 2500 - Min. low output 2500lm 3500 - Medium output 3500lm 4500 - Max. high output 4500lm ##### - Other required lm |

| INDIRECT LUMEN PACKAGE | COLOR TEMP. | VOLTAGE | DRIVER ³ | ELECTRICAL |
|------------------------|--|--|---|--|
| NA | | | | |
| NA - Not applicable | 27 - 2700K 30 - 3000K 35 - 3500K 40 - 4000K | 120 - 120V 277 - 277V UNV - 120V-277V 347 ² - 347V ² Available with D1 only. | D1 - 1% 0-10V DA ⁴ - DALI LDE1 ⁴ - Lutron Hi-lume 1% Eco ELD1 - eldoLED 1% ECOdrive 0-10V ELDO - eldoLED 0.1% SOLOdrive 0-10V ³ PoE (Power-over-Ethernet) compatible. Consult factory for details. ⁴ On-site commissioning is required. | 1 - 1 circuit +EB ⁵ - Emergency battery pack +GTD ⁵ - Generator transfer device ⁵ Not available with 347V. |

| MOUNTING | POWER CORD COLOR | FINISH | OPTIONS |
|---|--|--|---|
| 5SWAC36 | | | |
| 5SWAC36 - Power 5" square white canopy (36" aircraft cable) For all other options refer to our Pendant Mounting Guide | BPC - Black power cord WPC - White power cord | W - Matte white AL - Aluminum B - Matte black RAL 1028 - Yellow RAL 2004 - Orange RAL 3020 - Red RAL 4010 - Magenta RAL 5002 - Blue RAL 6018 - Green CF# - Custom finish specify RAL# | FU120 - Fuse 120V FU277 - Fuse 277V NA - None |

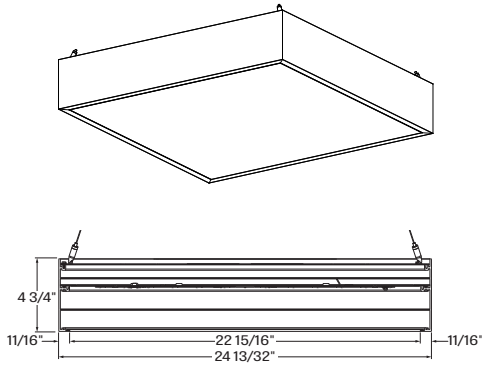
POP COLOR SQUARE 2x2



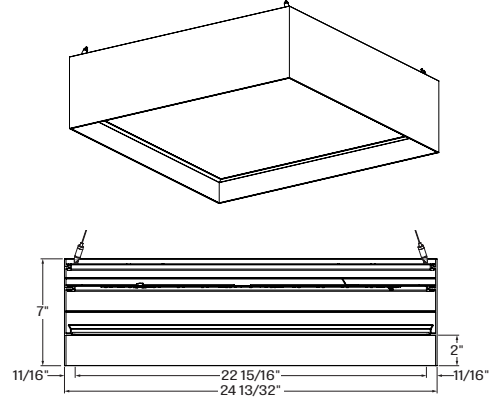
PENDANT DIRECT
STATIC WHITE

Dimensions

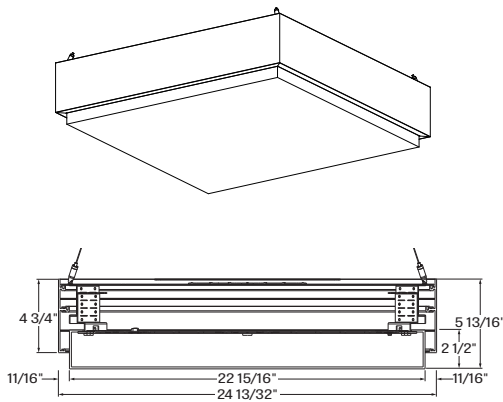
POP COLOR FH - FLUSH



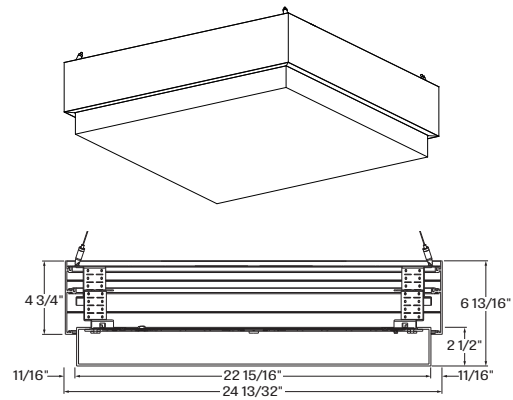
POP COLOR 2R - 2" REGRESSED



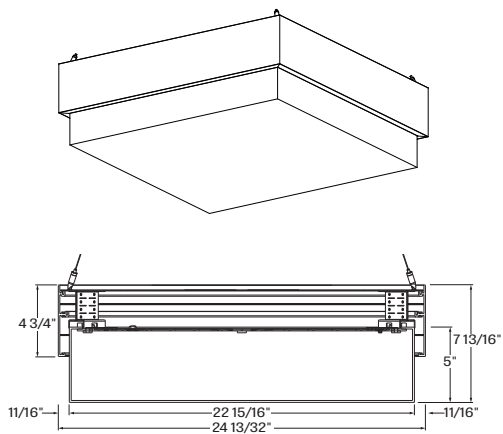
POP COLOR 1D - 1" DROP



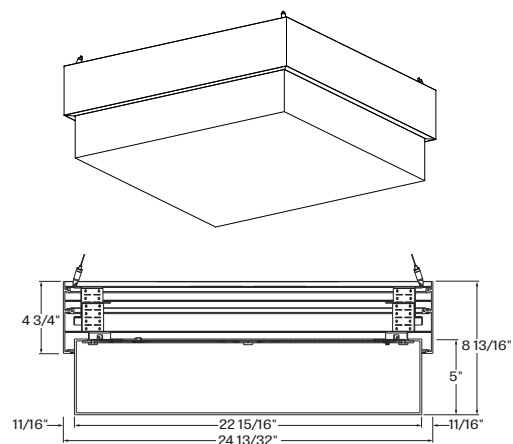
POP COLOR 2D - 2" DROP



POP COLOR 3D - 3" DROP



POP COLOR 4D - 4" DROP

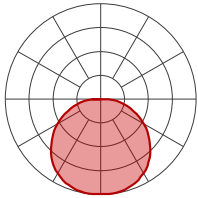


POP COLOR SQUARE 2x2



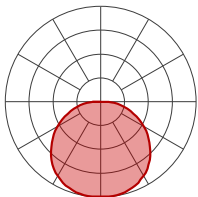
PENDANT DIRECT
STATIC WHITE

Photometrics



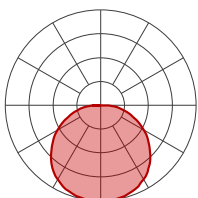
2500 LUMEN AT 80 CRI - LOW OUTPUT

| LED OUTPUT | COLOR TEMP | WATTS | NOMINAL DELIVERED LUMENS | EFFICACY LPW |
|------------|------------|-------|--------------------------|--------------|
| Low output | 2700K | 25 | 2500 | 101 |
| Low output | 3000K | 24.5 | 2500 | 103 |
| Low output | 3500K | 23.5 | 2500 | 106 |
| Low output | 4000K | 22.5 | 2500 | 110 |



3500 LUMEN AT 80 CRI - MEDIUM OUTPUT

| LED OUTPUT | COLOR TEMP | WATTS | NOMINAL DELIVERED LUMENS | EFFICACY LPW |
|---------------|------------|-------|--------------------------|--------------|
| Medium output | 2700K | 35.5 | 3500 | 98 |
| Medium output | 3000K | 35 | 3500 | 100 |
| Medium output | 3500K | 33.5 | 3500 | 104 |
| Medium output | 4000K | 32.5 | 3500 | 107 |



4500 LUMEN AT 80 CRI - HIGH OUTPUT

| LED OUTPUT | COLOR TEMP | WATTS | NOMINAL DELIVERED LUMENS | EFFICACY LPW |
|-------------|------------|-------|--------------------------|--------------|
| High output | 2700K | 47 | 4500 | 96 |
| High output | 3000K | 46 | 4500 | 98 |
| High output | 3500K | 44.5 | 4500 | 101 |
| High output | 4000K | 43.5 | 4500 | 104 |

POP COLOR SQUARE 2x2



PENDANT DIRECT
STATIC WHITE

Technical Specifications

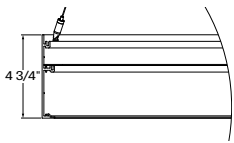
OPTIC

Uniform Efficiency Lambertian Optic (ULO)

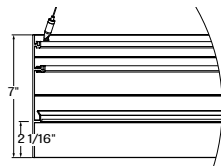
Made of formed impact modified white PMMA, the optic provides an even light distribution with up to 88% transmission. Its unique enclosed shell design protects LEDs against Electrostatic Discharge and dust while its back surface project a soft glow on the mounting surface.

LENS POSITION

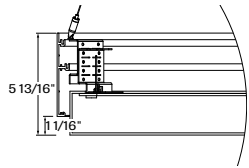
Pop Color square 22 pendant is available in 6 lens configurations.



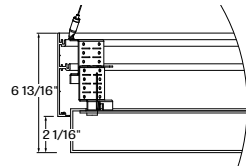
PCSQP + FH - Flush lens



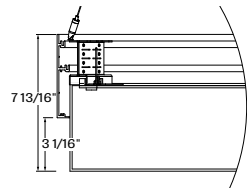
PCSQRGP + 2R - 2" regressed lens



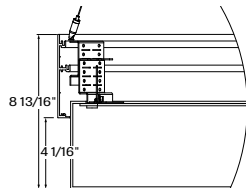
PCSQP + 1D - 1" drop lens



PCSQP + 2D - 2" drop lens



PCSQP + 3D - 3" drop lens



PCSQP + 4D - 4" drop lens

LIGHT SOURCE

Custom array of mid-flux LEDs are mounted directly to the housing for optimal thermal performance. Available in 2700K, 3000K, 3500K and 4000K with a minimum 80 CRI and an option for 90 CRI with elevated R9 value. Color consistency maintained to within 3 SDCM. LEDs operated at reduced drive current to optimize efficacy and lumen maintenance. All LEDs have been tested in accordance with IESNA LM-80-08 and the results have shown L80 lumen maintenance greater than 60,000 hours. Absolute product photometry is measured and presented in accordance with IESNA LM-79, unless otherwise indicated.

ELECTRICAL

Factory-set, adjustable output current LED driver with universal (120-277VAC) input. Dimmable from 100% to 1% with 0-10V dimming control. Rated life (90% survivorship) of 50,000 hours at 50°C max. ambient (and 70°C max. case) temperature. At maximum driver load: Efficiency > 84%, PF > 0.9, THD < 20%. Other specifiable options include Lutron Hi-Lume 1% (specify 2-wire, or Ecosystem Dim-to-Off), eldoLED 1% ECOdrive 0-10V, eldoLED 0.1% SOLOdrive 0-10V, and DALI protocol drivers. All of our standard 0-10V drivers are NEMA 410 compliant.

PoE

Depending on the PoE manufacturer selected, Lumenwerx will install the node in factory as either integral to the luminaire or as a remote module. Factory programming of the PoE node may or may not enable the following functionalities: lumen package, Duo (tunable white) emergency battery backup, and sensor integration. These must be addressed and evaluated on a case-by-case basis.

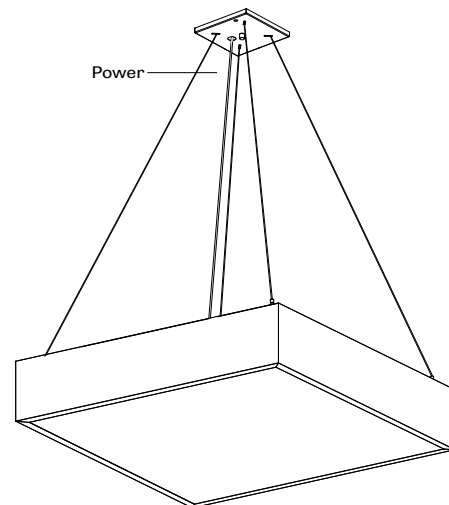
EMERGENCY

Factory installed long life, high temperature, maintenance-free Lithium-Ion battery pack with self-test functionality, test switch and charge indicator. Minimum of 90 minutes operation, up to 10W (25°C) emergency lighting output and recharge time of 24 hours.

MOUNTING OPTION

Fixtures are pendant-mounted, using aircraft cables. Unless otherwise specified, Lumenwerx provides the following hardware: **For cable-mounted fixtures** - 5SWAC36, 5" square white canopy with a 36" cable.

[For all other options, see our website for a detailed Pendant Mounting Guide](#)



POP COLOR SQUARE 2x2

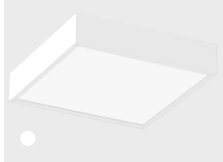


PENDANT DIRECT
STATIC WHITE

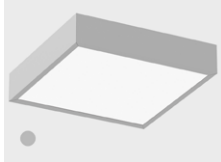
FINISH

Interior - 95%, reflective, matte white powder coating

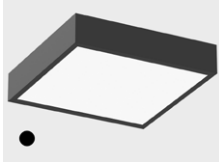
Exterior - Side trim is offered in a range of vibrant color powder coating.



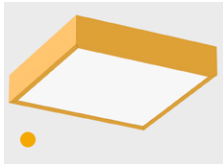
W - Matte white



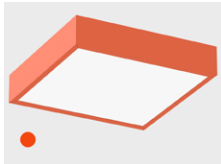
AL - Aluminum



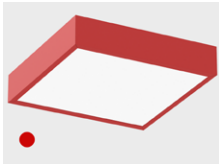
B - Matte black



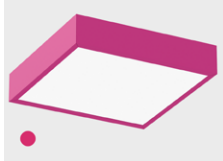
RAL 1028 - Yellow



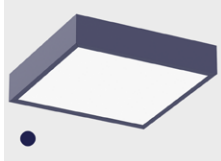
RAL 2004 - Orange



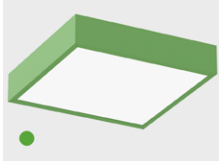
RAL 3020 - Red



RAL 4010 - Magenta



RAL 5002 - Blue



RAL 6018 - Green

CONSTRUCTION

Housing - Welded aluminum extrusion .125in thick, wide variety of colored powder coating

WEIGHT

SQ 22 Flush, 1D, 2D - 22.76lbs - 10.34kg

SQ 22 2R, 3D, 4D - 23.96lbs - 10.88kg

CERTIFICATION

ETL - Rated for Indoor Dry/Damp locations. Conforms to UL Standard 1598 and certified to CAN/CSA Standard C22.2 No. 250.0.

WARRANTY

Lumenwerx provides a five-year limited warranty of electrical and mechanical performance of the luminaires, including the LED boards, drivers, and auxiliary electronics. Lumenwerx will repair or replace defective luminaires or components at our discretion, provided they have been installed and operated in accordance with our specifications. Other limitations apply, please refer to the full warranty on our website.