

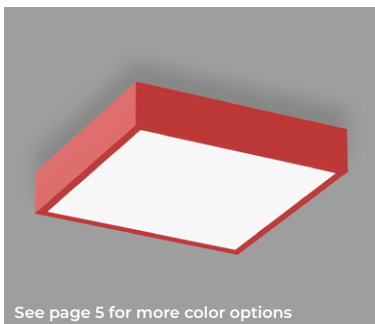
# POP COLOR SQUARE 2x2



SURFACE  
STATIC WHITE



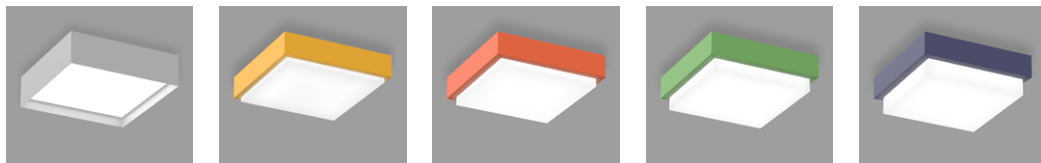
Project: \_\_\_\_\_  
Type: \_\_\_\_\_



See page 5 for more color options

## DESCRIPTION

POP Color features a painted housing with a uniformly luminous diffuser that sits flush, regressed or drops up to 4" below. POP Color delivers up to 110 LPW and is available in nine standard housing colors.



Flush lens

2" regressed lens

1" drop lens

2" drop lens

3" drop lens

4" drop lens

## Order Guide

Up to 110 lm/W performance

LUMINAIRE ID	SIZE	OPTIC	LENS POSITION	LIGHT SOURCE <sup>1</sup>	CRI	LUMEN PACKAGE
	<b>2FTX2FT</b>	<b>ULO</b>		<b>SW</b>		
<b>PCSQS</b> - Pop Color Square Surface <b>PCSQRGS</b> - Pop Color Square Regressed Lens Surface	<b>2FTX2FT</b> - 2' X 2'	<b>ULO</b> - Uniform Lambertian Optic	<b>PCSQS</b> <b>FH</b> - Flush <b>1D</b> - 1" drop <b>2D</b> - 2" drop <b>3D</b> - 3" drop <b>4D</b> - 4" drop  <b>PCSQRGS</b> <b>2R</b> - 2" regressed	<b>SW</b> - Static white  <sup>1</sup> Chromawerx Sola and Duo also available. Consult other spec sheet.	<b>80</b> - 80 CRI <b>90</b> - 90 CRI	<b>2500</b> - Min. low output 2500lm <b>3500</b> - Medium output 3500lm <b>4500</b> - Max. high output 4500lm <b>####</b> - Other required lm

COLOR TEMP.	VOLTAGE	DRIVER <sup>3</sup>	ELECTRICAL	MOUNTING
				<b>SUR</b>
<b>27</b> - 2700K <b>30</b> - 3000K <b>35</b> - 3500K <b>40</b> - 4000K	<b>120</b> - 120V <b>277</b> - 277V <b>UNV</b> - 120V-277V <b>347</b> <sup>2</sup> - 347V  <sup>2</sup> Available with D1 only.	<b>D1</b> - 1% 0-10V <b>DA</b> <sup>4</sup> - DALI <b>LDE1</b> <sup>4</sup> - Lutron Hi-lume 1% Eco <b>ELD1</b> - eldoLED 1% ECOdrive 0-10V <b>ELDO</b> - eldoLED 0.1% SOLOdrive 0-10V  <sup>3</sup> PoE (Power-over-Ethernet) compatible. Consult factory for details. <sup>4</sup> On-site commissioning is required.	<b>1</b> - 1 circuit <b>+EB</b> <sup>5</sup> - Emergency battery pack <b>+GTD</b> <sup>5</sup> - Generator transfer device  <sup>5</sup> Not available with 347V.	<b>SUR</b> - Surface mount

FINISH	OPTIONS
<b>W</b> - Matte white <b>AL</b> - Aluminum <b>B</b> - Matte black <b>RAL 1028</b> - Yellow <b>RAL 2004</b> - Orange <b>RAL 3020</b> - Red <b>RAL 4010</b> - Magenta <b>RAL 5002</b> - Blue <b>RAL 6018</b> - Green <b>CF#</b> - Custom finish specify RAL#	<b>FU120</b> - Fuse 120V <b>FU277</b> - Fuse 277V <b>NA</b> - None

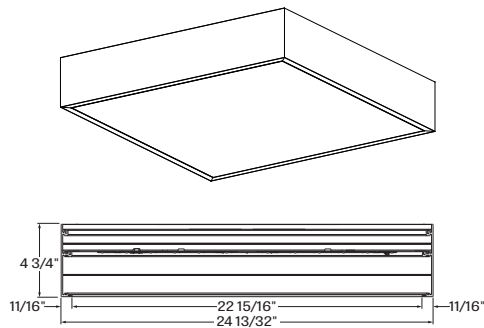
# POP COLOR SQUARE 2x2



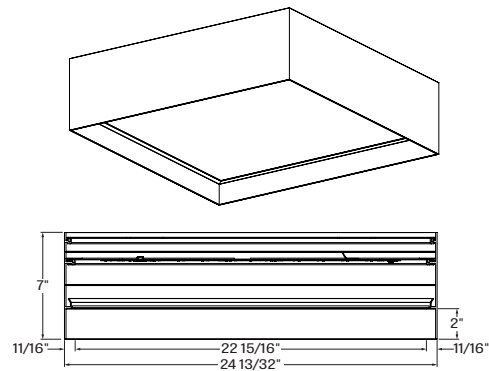
SURFACE  
STATIC WHITE

## Dimensions

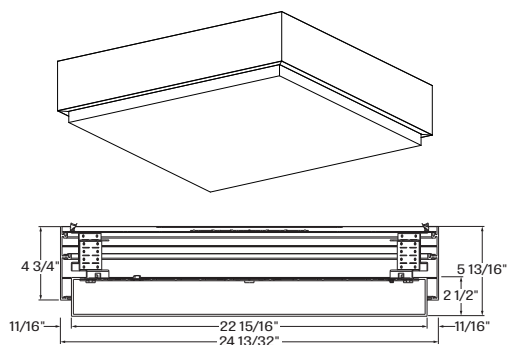
POP COLOR FH - FLUSH



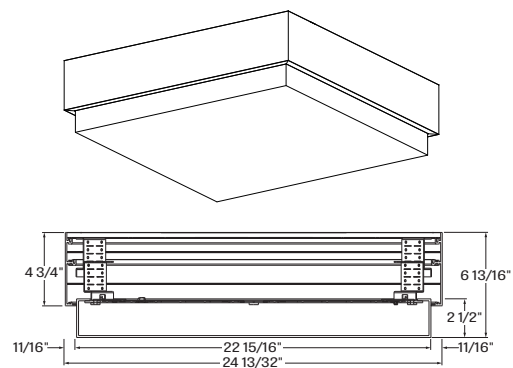
POP COLOR 2R - 2" REGRESSED



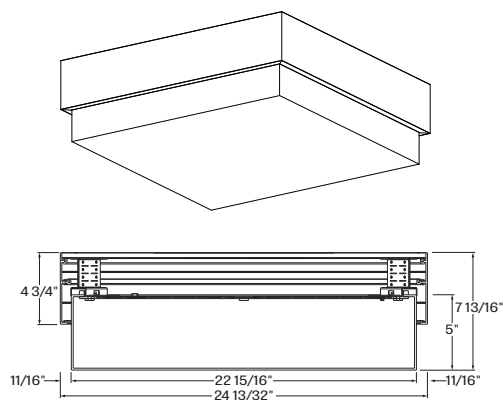
POP COLOR 1D - 1" DROP



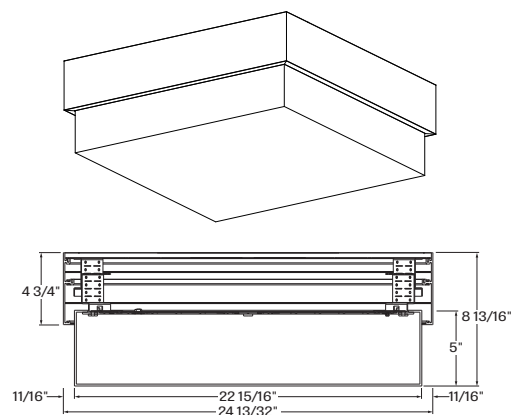
POP COLOR 2D - 2" DROP



POP COLOR 3D - 3" DROP



POP COLOR 4D - 4" DROP

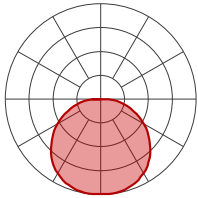


# POP COLOR SQUARE 2x2



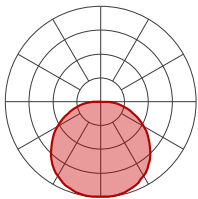
SURFACE  
STATIC WHITE

## Photometrics



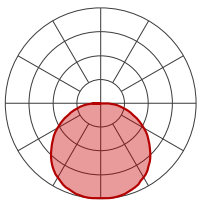
2500 LUMEN AT 80 CRI - LOW OUTPUT

LED OUTPUT	COLOR TEMP	WATTS	NOMINAL DELIVERED LUMENS	EFFICACY LPW
Low output	2700K	25	2500	101
Low output	3000K	24.5	2500	103
Low output	3500K	23.5	2500	106
Low output	4000K	22.5	2500	110



3500 LUMEN AT 80 CRI - MEDIUM OUTPUT

LED OUTPUT	COLOR TEMP	WATTS	NOMINAL DELIVERED LUMENS	EFFICACY LPW
Medium output	2700K	35.5	3500	98
Medium output	3000K	35	3500	100
Medium output	3500K	33.5	3500	104
Medium output	4000K	32.5	3500	107



4500 LUMEN AT 80 CRI - HIGH OUTPUT

LED OUTPUT	COLOR TEMP	WATTS	NOMINAL DELIVERED LUMENS	EFFICACY LPW
High output	2700K	47	4500	96
High output	3000K	46	4500	98
High output	3500K	44.5	4500	101
High output	4000K	43.5	4500	104

SURFACE  
STATIC WHITE

## Technical Specifications

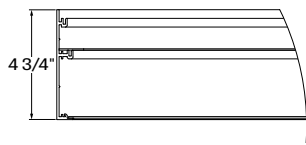
### OPTIC

#### Uniform Efficiency Lambertian Optic (ULO)

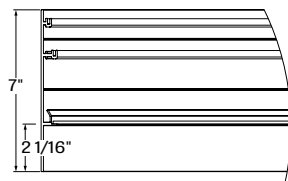
Made of formed impact modified white PMMA, the optic provides an even light distribution with up to 88% transmission. Its unique enclosed shell design protects LEDs against Electrostatic Discharge and dust while its back surface project a soft glow on the mounting surface.

### LENS POSITION

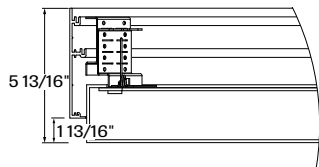
Pop Color square 22 surface is available in 6 lens configurations.



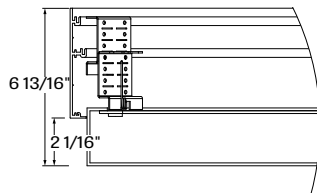
PCSQS + FH - Flush lens



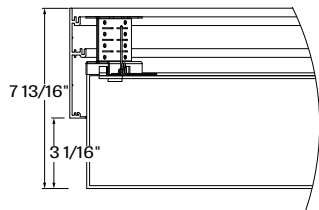
PCSQRGS + 2R - 2" regressed lens



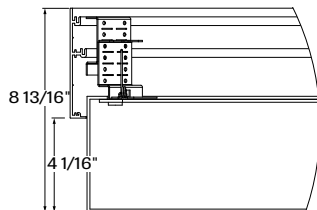
PCSQS + 1D - 1" drop lens



PCSQRGS + 2D - 2" drop lens



PCSQS + 3D - 3" drop lens



PCSQS + 4D - 4" drop lens

### LIGHT SOURCE

Custom array of mid-flux LEDs are mounted directly to the housing for optimal thermal performance. Available in 2700K, 3000K, 3500K and 4000K with a minimum 80 CRI and an option for 90 CRI with elevated R9 value. Color consistency maintained to within 3 SDCM. LEDs operated at reduced drive current to optimize efficacy and lumen maintenance.

All LEDs have been tested in accordance with IESNA LM-80-08 and the results have shown L80 lumen maintenance greater than 60,000 hours. Absolute product photometry is measured and presented in accordance with IESNA LM-79, unless otherwise indicated.

### ELECTRICAL

Factory-set, adjustable output current LED driver with universal (120-277VAC) input. Dimmable from 100% to 1% with 0-10V dimming control. Rated life (90% survivorship) of 50,000 hours at 50°C max. ambient (and 70°C max. case) temperature. At maximum driver load: Efficiency > 84%, PF > 0.9, THD < 20%. Other specifiable options include Lutron Hi-Lume 1% (specify 2-wire, or Ecosystem Dim-to-Off), eldoLED 1% ECoDrive 0-10V, eldoLED 0.1% SOLOdrive 0-10V, and DALI protocol drivers. All of our standard 0-10V drivers are NEMA 410 compliant.

### PoE

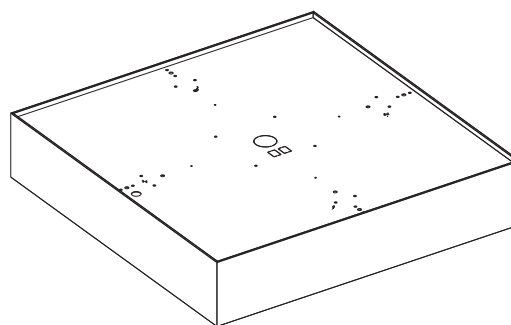
Depending on the PoE manufacturer selected, Lumenwerx will install the node in factory as either integral to the luminaire or as a remote module. Factory programming of the PoE node may or may not enable the following functionalities: lumen package, Duo (tunable white) emergency battery backup, and sensor integration. These must be addressed and evaluated on a case-by-case basis.

### EMERGENCY

Factory installed long life, high temperature, maintenance-free Lithium-Ion battery pack with self-test functionality, test switch and charge indicator. Minimum of 90 minutes operation, up to 10W (25°C) emergency lighting output and recharge time of 24 hours.

### MOUNTING OPTION

Fixtures can be mounted directly to T-bar, drywall and hard surface ceilings. Mounting hardware supplied by others.



SUR - Surface mount

# POP COLOR SQUARE 2x2

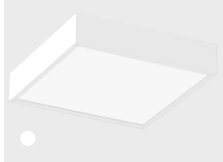


SURFACE  
STATIC WHITE

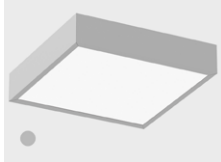
## FINISH

**Interior** - 95%, reflective, matte white powder coating

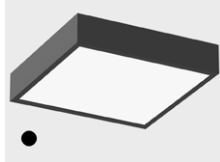
**Exterior** - Side trim is offered in a range of vibrant color powder coating.



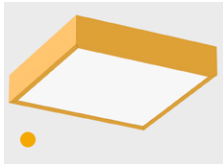
W - Matte white



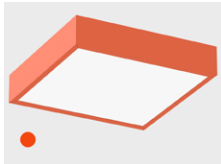
AL - Aluminum



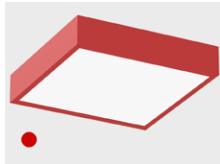
B - Matte black



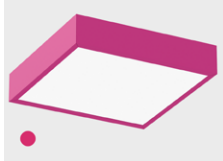
RAL 1028 - Yellow



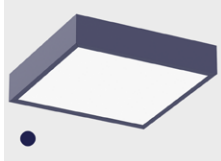
RAL 2004 - Orange



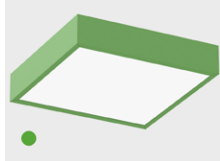
RAL 3020 - Red



RAL 4010 - Magenta



RAL 5002 - Blue



RAL 6018 - Green

## CONSTRUCTION

**Housing** - Welded aluminum extrusion .125in thick, wide variety of colored powder coating

## WEIGHT

**SQ 22 Flush, 1D, 2D** - 22.76lbs - 10.34kg

**SQ 22 2R, 3D, 4D** - 23.96lbs - 10.88kg

## CERTIFICATION

**ETL** - Rated for Indoor Dry/Damp locations. Conforms to UL Standard 1598 and certified to CAN/CSA Standard C22.2 No. 250.0.

## WARRANTY

Lumenwerx provides a five-year limited warranty of electrical and mechanical performance of the luminaires, including the LED boards, drivers, and auxiliary electronics. Lumenwerx will repair or replace defective luminaires or components at our discretion, provided they have been installed and operated in accordance with our specifications. Other limitations apply, please refer to the full warranty on our website.