

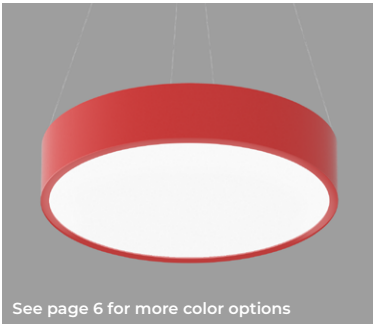
POP COLOR ROUND 24



PENDANT DIRECT/INDIRECT
STATIC WHITE



Project: _____
Type: _____



See page 6 for more color options

Flush lens



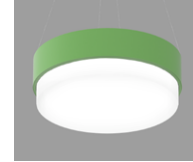
2" regressed lens



1" drop lens



2" drop lens



3" drop lens



4" drop lens

DESCRIPTION

POP Color features a painted housing with a uniformly luminous diffuser that sits flush, regressed or drops up to 4" below. POP Color delivers up to 111 LPW and is available in nine standard housing colors.

Order Guide

Up to 111 lm/W performance

LUMINAIRE ID	DISTRIBUTION ¹	SIZE	OPTIC	LENS POSITION	LIGHT SOURCE ²	CRI	DIRECT LUMEN PACKAGE
	DI	24IN	ULO		SW		
PCROP - Pop Color Round Pendant PCRORGP - Pop Color Round Regressed Lens Pendant	DI - Direct/Indirect ¹ The lens on the indirect side is clear.	24IN - Ø 24"	ULO - Uniform Lambertian Optic	PCROP FH - Flush 1D - 1" drop 2D - 2" drop 3D - 3" drop 4D - 4" drop PCRORGP 2R - 2" regressed	SW - Static white ² Chromawerx Sola and Duo also available. Consult other spec sheet.	80 - 80 CRI 90 - 90 CRI	2500 - Min. low output 2500lm 3500 - Medium output 3500lm #### - Other required lm

INDIRECT LUMEN PACKAGE	COLOR TEMP.	VOLTAGE	DRIVER ⁴	ELECTRICAL
750 - Min. low output 750lm 900 - Medium output 900lm 1100 - Max. high output 1100lm #### - Other required lm	27 - 2700K 30 - 3000K 35 - 3500K 40 - 4000K	120 - 120V 277 - 277V UNV - 120V-277V 347 ³ - 347V ³ Available with D1 only.	D1 - 1% 0-10V DA ⁵ - DALI LDE1 ⁵ - Lutron Hi-Lume 1% Eco ELD1 - eldoLED 1% ECOdrive 0-10V ELDO - eldoLED 0.1% SOLOdrive 0-10V ⁴ PoE (Power-over-Ethernet) compatible. Consult factory for details. ⁵ On-site commissioning is required.	1 - 1 circuit 2 - 2 circuits +EB ⁶ - Emergency battery pack +GTD ⁶ - Generator transfer device ⁶ Not available with 347V.

MOUNTING	POWER CORD COLOR	FINISH	OPTIONS
5WAC36 5WAC36 - Power 5" white canopy (36" aircraft cable) For all other options refer to our Pendant Mounting Guide	BPC - Black power cord WPC - White power cord	W - Matte white AL - Aluminum B - Matte black RAL 1028 - Yellow RAL 2004 - Orange RAL 3020 - Red RAL 4010 - Magenta RAL 5002 - Blue RAL 6018 - Green CF# - Custom finish specify RAL#	FU120 - Fuse 120V FU277 - Fuse 277V NA - None

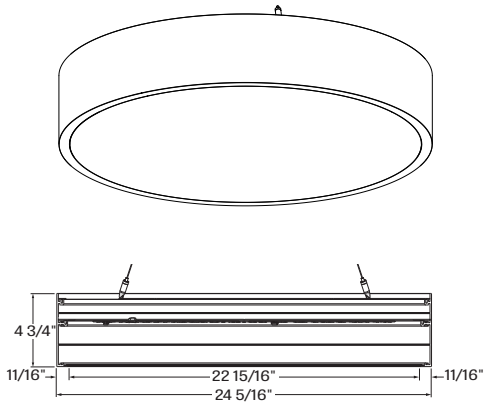
POP COLOR ROUND 24



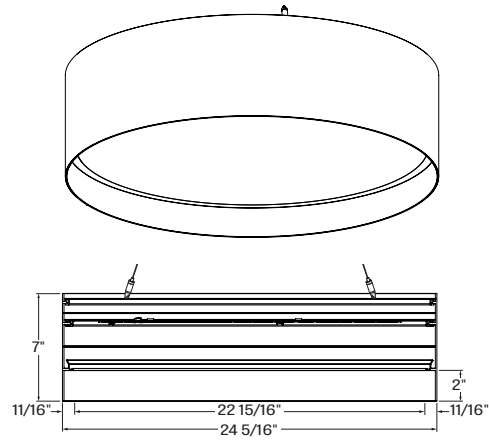
PENDANT DIRECT/INDIRECT
STATIC WHITE

Dimensions

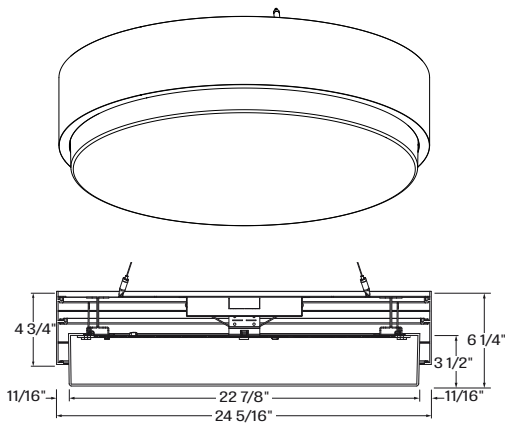
POP COLOR FH - FLUSH



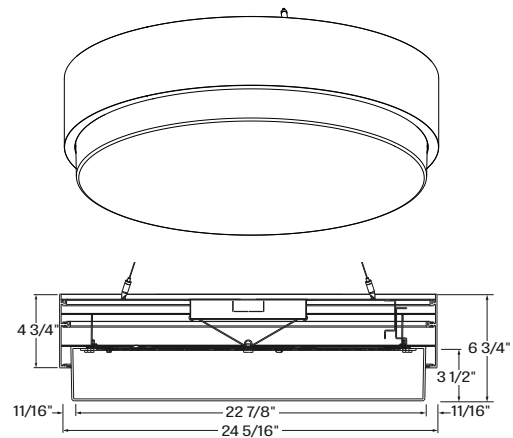
POP COLOR 2R - 2" REGRESSED



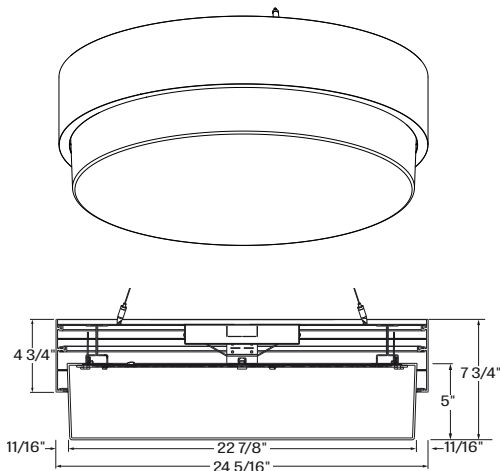
POP COLOR 1D - 1" DROP



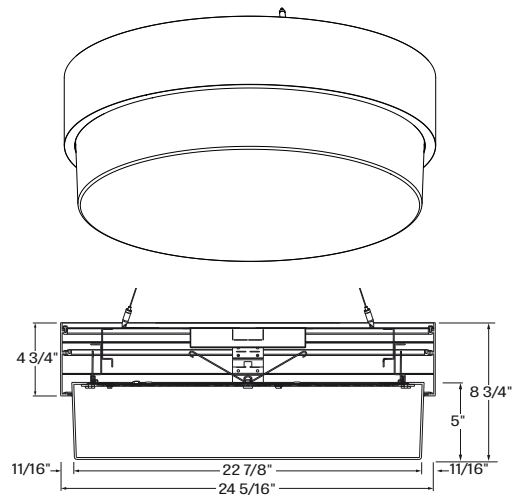
POP COLOR 2D - 2" DROP



POP COLOR 3D - 3" DROP



POP COLOR 4D - 4" DROP



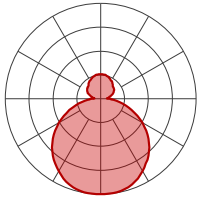
POP COLOR ROUND 24



PENDANT DIRECT/INDIRECT
STATIC WHITE

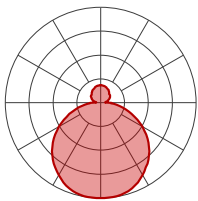
Photometrics

Performance at Indirect 750 Lumen



2500 LUMEN AT 80 CRI - LOW OUTPUT

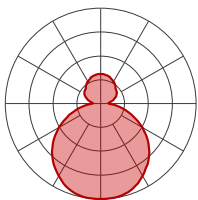
LED OUTPUT	COLOR TEMP	WATTS	DIR. LUMENS	IND. LUMENS	TOTAL NOMINAL DELIVERED LUMENS	EFFICACY LPW
Low output	2700K	32	2500	750	3250	102
Low output	3000K	31	2500	750	3250	104
Low output	3500K	30.5	2500	750	3250	107
Low output	4000K	29.5	2500	750	3250	111



3500 LUMEN AT 80 CRI - MEDIUM OUTPUT

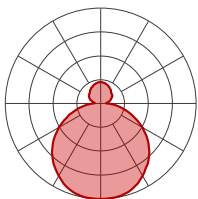
LED OUTPUT	COLOR TEMP	WATTS	DIR. LUMENS	IND. LUMENS	TOTAL NOMINAL DELIVERED LUMENS	EFFICACY LPW
Medium output	2700K	42.5	3500	750	4250	100
Medium output	3000K	41.5	3500	750	4250	102
Medium output	3500K	40.5	3500	750	4250	105
Medium output	4000K	39	3500	750	4250	109

Performance at Indirect 900 Lumen



2500 LUMEN AT 80 CRI - LOW OUTPUT

LED OUTPUT	COLOR TEMP	WATTS	DIR. LUMENS	IND. LUMENS	TOTAL NOMINAL DELIVERED LUMENS	EFFICACY LPW
Low output	2700K	33.5	2500	900	3400	102
Low output	3000K	32.5	2500	900	3400	104
Low output	3500K	32	2500	900	3400	107
Low output	4000K	30.5	2500	900	3400	111



3500 LUMEN AT 80 CRI - MEDIUM OUTPUT

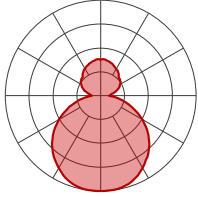
LED OUTPUT	COLOR TEMP	WATTS	DIR. LUMENS	IND. LUMENS	TOTAL NOMINAL DELIVERED LUMENS	EFFICACY LPW
Medium output	2700K	44	3500	900	4400	100
Medium output	3000K	43	3500	900	4400	102
Medium output	3500K	42	3500	900	4400	105
Medium output	4000K	40.5	3500	900	4400	109

POP COLOR ROUND 24



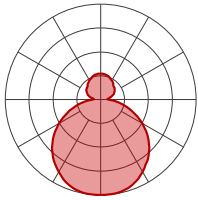
PENDANT DIRECT/INDIRECT
STATIC WHITE

Performance at Indirect 1100 Lumen



2500 LUMEN AT 80 CRI - LOW OUTPUT

LED OUTPUT	COLOR TEMP	WATTS	DIR. LUMENS	IND. LUMENS	TOTAL NOMINAL DELIVERED LUMENS	EFFICACY LPW
Low output	2700K	35.5	2500	1100	3600	102
Low output	3000K	34.5	2500	1100	3600	104
Low output	3500K	33.5	2500	1100	3600	108
Low output	4000K	32.5	2500	1100	3600	111



3500 LUMEN AT 80 CRI - MEDIUM OUTPUT

LED OUTPUT	COLOR TEMP	WATTS	DIR. LUMENS	IND. LUMENS	TOTAL NOMINAL DELIVERED LUMENS	EFFICACY LPW
Medium output	2700K	46	3500	1100	4600	100
Medium output	3000K	45	3500	1100	4600	102
Medium output	3500K	44	3500	1100	4600	105
Medium output	4000K	42	3500	1100	4600	109

POP COLOR ROUND 24



PENDANT DIRECT/INDIRECT
STATIC WHITE

Technical Specifications

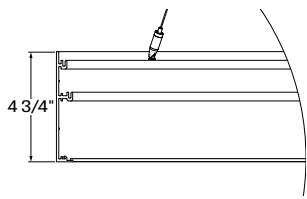
OPTIC

Uniform Efficiency Lambertian Optic (ULO)

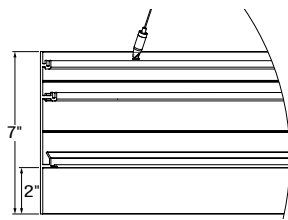
Made of formed impact modified white PMMA, the optic provides an even light distribution with up to 88% transmission. Its unique enclosed shell design protects LEDs against Electrostatic Discharge and dust while its back surface project a soft glow on the mounting surface.

LENS POSITION

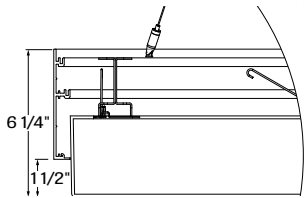
Pop Color Round 24 pendant is available in 6 lens configurations.



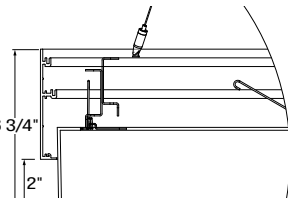
PCROP + FH - Flush lens



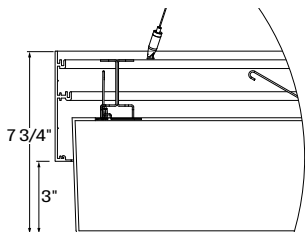
PCRORGP + 2R - 2" regressed lens



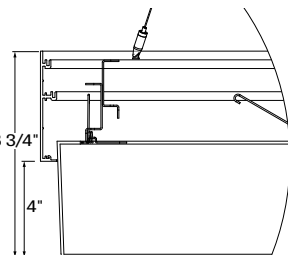
PCROP + 1D - 1" drop lens



PCROP + 2D - 2" drop lens



PCROP + 3D - 3" drop lens



PCROP + 4D - 4" drop lens

LIGHT SOURCE

Custom array of mid-flux LEDs are mounted directly to the housing for optimal thermal performance. Available in 2700K, 3000K, 3500K and 4000K with a minimum 80 CRI and an option for 90 CRI with elevated R9 value. Color consistency maintained to within 3 SDCM. LEDs operated at reduced drive current to optimize efficacy and lumen maintenance.

All LEDs have been tested in accordance with IESNA LM-80-08 and the results have shown L80 lumen maintenance greater than 60,000 hours. Absolute product photometry is measured and presented in accordance with IESNA LM-79, unless otherwise indicated.

ELECTRICAL

Factory-set, adjustable output current LED driver with universal (120-277VAC) input. Dimmable from 100% to 1% with 0-10V dimming control. Rated life (90% survivorship) of 50,000 hours at 50°C max. ambient (and 70°C max. case) temperature. At maximum driver load: Efficiency > 84%, PF > 0.9, THD < 20%. Other specifiable options include Lutron Hi-Lume 1% (specify 2-wire, or Ecosystem Dim-to-Off), eldoLED 1% ECoDrive 0-10V, eldoLED 0.1% SOLOdrive 0-10V, and DALI protocol drivers. All of our standard 0-10V drivers are NEMA 410 compliant.

PoE

Depending on the PoE manufacturer selected, Lumenwerx will install the node in factory as either integral to the luminaire or as a remote module. Factory programming of the PoE node may or may not enable the following functionalities: lumen package, Duo (tunable white) emergency battery backup, and sensor integration. These must be addressed and evaluated on a case-by-case basis.

EMERGENCY

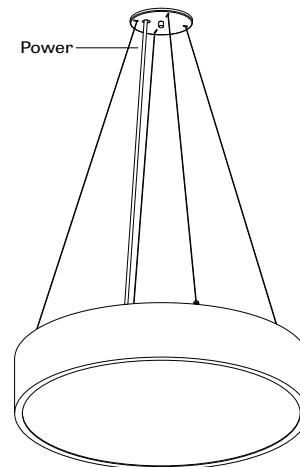
Factory installed long life, high temperature, maintenance-free Lithium-Ion battery pack with self-test functionality, test switch and charge indicator. Minimum of 90 minutes operation, up to 10W (25°C) emergency lighting output and recharge time of 24 hours.

MOUNTING OPTION

Fixtures are pendant-mounted, using aircraft cables. Unless otherwise specified, Lumenwerx provides the following hardware:

For cable-mounted fixtures - 5WAC36, 5" white canopy with a 36" cable.

[For all other options, see our website for a detailed Pendant Mounting Guide](#)



POP COLOR ROUND 24



PENDANT DIRECT/INDIRECT
STATIC WHITE

FINISH

Interior - 95%, reflective, matte white powder coating

Exterior - Side trim is offered in a range of vibrant color powder coating.



W - Matte white



AL - Aluminum



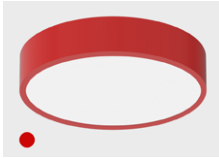
B - Matte black



RAL 1028 - Yellow



RAL 2004 - Orange



RAL 3020 - Red



RAL 4010 - Magenta



RAL 5002 - Blue



RAL 6018 - Green

CONSTRUCTION

Housing - Rolled and seamlessly welded aluminum extrusion
.125in thick, wide variety of colored powder coating

WEIGHT

RD 24 Flush, 1D, 2D - 16.26lbs - 7.39kg

RD 24 2R, 3D, 4D - 17.16lbs - 7.8kg

CERTIFICATION

ETL - Rated for Indoor Dry/Damp locations. Conforms to UL Standard 1598 and certified to CAN/CSA Standard C22.2 No. 250.0.

WARRANTY

Lumenwerx provides a five-year limited warranty of electrical and mechanical performance of the luminaires, including the LED boards, drivers, and auxiliary electronics. Lumenwerx will repair or replace defective luminaires or components at our discretion, provided they have been installed and operated in accordance with our specifications. Other limitations apply, please refer to the full warranty on our website.