

POP COLOR ROUND 24



PENDANT DIRECT
STATIC WHITE



Project: _____
Type: _____



See page 5 for more color options

DESCRIPTION

POP Color features a painted housing with a uniformly luminous diffuser that sits flush, regressed or drops up to 4" below. POP Color delivers up to 109 LPW and is available in nine standard housing colors.



Flush lens

2" regressed lens

1" drop lens

2" drop lens

3" drop lens

4" drop lens

Order Guide

Up to 109 lm/W performance

LUMINAIRE ID	DISTRIBUTION	SIZE	OPTIC	LENS POSITION	LIGHT SOURCE ¹	CRI	DIRECT LUMEN PACKAGE
	D	24IN	ULO		SW		
PCROP - Pop Color Round Pendant PCRORGP - Pop Color Round Regressed Lens Pendant	D - Direct	24IN - Ø 24"	ULO - Uniform Lambertian Optic	PCROP FH - Flush 1D - 1" drop 2D - 2" drop 3D - 3" drop 4D - 4" drop PCRORGP 2R - 2" regressed	SW - Static white ¹ Chromawerx Sola and Duo also available. Consult other spec sheet.	80 - 80 CRI 90 - 90 CRI	2500 - Min. low output 2500lm 3500 - Medium output 3500lm 4500 - Max. high output 4500lm #### - Other required lm

INDIRECT LUMEN PACKAGE	COLOR TEMP.	VOLTAGE	DRIVER ³	ELECTRICAL
NA				
NA - Not applicable	27 - 2700K 30 - 3000K 35 - 3500K 40 - 4000K	120 - 120V 277 - 277V UNV - 120V-277V 347 ² - 347V ² Available with D1 only.	D1 - 1% 0-10V DA ⁴ - DALI LDEI ⁴ - Lutron Hi-Lume 1% Eco ELD1 - eldoLED 1% ECOdrive 0-10V ELD0 - eldoLED 0.1% SOLOdrive 0-10V ³ PoE (Power-over-Ethernet) compatible. Consult factory for details. ⁴ On-site commissioning is required.	1 - 1 circuit +EB ⁵ - Emergency battery pack +GTD ⁵ - Generator transfer device ⁵ Not available with 347V.

MOUNTING	POWER CORD COLOR	FINISH	OPTIONS
5WAC36			
5WAC36 - Power 5" white canopy (36" aircraft cable) For all other options refer to our Pendant Mounting Guide	BPC - Black power cord WPC - White power cord	W - Matte white AL - Aluminum B - Matte black RAL 1028 - Yellow RAL 2004 - Orange RAL 3020 - Red RAL 4010 - Magenta RAL 5002 - Blue RAL 6018 - Green CF# - Custom finish specify RAL#	FU120 - Fuse 120V FU277 - Fuse 277V NA - None

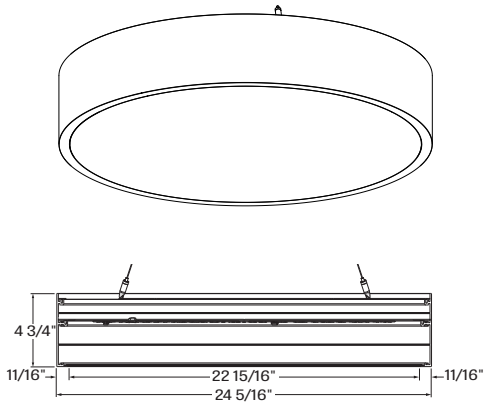
POP COLOR ROUND 24



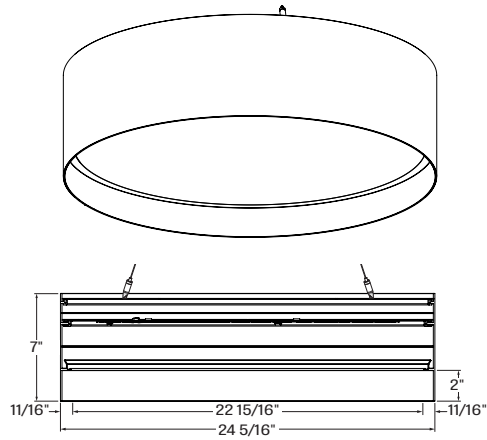
PENDANT DIRECT
STATIC WHITE

Dimensions

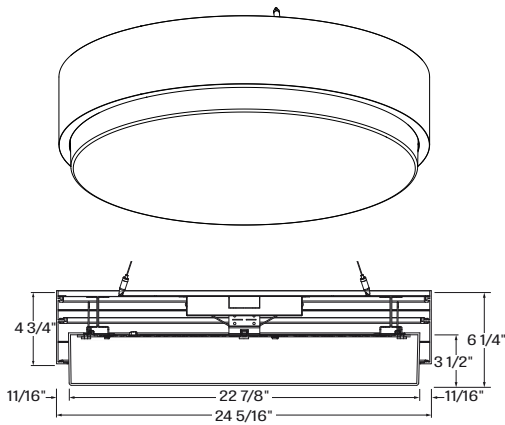
POP COLOR FH - FLUSH



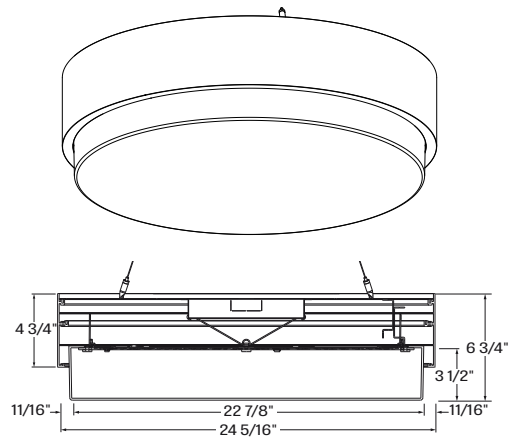
POP COLOR 2R - 2" REGRESSED



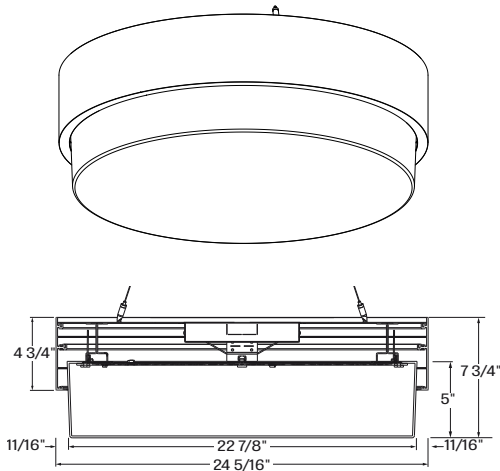
POP COLOR 1D - 1" DROP



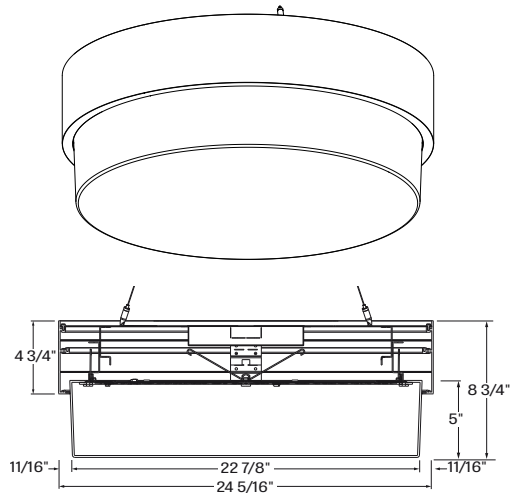
POP COLOR 2D - 2" DROP



POP COLOR 3D - 3" DROP



POP COLOR 4D - 4" DROP

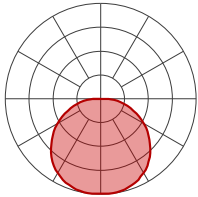


POP COLOR ROUND 24



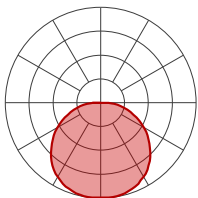
PENDANT DIRECT
STATIC WHITE

Photometrics



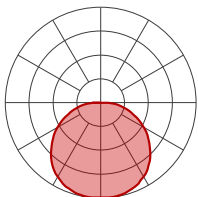
2500 LUMEN AT 80 CRI - LOW OUTPUT

LED OUTPUT	COLOR TEMP	WATTS	NOMINAL DELIVERED LUMENS	EFFICACY LPW
Low output	2700K	25	2500	100
Low output	3000K	24.5	2500	102
Low output	3500K	23.5	2500	106
Low output	4000K	23	2500	109



3500 LUMEN AT 80 CRI - MEDIUM OUTPUT

LED OUTPUT	COLOR TEMP	WATTS	NOMINAL DELIVERED LUMENS	EFFICACY LPW
Medium output	2700K	36.5	3500	96
Medium output	3000K	35.5	3500	98
Medium output	3500K	34.5	3500	102
Medium output	4000K	33.5	3500	105



4500 LUMEN AT 80 CRI - HIGH OUTPUT

LED OUTPUT	COLOR TEMP	WATTS	NOMINAL DELIVERED LUMENS	EFFICACY LPW
High output	2700K	48.5	4500	93
High output	3000K	47.5	4500	95
High output	3500K	46	4500	98
High output	4000K	44.5	4500	101

POP COLOR ROUND 24



PENDANT DIRECT
STATIC WHITE

Technical Specifications

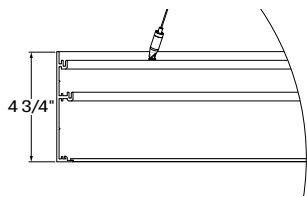
OPTIC

Uniform Efficiency Lambertian Optic (ULO)

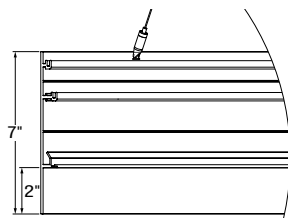
Made of formed impact modified white PMMA, the optic provides an even light distribution with up to 88% transmission. Its unique enclosed shell design protects LEDs against Electrostatic Discharge and dust while its back surface project a soft glow on the mounting surface.

LENS POSITION

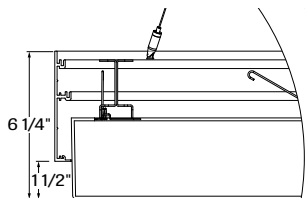
Pop Color Round 24 pendant is available in 6 lens configurations.



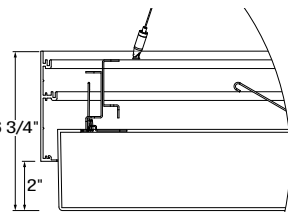
PCROP + FH - Flush lens



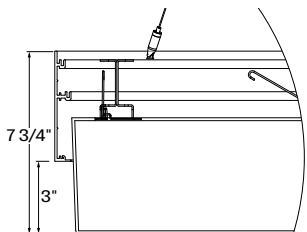
PCRORGP + 2R - 2" regressed lens



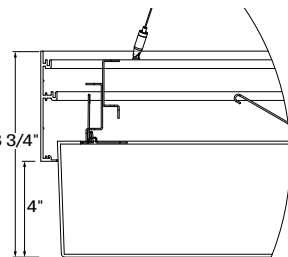
PCROP + 1D - 1" drop lens



PCROP + 2D - 2" drop lens



PCROP + 3D - 3" drop lens



PCROP + 4D - 4" drop lens

LIGHT SOURCE

Custom array of mid-flux LEDs are mounted directly to the housing for optimal thermal performance. Available in 2700K, 3000K, 3500K and 4000K with a minimum 80 CRI and an option for 90 CRI with elevated R9 value. Color consistency maintained to within 3 SDCM. LEDs operated at reduced drive current to optimize efficacy and lumen maintenance.

All LEDs have been tested in accordance with IESNA LM-80-08 and the results have shown L80 lumen maintenance greater than 60,000 hours. Absolute product photometry is measured and presented in accordance with IESNA LM-79, unless otherwise indicated.

ELECTRICAL

Factory-set, adjustable output current LED driver with universal (120-277VAC) input. Dimmable from 100% to 1% with 0-10V dimming control. Rated life (90% survivorship) of 50,000 hours at 50°C max. ambient (and 70°C max. case) temperature. At maximum driver load: Efficiency > 84%, PF > 0.9, THD < 20%. Other specifiable options include Lutron Hi-Lume 1% (specify 2-wire, or Ecosystem Dim-to-Off), eldoLED 1% ECoDrive 0-10V, eldoLED 0.1% SOLOdrive 0-10V, and DALI protocol drivers. All of our standard 0-10V drivers are NEMA 410 compliant.

PoE

Depending on the PoE manufacturer selected, Lumenwerx will install the node in factory as either integral to the luminaire or as a remote module. Factory programming of the PoE node may or may not enable the following functionalities: lumen package, Duo (tunable white) emergency battery backup, and sensor integration. These must be addressed and evaluated on a case-by-case basis.

EMERGENCY

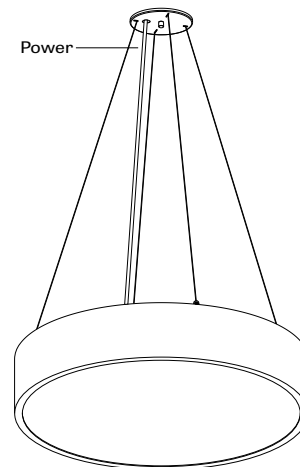
Factory installed long life, high temperature, maintenance-free Lithium-Ion battery pack with self-test functionality, test switch and charge indicator. Minimum of 90 minutes operation, up to 10W (25°C) emergency lighting output and recharge time of 24 hours.

MOUNTING OPTION

Fixtures are pendant-mounted, using aircraft cables. Unless otherwise specified, Lumenwerx provides the following hardware:

For cable-mounted fixtures - 5WAC36, 5" white canopy with a 36" cable.

[For all other options, see our website for a detailed Pendant Mounting Guide](#)



POP COLOR ROUND 24



PENDANT DIRECT
STATIC WHITE

FINISH

Interior - 95%, reflective, matte white powder coating

Exterior - Side trim is offered in a range of vibrant color powder coating.



W - Matte white



AL - Aluminum



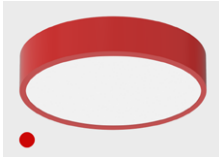
B - Matte black



RAL 1028 - Yellow



RAL 2004 - Orange



RAL 3020 - Red



RAL 4010 - Magenta



RAL 5002 - Blue



RAL 6018 - Green

CONSTRUCTION

Housing - Rolled and seamlessly welded aluminum extrusion
.125in thick, wide variety of colored powder coating

WEIGHT

RD 24 Flush, 1D, 2D - 16.26lbs - 7.39kg

RD 24 2R, 3D, 4D - 17.16lbs - 7.8kg

CERTIFICATION

ETL - Rated for Indoor Dry/Damp locations. Conforms to UL Standard 1598 and certified to CAN/CSA Standard C22.2 No. 250.0.

WARRANTY

Lumenwerx provides a five-year limited warranty of electrical and mechanical performance of the luminaires, including the LED boards, drivers, and auxiliary electronics. Lumenwerx will repair or replace defective luminaires or components at our discretion, provided they have been installed and operated in accordance with our specifications. Other limitations apply, please refer to the full warranty on our website.