

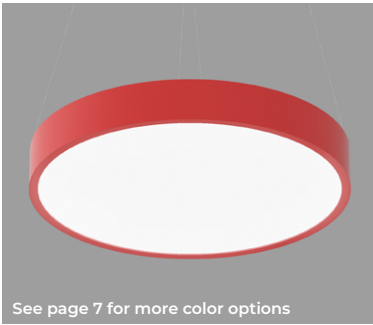
# POP COLOR ROUND 36



PENDANT DIRECT/INDIRECT  
STATIC WHITE

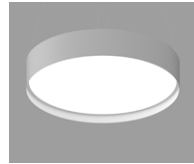


Project: \_\_\_\_\_  
Type: \_\_\_\_\_



See page 7 for more color options

Flush lens



2" regressed lens



1" drop lens



2" drop lens



3" drop lens



4" drop lens

## DESCRIPTION

POP Color features a painted housing with a uniformly luminous diffuser that sits flush, regressed or drops up to 4" below. POP Color delivers up to 119 LPW and is available in nine standard housing colors.

## Order Guide

Up to 119 lm/W performance

LUMINAIRE ID	DISTRIBUTION <sup>1</sup>	SIZE	OPTIC	LENS POSITION	LIGHT SOURCE <sup>2</sup>	CRI	DIRECT LUMEN PACKAGE
	<b>DI</b>	<b>36IN</b>	<b>ULO</b>		<b>SW</b>		
<b>PCROP</b> - Pop Color Round Pendant <b>PCRORGP</b> - Pop Color Round Regressed Lens Pendant	<b>DI</b> - Direct/Indirect  <sup>1</sup> The lens on the indirect side is clear.	<b>36IN</b> - Ø 36"	<b>ULO</b> - Uniform Lambertian Optic	<b>PCROP</b> <b>FH</b> - Flush <b>1D</b> - 1" drop <b>2D</b> - 2" drop <b>3D</b> - 3" drop <b>4D</b> - 4" drop  <b>PCRORGP</b> <b>2R</b> - 2" regressed	<b>SW</b> - Static white  <sup>2</sup> Chromawerx Sola and Duo also available. Consult other spec sheet.	<b>80</b> - 80 CRI <b>90</b> - 90 CRI	<b>4000</b> - Min. low output 4000lm <b>5500</b> - Medium output 5500lm <b>8000</b> - Max. high output 8000lm <b>####</b> - Other required lm

INDIRECT LUMEN PACKAGE	COLOR TEMP.	VOLTAGE	DRIVER <sup>4</sup>	ELECTRICAL
<b>2500</b> - Min. low output 2500lm <b>3500</b> - Medium output 3500lm <b>4500</b> - Max. high output 4500lm (80CRI only) <b>####</b> - Other required lm	<b>27</b> - 2700K <b>30</b> - 3000K <b>35</b> - 3500K <b>40</b> - 4000K	<b>120</b> - 120V <b>277</b> - 277V <b>UNV</b> - 120V-277V <b>347</b> <sup>3</sup> - 347V  <sup>3</sup> Available with D1 only.	<b>D1</b> - 1% 0-10V <b>DA</b> <sup>5</sup> - DALI <b>LDE1</b> <sup>5</sup> - Lutron Hi-Lume 1% Eco <b>ELD1</b> - eldoLED 1% ECOdrive 0-10V <b>ELDO</b> - eldoLED 0.1% SOLOdrive 0-10V  <sup>4</sup> PoE (Power-over-Ethernet) compatible. Consult factory for details. <sup>5</sup> On-site commissioning is required.	<b>1</b> - 1 circuit <b>2</b> - 2 circuits <b>+EB</b> <sup>6</sup> - Emergency battery pack <b>+GTD</b> <sup>6</sup> - Generator transfer device  <sup>6</sup> Not available with 347V.

MOUNTING	POWER CORD COLOR	FINISH	OPTIONS
<b>5WAC36</b>  <b>5WAC36</b> - Power 5" white canopy (36" aircraft cable) <a href="#">For all other options refer to our Pendant Mounting Guide</a>	<b>BPC</b> - Black power cord <b>WPC</b> - White power cord	<b>W</b> - Matte white <b>AL</b> - Aluminum <b>B</b> - Matte black <b>RAL 1028</b> - Yellow <b>RAL 2004</b> - Orange <b>RAL 3020</b> - Red <b>RAL 4010</b> - Magenta <b>RAL 5002</b> - Blue <b>RAL 6018</b> - Green <b>CF#</b> - Custom finish specify RAL#	<b>FU120</b> - Fuse 120V <b>FU277</b> - Fuse 277V <b>NA</b> - None

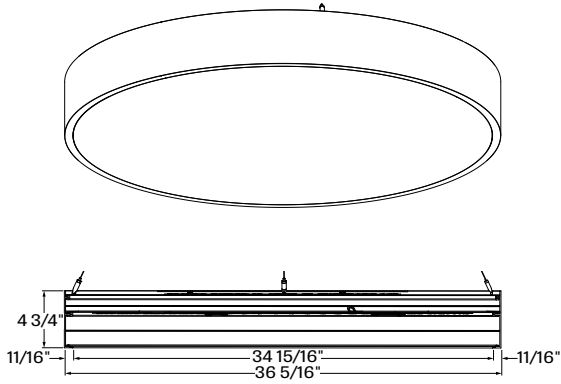
# POP COLOR ROUND 36



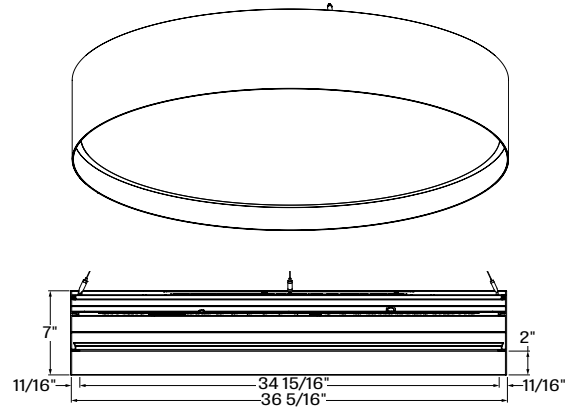
PENDANT DIRECT/INDIRECT  
STATIC WHITE

## Dimensions

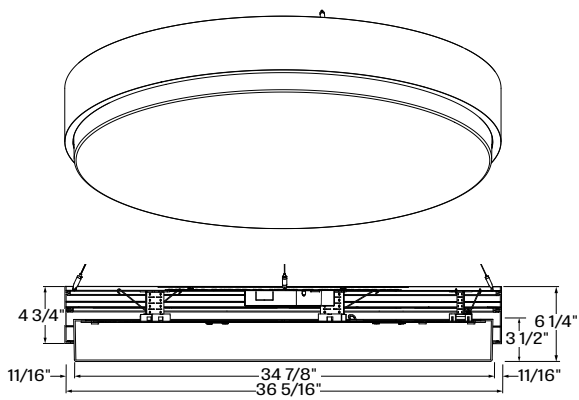
POP COLOR FH - FLUSH



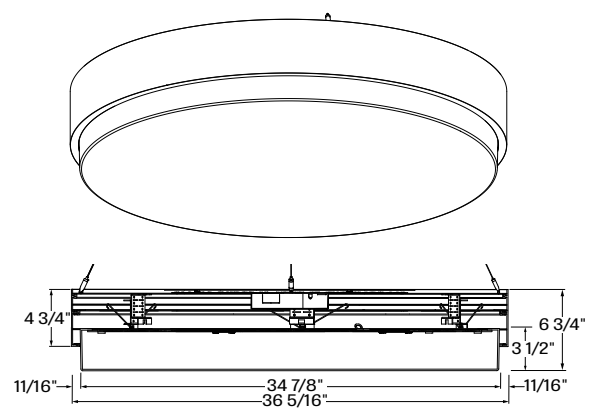
POP COLOR 2R - 2" REGRESSED



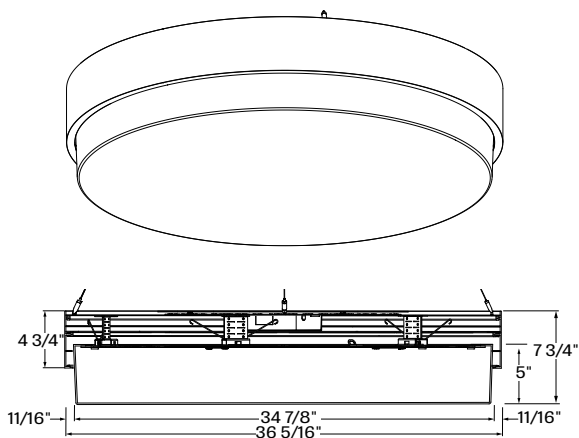
POP COLOR 1D - 1" DROP



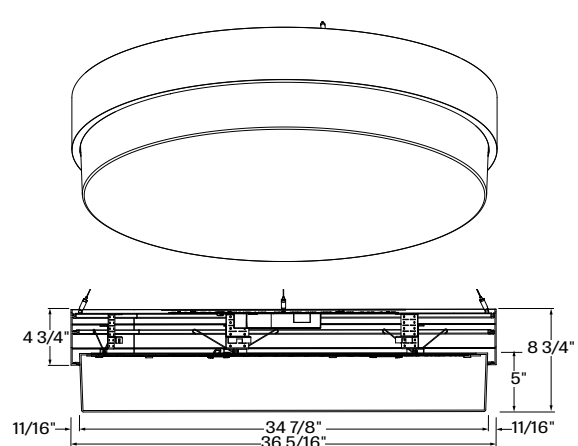
POP COLOR 2D - 2" DROP



POP COLOR 3D - 3" DROP



POP COLOR 4D - 4" DROP



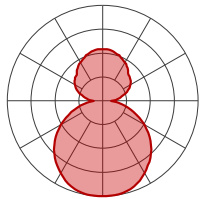
# POP COLOR ROUND 36



PENDANT DIRECT/INDIRECT  
STATIC WHITE

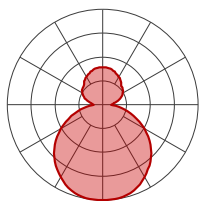
## Photometrics

Performance at Indirect 2500 Lumen



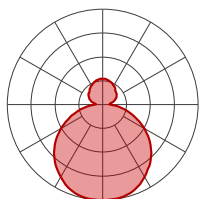
### 4000 LUMEN AT 80 CRI - LOW OUTPUT

LED OUTPUT	COLOR TEMP	WATTS	DIR. LUMENS	IND. LUMENS	TOTAL NOMINAL DELIVERED LUMENS	EFFICACY LPW
Low output	2700K	59	4000	2500	6500	110
Low output	3000K	58	4000	2500	6500	112
Low output	3500K	56	4000	2500	6500	116
Low output	4000K	54.5	4000	2500	6500	119



### 5500 LUMEN AT 80 CRI - MEDIUM OUTPUT

LED OUTPUT	COLOR TEMP	WATTS	DIR. LUMENS	IND. LUMENS	TOTAL NOMINAL DELIVERED LUMENS	EFFICACY LPW
Medium output	2700K	75	5500	2500	8000	107
Medium output	3000K	72.5	5500	2500	8000	110
Medium output	3500K	71	5500	2500	8000	113
Medium output	4000K	68.5	5500	2500	8000	117



### 8000 LUMEN AT 80 CRI - HIGH OUTPUT

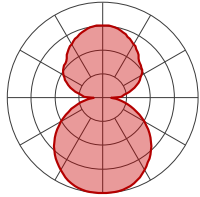
LED OUTPUT	COLOR TEMP	WATTS	DIR. LUMENS	IND. LUMENS	TOTAL NOMINAL DELIVERED LUMENS	EFFICACY LPW
High output	2700K	103	8000	2500	10500	102
High output	3000K	101	8000	2500	10500	104
High output	3500K	98	8000	2500	10500	107
High output	4000K	94.5	8000	2500	10500	111

# POP COLOR ROUND 36



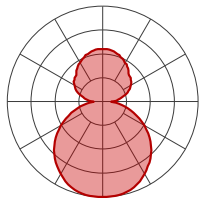
PENDANT DIRECT/INDIRECT  
STATIC WHITE

Performance at Indirect 3500 Lumen



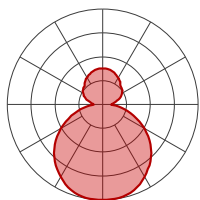
4000 LUMEN AT 80 CRI - LOW OUTPUT

LED OUTPUT	COLOR TEMP	WATTS	DIR. LUMENS	IND. LUMENS	TOTAL NOMINAL DELIVERED LUMENS	EFFICACY LPW
Low output	2700K	69.5	4000	3500	7500	108
Low output	3000K	68	4000	3500	7500	110
Low output	3500K	66	4000	3500	7500	114
Low output	4000K	63.5	4000	3500	7500	118



5500 LUMEN AT 80 CRI - MEDIUM OUTPUT

LED OUTPUT	COLOR TEMP	WATTS	DIR. LUMENS	IND. LUMENS	TOTAL NOMINAL DELIVERED LUMENS	EFFICACY LPW
Medium output	2700K	85	5500	3500	9000	106
Medium output	3000K	83.5	5500	3500	9000	108
Medium output	3500K	80.5	5500	3500	9000	112
Medium output	4000K	77.5	5500	3500	9000	116



8000 LUMEN AT 80 CRI - HIGH OUTPUT

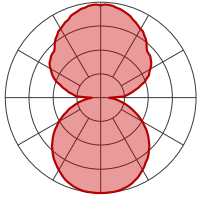
LED OUTPUT	COLOR TEMP	WATTS	DIR. LUMENS	IND. LUMENS	TOTAL NOMINAL DELIVERED LUMENS	EFFICACY LPW
High output	2700K	112.5	8000	3500	11500	102
High output	3000K	110.5	8000	3500	11500	104
High output	3500K	107.5	8000	3500	11500	107
High output	4000K	103.5	8000	3500	11500	111

# POP COLOR ROUND 36



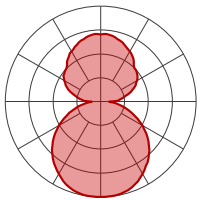
PENDANT DIRECT/INDIRECT  
STATIC WHITE

Performance at Indirect 4500 Lumen



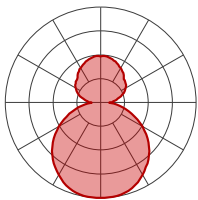
4000 LUMEN AT 80 CRI - LOW OUTPUT

LED OUTPUT	COLOR TEMP	WATTS	DIR. LUMENS	IND. LUMENS	TOTAL NOMINAL DELIVERED LUMENS	EFFICACY LPW
Low output	2700K	79.5	4000	4500	8500	107
Low output	3000K	78	4000	4500	8500	109
Low output	3500K	75	4000	4500	8500	113
Low output	4000K	73.5	4000	4500	8500	116



5500 LUMEN AT 80 CRI - MEDIUM OUTPUT

LED OUTPUT	COLOR TEMP	WATTS	DIR. LUMENS	IND. LUMENS	TOTAL NOMINAL DELIVERED LUMENS	EFFICACY LPW
Medium output	2700K	95	5500	4500	10000	105
Medium output	3000K	92.5	5500	4500	10000	108
Medium output	3500K	90	5500	4500	10000	111
Medium output	4000K	87	5500	4500	10000	115



8000 LUMEN AT 80 CRI - HIGH OUTPUT

LED OUTPUT	COLOR TEMP	WATTS	DIR. LUMENS	IND. LUMENS	TOTAL NOMINAL DELIVERED LUMENS	EFFICACY LPW
High output	2700K	124	8000	4500	12500	101
High output	3000K	121.5	8000	4500	12500	103
High output	3500K	117	8000	4500	12500	107
High output	4000K	113.5	8000	4500	12500	110

# POP COLOR ROUND 36



PENDANT DIRECT/INDIRECT  
STATIC WHITE

## Technical Specifications

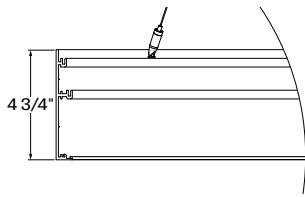
### OPTIC

#### Uniform Efficiency Lambertian Optic (ULO)

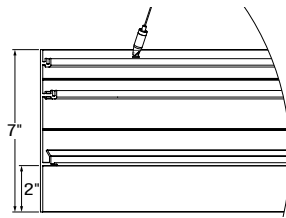
Made of formed impact modified white PMMA, the optic provides an even light distribution with up to 88% transmission. Its unique enclosed shell design protects LEDs against Electrostatic Discharge and dust while its back surface project a soft glow on the mounting surface.

### LENS POSITION

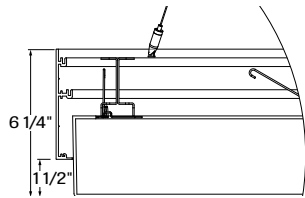
Pop Color Round 36 pendant is available in 6 lens configurations.



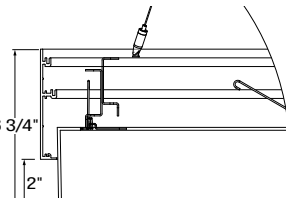
PCROP + FH - Flush lens



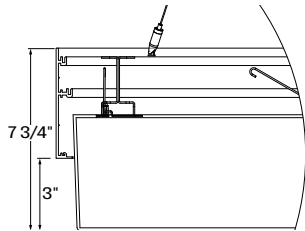
PCRORGP + 2R - 2" regressed lens



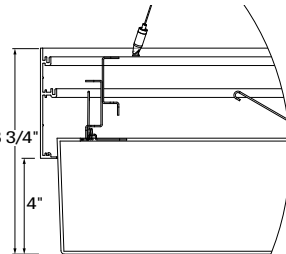
PCROP + 1D - 1" drop lens



PCROP + 2D - 2" drop lens



PCROP + 3D - 3" drop lens



PCROP + 4D - 4" drop lens

### LIGHT SOURCE

Custom array of mid-flux LEDs are mounted directly to the housing for optimal thermal performance. Available in 2700K, 3000K, 3500K and 4000K with a minimum 80 CRI and an option for 90 CRI with elevated R9 value. Color consistency maintained to within 3 SDCM. LEDs operated at reduced drive current to optimize efficacy and lumen maintenance.

All LEDs have been tested in accordance with IESNA LM-80-08 and the results have shown L80 lumen maintenance greater than 60,000 hours. Absolute product photometry is measured and presented in accordance with IESNA LM-79, unless otherwise indicated.

### ELECTRICAL

Factory-set, adjustable output current LED driver with universal (120-277VAC) input. Dimmable from 100% to 1% with 0-10V dimming control. Rated life (90% survivorship) of 50,000 hours at 50°C max. ambient (and 70°C max. case) temperature. At maximum driver load: Efficiency > 84%, PF > 0.9, THD < 20%. Other specifiable options include Lutron Hi-Lume 1% (specify 2-wire, or Ecosystem Dim-to-Off), eldoLED 1% ECoDrive 0-10V, eldoLED 0.1% SOLOdrive 0-10V, and DALI protocol drivers. All of our standard 0-10V drivers are NEMA 410 compliant.

### PoE

Depending on the PoE manufacturer selected, Lumenwerx will install the node in factory as either integral to the luminaire or as a remote module. Factory programming of the PoE node may or may not enable the following functionalities: lumen package, Duo (tunable white) emergency battery backup, and sensor integration. These must be addressed and evaluated on a case-by-case basis.

### EMERGENCY

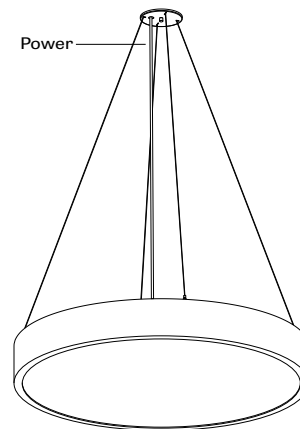
Factory installed long life, high temperature, maintenance-free Lithium-Ion battery pack with self-test functionality, test switch and charge indicator. Minimum of 90 minutes operation, up to 10W (25°C) emergency lighting output and recharge time of 24 hours.

### MOUNTING OPTION

Fixtures are pendant-mounted, using aircraft cables. Unless otherwise specified, Lumenwerx provides the following hardware:

**For cable-mounted fixtures** - 5WAC36, 5" white canopy with a 36" cable.

[For all other options, see our website for a detailed Pendant Mounting Guide](#)



# POP COLOR ROUND 36



PENDANT DIRECT/INDIRECT  
STATIC WHITE

## FINISH

**Interior** - 95%, reflective, matte white powder coating

**Exterior** - Side trim is offered in a range of vibrant color powder coating.



W - Matte white



AL - Aluminum



B - Matte black



RAL 1028 - Yellow



RAL 2004 - Orange



RAL 3020 - Red



RAL 4010 - Magenta



RAL 5002 - Blue



RAL 6018 - Green

## CONSTRUCTION

**Housing** - Rolled and seamlessly welded aluminum extrusion  
.125in thick, wide variety of colored powder coating

## WEIGHT

**RD 36 Flush, 1D, 2D** - 33.23lbs - 15.09kg

**RD 36 2R, 3D, 4D** - 34.63lbs - 15.73kg

## CERTIFICATION

**ETL** - Rated for Indoor Dry/Damp locations. Conforms to UL Standard 1598 and certified to CAN/CSA Standard C22.2 No. 250.0.

## WARRANTY

Lumenwerx provides a five-year limited warranty of electrical and mechanical performance of the luminaires, including the LED boards, drivers, and auxiliary electronics. Lumenwerx will repair or replace defective luminaires or components at our discretion, provided they have been installed and operated in accordance with our specifications. Other limitations apply, please refer to the full warranty on our website.