

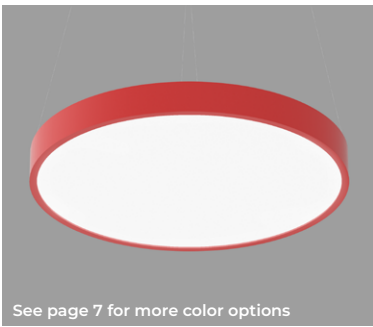
# POP COLOR ROUND 48



PENDANT DIRECT/INDIRECT  
STATIC WHITE

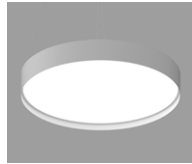


Project: \_\_\_\_\_  
Type: \_\_\_\_\_



See page 7 for more color options

Flush lens



2" regressed lens

## DESCRIPTION

POP Color features a painted housing with a uniformly luminous diffuser that sits flush or regressed. POP Color delivers up to 117 LPW and is available in nine standard housing colors.

## Order Guide

Up to 117 lm/W performance

LUMINAIRE ID	DISTRIBUTION <sup>1</sup>	SIZE	OPTIC	LENS POSITION	LIGHT SOURCE <sup>2</sup>	CRI	DIRECT LUMEN PACKAGE
	<b>DI</b>	<b>48IN</b>	<b>ULO</b>		<b>SW</b>		
<b>PCROP</b> - Pop Color Round Pendant <b>PCRORGP</b> - Pop Color Round Regressed Lens Pendant	<b>DI</b> - Direct/Indirect <sup>1</sup> The lens on the indirect side is clear.	<b>48IN</b> - Ø 48"	<b>ULO</b> - Uniform Lambertian Optic	<b>PCROP</b> <b>FH</b> - Flush  <b>PCRORGP</b> <b>2R</b> - 2" regressed	<b>SW</b> - Static white <sup>2</sup> Chromawerx Sola and Duo also available. Consult other spec sheet.	<b>80</b> - 80 CRI <b>90</b> - 90 CRI	<b>7000</b> - Min. low output 7000lm <b>10000</b> - Medium output 10000lm <b>14000</b> - Max. high output 14000lm <b>####</b> - Other required lm

INDIRECT LUMEN PACKAGE	COLOR TEMP.	VOLTAGE	DRIVER <sup>4</sup>	ELECTRICAL
<b>2500</b> - Min. low output 2500lm <b>3500</b> - Medium output 3500lm <b>4500</b> - Max. high output 4500lm <b>####</b> - Other required lm	<b>27</b> - 2700K <b>30</b> - 3000K <b>35</b> - 3500K <b>40</b> - 4000K	<b>120</b> - 120V <b>277</b> - 277V <b>UNV</b> - 120V-277V <b>347</b> <sup>3</sup> - 347V  <sup>3</sup> Available with DI only.	<b>DI</b> - 1% 0-10V <b>DA</b> <sup>5</sup> - DALI <b>LDE1</b> <sup>5</sup> - Lutron Hi-lume 1% Eco <b>ELD1</b> - eldoLED 1% ECOdrive 0-10V <b>ELDO</b> - eldoLED 0.1% SOLOdrive 0-10V  <sup>4</sup> PoE (Power-over-Ethernet) compatible. Consult factory for details. <sup>5</sup> On-site commissioning is required.	<b>1</b> - 1 circuit <b>2</b> - 2 circuits <b>+EB</b> <sup>6</sup> - Emergency battery pack <b>+GTD</b> <sup>6</sup> - Generator transfer device  <sup>6</sup> Not available with 347V.

MOUNTING	POWER CORD COLOR	FINISH	OPTIONS
<b>5WAC36</b>			
<b>5WAC36</b> - Power 5" white canopy (36" aircraft cable) <a href="#">For all other options refer to our Pendant Mounting Guide</a>	<b>BPC</b> - Black power cord <b>WPC</b> - White power cord	<b>W</b> - Matte white <b>AL</b> - Aluminum <b>B</b> - Matte black <b>RAL 1028</b> - Yellow <b>RAL 2004</b> - Orange <b>RAL 3020</b> - Red <b>RAL 4010</b> - Magenta <b>RAL 5002</b> - Blue <b>RAL 6018</b> - Green <b>CF#</b> - Custom finish specify RAL#	<b>FU120</b> - Fuse 120V <b>FU277</b> - Fuse 277V <b>NA</b> - None

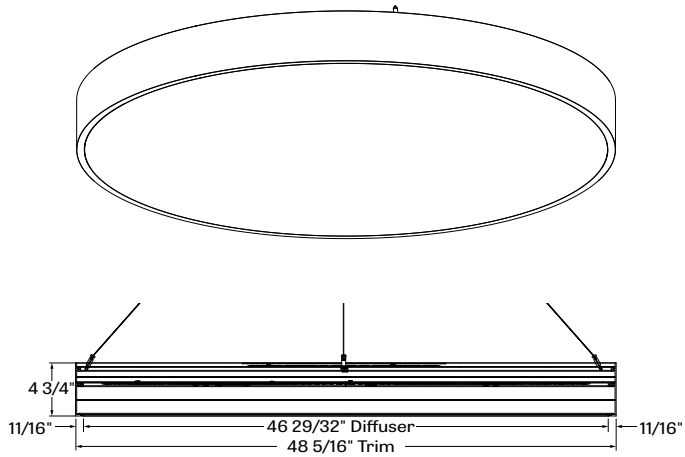
# POP COLOR ROUND 48



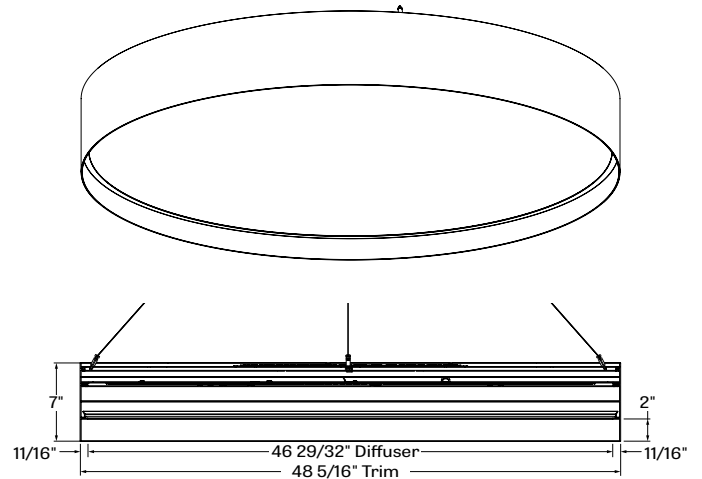
PENDANT DIRECT/INDIRECT  
STATIC WHITE

## Dimensions

POP COLOR FH - FLUSH



POP COLOR 2R - 2" REGRESSED



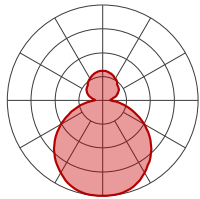
# POP COLOR ROUND 48



PENDANT DIRECT/INDIRECT  
STATIC WHITE

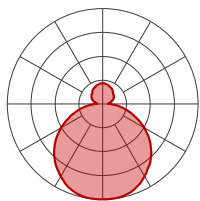
## Photometrics

Performance at Indirect 2500 Lumen



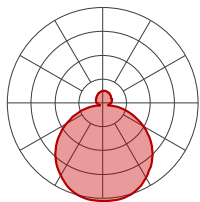
7000 LUMEN AT 80 CRI - LOW OUTPUT

LED OUTPUT	COLOR TEMP	WATTS	DIR. LUMENS	IND. LUMENS	TOTAL NOMINAL DELIVERED LUMENS	EFFICACY LPW
Low output	2700K	88.3	7000	2500	9500	108
Low output	3000K	86.5	7000	2500	9500	110
Low output	3500K	84	7000	2500	9500	113
Low output	4000K	81	7000	2500	9500	117



10000 LUMEN AT 80 CRI - MEDIUM OUTPUT

LED OUTPUT	COLOR TEMP	WATTS	DIR. LUMENS	IND. LUMENS	TOTAL NOMINAL DELIVERED LUMENS	EFFICACY LPW
Medium output	2700K	119.4	10000	2500	12500	105
Medium output	3000K	117	10000	2500	12500	107
Medium output	3500K	113.5	10000	2500	12500	110
Medium output	4000K	109.5	10000	2500	12500	114



14000 LUMEN AT 80 CRI - HIGH OUTPUT

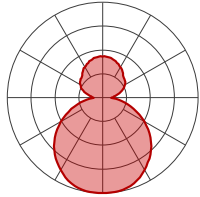
LED OUTPUT	COLOR TEMP	WATTS	DIR. LUMENS	IND. LUMENS	TOTAL NOMINAL DELIVERED LUMENS	EFFICACY LPW
High output	2700K	160.2	14000	2500	16500	103
High output	3000K	157	14000	2500	16500	105
High output	3500K	153	14000	2500	16500	108
High output	4000K	147.5	14000	2500	16500	112

# POP COLOR ROUND 48



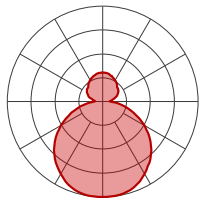
PENDANT DIRECT/INDIRECT  
STATIC WHITE

Performance at Indirect 3500 Lumen



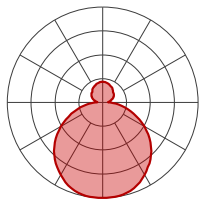
## 7000 LUMEN AT 80 CRI - LOW OUTPUT

LED OUTPUT	COLOR TEMP	WATTS	DIR. LUMENS	IND. LUMENS	TOTAL NOMINAL DELIVERED LUMENS	EFFICACY LPW
Low output	2700K	98.5	7000	3500	10500	107
Low output	3000K	96.5	7000	3500	10500	109
Low output	3500K	93.5	7000	3500	10500	112
Low output	4000K	90.5	7000	3500	10500	116



## 10000 LUMEN AT 80 CRI - MEDIUM OUTPUT

LED OUTPUT	COLOR TEMP	WATTS	DIR. LUMENS	IND. LUMENS	TOTAL NOMINAL DELIVERED LUMENS	EFFICACY LPW
Medium output	2700K	128.6	10000	3500	13500	105
Medium output	3000K	126	10000	3500	13500	107
Medium output	3500K	122.5	10000	3500	13500	110
Medium output	4000K	118.5	10000	3500	13500	114



## 14000 LUMEN AT 80 CRI - HIGH OUTPUT

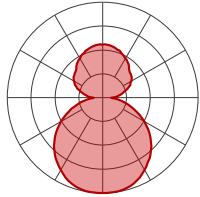
LED OUTPUT	COLOR TEMP	WATTS	DIR. LUMENS	IND. LUMENS	TOTAL NOMINAL DELIVERED LUMENS	EFFICACY LPW
High output	2700K	171.4	14000	3500	17500	102
High output	3000K	168	14000	3500	17500	104
High output	3500K	162	14000	3500	17500	108
High output	4000K	157.5	14000	3500	17500	111

# POP COLOR ROUND 48



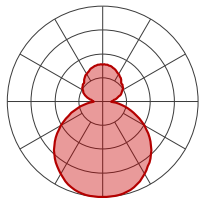
PENDANT DIRECT/INDIRECT  
STATIC WHITE

Performance at Indirect 4500 Lumen



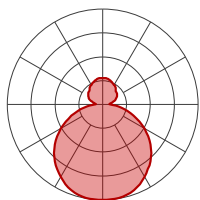
## 7000 LUMEN AT 80 CRI - LOW OUTPUT

LED OUTPUT	COLOR TEMP	WATTS	DIR. LUMENS	IND. LUMENS	TOTAL NOMINAL DELIVERED LUMENS	EFFICACY LPW
Low output	2700K	111.7	7000	4500	11500	103
Low output	3000K	109.5	7000	4500	11500	108
Low output	3500K	102.5	7000	4500	11500	112
Low output	4000K	100	7000	4500	11500	115



## 10000 LUMEN AT 80 CRI - MEDIUM OUTPUT

LED OUTPUT	COLOR TEMP	WATTS	DIR. LUMENS	IND. LUMENS	TOTAL NOMINAL DELIVERED LUMENS	EFFICACY LPW
Medium output	2700K	139.8	10000	4500	14500	104
Medium output	3000K	137	10000	4500	14500	106
Medium output	3500K	133	10000	4500	14500	109
Medium output	4000K	128.5	10000	4500	14500	113



## 14000 LUMEN AT 80 CRI - HIGH OUTPUT

LED OUTPUT	COLOR TEMP	WATTS	DIR. LUMENS	IND. LUMENS	TOTAL NOMINAL DELIVERED LUMENS	EFFICACY LPW
High output	2700K	181.6	14000	4500	18500	102
High output	3000K	178	14000	4500	18500	104
High output	3500K	171.5	14000	4500	18500	108
High output	4000K	166.5	14000	4500	18500	111

# POP COLOR ROUND 48



PENDANT DIRECT/INDIRECT  
STATIC WHITE

## Technical Specifications

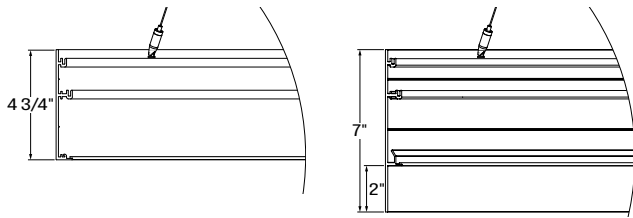
### OPTIC

#### Uniform Efficiency Lambertian Optic (ULO)

Made of formed impact modified white PMMA, the optic provides an even light distribution with up to 88% transmission. Its unique enclosed shell design protects LEDs against Electrostatic Discharge and dust while its back surface project a soft glow on the mounting surface.

### LENS POSITION

Pop Color Round 48 pendant is available in 2 lens configurations.



PCROP + FH - Flush lens

PCRORGP + 2R - 2" regressed lens

### LIGHT SOURCE

Custom array of mid-flux LEDs are mounted directly to the housing for optimal thermal performance. Available in 2700K, 3000K, 3500K and 4000K with a minimum 80 CRI and an option for 90 CRI with elevated R9 value. Color consistency maintained to within 3 SDCM. LEDs operated at reduced drive current to optimize efficacy and lumen maintenance.

All LEDs have been tested in accordance with IESNA LM-80-08 and the results have shown L80 lumen maintenance greater than 60,000 hours. Absolute product photometry is measured and presented in accordance with IESNA LM-79, unless otherwise indicated.

### ELECTRICAL

Factory-set, adjustable output current LED driver with universal (120-277VAC) input. Dimmable from 100% to 1% with 0-10V dimming control. Rated life (90% survivorship) of 50,000 hours at 50°C max. ambient (and 70°C max. case) temperature. At maximum driver load: Efficiency > 84%, PF > 0.9, THD < 20%. Other specifiable options include Lutron Hi-Lume 1% (specify 2-wire, or Ecosystem Dim-to-Off), eldoLED 1% ECoDrive 0-10V, eldoLED 0.1% SOLOdrive 0-10V, and DALI protocol drivers. All of our standard 0-10V drivers are NEMA 410 compliant.

### PoE

Depending on the PoE manufacturer selected, Lumenwerx will install the node in factory as either integral to the luminaire or as a remote module. Factory programming of the PoE node may or may not enable the following functionalities: lumen package, Duo (tunable white) emergency battery backup, and sensor integration. These must be addressed and evaluated on a case-by-case basis.

### EMERGENCY

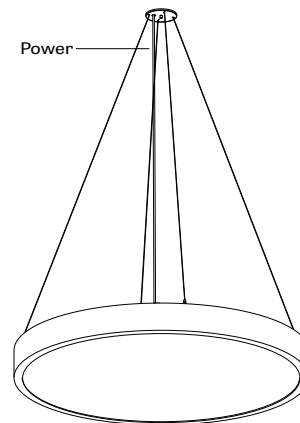
Factory installed long life, high temperature, maintenance-free Lithium-Ion battery pack with self-test functionality, test switch and charge indicator. Minimum of 90 minutes operation, up to 10W (25°C) emergency lighting output and recharge time of 24 hours.

### MOUNTING OPTION

Fixtures are pendant-mounted, using aircraft cables. Unless otherwise specified, Lumenwerx provides the following hardware:

**For cable-mounted fixtures** - 5WAC36, 5" white canopy with a 36" cable.

[For all other options, see our website for a detailed Pendant Mounting Guide](#)



# POP COLOR ROUND 48



PENDANT DIRECT/INDIRECT  
STATIC WHITE

## FINISH

**Interior** - 95%, reflective, matte white powder coating

**Exterior** - Side trim is offered in a range of vibrant color powder coating.



W - Matte white



AL - Aluminum



B - White black



RAL 1028 - Yellow



RAL 2004 - Orange



RAL 3020 - Red



RAL 4010 - Magenta



RAL 5002 - Blue



RAL 6018 - Green

## CONSTRUCTION

**Housing** - Rolled and seamlessly welded aluminum extrusion  
.125in thick, wide variety of colored powder coating

## WEIGHT

**RD 48 Flush, 2R** - 53.38lbs - 24.24kg

## CERTIFICATION

**ETL** - Rated for Indoor Dry/Damp locations. Conforms to UL Standard 1598 and certified to CAN/CSA Standard C22.2 No. 250.0.

## WARRANTY

Lumenwerx provides a five-year limited warranty of electrical and mechanical performance of the luminaires, including the LED boards, drivers, and auxiliary electronics. Lumenwerx will repair or replace defective luminaires or components at our discretion, provided they have been installed and operated in accordance with our specifications. Other limitations apply, please refer to the full warranty on our website.