

# POP CORE ROUND 24 LED



**LUMENWERX**  
WWW.LUMENWERX.COM

## PENDANT DIRECT - CHROMAWERX TUNABLE WHITE AND DIM TO WARM

**IMPORTANT: a qualified DMX integration consultant is required to ensure proper installation and function of any DMX network**



Shown with 3.5" optics



Shown with 5" optics

PROJECT: \_\_\_\_\_  
 TYPE: \_\_\_\_\_  
 NOTES: \_\_\_\_\_

### DESCRIPTION

**POP Core** features a simple, uniformly luminous diffuser and delivers up to 110 LPW. The diffuser and light engine form a fully enclosed unit with no exposed hardware. POP Core is an ideal vehicle for ChromaWerx white tuning in education, office, and healthcare applications where modular luminaires are used.



up to 110 lm/w performance

### ORDER GUIDE

POROPD	24IN	ULO		LED		
LUMINAIRE ID	SIZE	OPTICS	HEIGHT	LIGHT SOURCE	CRI	LUMEN PACKAGES
POROPD - pop round pendant direct	24IN - Ø 24"	ULO - Uniform Lambertian Optic	3H - 3.5" optic 5H - 5" optic	LED - high performance LED	80 - 80CRI 90 - 90CRI	2500 - min. low output 2500lm 3500 - medium output 3500lm 4500 - max. high output 4500lm #### - other required lm

CHROMAWERX	VOLTAGE	DRIVER	1	5WAC36	
CHROMAWERX	VOLTAGE	DRIVER	ELECTRICAL	MOUNTING	FINISH
DUO - tunable white 2 channel control 27k to 65k SOLA - dim to warm single channel control 22k to 35k	120 - 120V 277 - 277V	DMX - to specify see pages 5 to 10 DA - Dali (duo only) local on-site commissioning is required O-10 - Single 0-10V input (Sola) or dual 0-10V input for CCT/Intensity (Duo) PSQO - Lutron T-Series 1% Tunable White (Duo only)	1 - 1 circuit	5WAC36 - power 5" white canopy (36" air craft cable) <a href="#">For all other options refer to our Pendant Mounting Guide</a>	W - matte white CF# - custom finish specify RAL#

See page 2 for ordering code detailed information

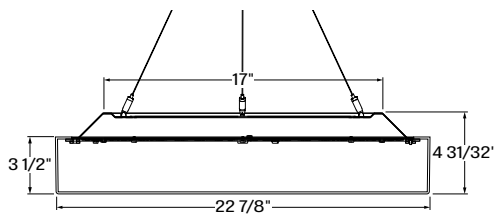
#### OPTIONS

FU120 - Fuse 120V  
FU277 - Fuse 277V  
CU - custom

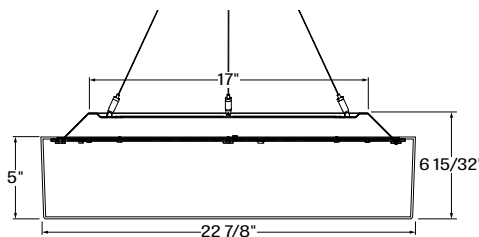
#### DMX WALL CONTROLS

To specify see pages 5 to 10

### CROSS SECTION



POROPD + 3H - pop round pendant with 3.5" optics



POROPD + 5H - pop round pendant with 5" optics

# POP CORE ROUND 24 LED

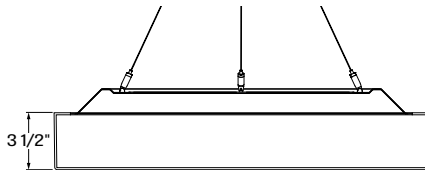
## PENDANT DIRECT - CHROMAWERX TUNABLE WHITE AND DIM TO WARM

### OPTICS

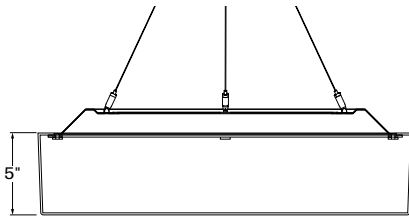
**UNIFORM EFFICIENCY LAMBERTIAN OPTIC (ULO)** - made of formed impact modified white PMMA, the optic provides an even light distribution with up to 88% transmission. Its unique enclosed shell design protects LEDs against Electrostatic Discharge and dust while its back surface project a soft glow on the mounting surface.

### OPTICS HEIGHT

POP round pendant 24 is available with both 3.5" and 5" diffuser.



**POROPD + 3H** - pop round pendant with 3.5" optics



**POROPD + 5H** - pop round pendant with 5" optics

### LIGHT SOURCE - LED

#### PERFORMANCE AT 4000K

LED output	Color Temp	Watts	Nominal Delivered Lumens	Efficacy LPW
Low output	4000K	22.5	2500	110
Medium output	4000K	32.5	3500	107
High output	4000K	43.5	4500	103

#### Lumen Adjustment Factors

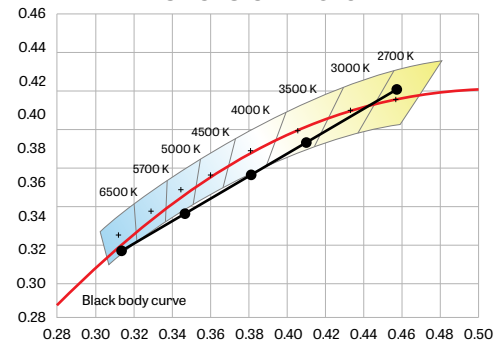
2700K	0.917
3000K	0.959
3500K	0.988
4000K	1.000
6500K	1.053

Custom array of alternating color temperature mid-flux LED's are mounted directly to the housing for optimal thermal performance. For the Duo products, a color temperature range from 2700K-6500K is achievable with color points on or below the black body curve. For the Sola products, a color temperature range from 2200K-3500K is controlled synchronously with intensity. Color consistency between fixtures is maintained to within 3SDCM. LEDs are operated at reduced drive current to optimize efficacy and lumen maintenance.

All LED's have been tested in accordance with IESNA LM-80-08 and the results have shown L80 lumen maintenance greater than 60,000 hours. Absolute product photometry is measured and presented in accordance with IESNA LM-79, unless otherwise indicated.

### CHROMAWERX - TUNABLE WHITE

#### ANSI C78.377-2015



**ChromaWerx Sola** is single-channel control that dims output while warming the color temperature in a pre-determined relationship. A simple digital or analog control sends a common signal to dual output digital drivers, which are programmed to adjust a specially populated LED array to emulate the effect of dimming a filament source. Dimming range is programmable but the default option runs from 3500K at 100% of full power to 2200K at 5% of full power. CRI is maintained above 80 throughout the dimming range.

**ChromaWerx Duo** is two-channel control. It uses an analog (0-10V) protocol for separate control of luminaire CCT and intensity or a digital (DMX, DALI) protocol for synchronous control of both warm and cool LED arrays to enable the user to set color temperature and light output. Commonly called "tunable white", ChromaWerx two-channel control provides the range of warm (2700K) to cool (6500K) color that can be useful for helping to entrain circadian rhythms, stimulate alertness for improved educational and work productivity, and compensate for jet lag, among other applications. The ChromaWerx drivers are programmed to limit maximum light output and power usage across all color temperatures. CRI is maintained above 80.

# POP CORE ROUND 24 LED

## PENDANT DIRECT - CHROMAWERX TUNABLE WHITE AND DIM TO WARM

### ELECTRICAL

#### DMX (Duo only)

Factory-Set adjustable output current electronic driver with 120-277V AC line input. Using DMX wall controls (optionally supplied by Lumenwerx) or an existing DMX control system, both channels of LEDs are independently adjustable. Each DMX driver can be independently addressed using the built-in RDM (Remote Device Management) in the field. Dimming down to 1% is attainable. Rated life (90% survivorship) of 50,000 hours at 50°C maximum ambient temperature. At maximum driver load, efficiency<84%, PF>0.9, THD<20%.

#### Dali (Duo Only)

Factory-Set adjustable output current electronic driver with 120-277V AC line input. Using an existing DALI control system (supplied by others), one control channel adjusts the fixture color temperature, and the other control channel adjusts fixture brightness. Dimming down to 1% is attainable. Rated life (90% survivorship) of 50,000 hours at 50°C maximum ambient temperature. At maximum driver load, efficiency<84%, PF>0.9, THD<20%.

#### 0-10V (Sola)

Factory-set, adjustable output current LED driver with universal (120-277VAC) input. Using a single 0-10V control signal, the light output warms in color temperature as it dims down to 1% and 2200K. At maximum driver load, efficiency<86%, PF>0.9, THD<20%.

#### 0-10V (Duo)

Factory-set adjustable output current LED driver with universal (120-277VAC) input. Controlled via two individual 0-10V signals, one for setting light output down to a minimum of 1% and the other for adjusting the CCT (default range of 2700K-6500K). Rated life of 50,000 hours at 70°C maximum driver case temperature and 100% load conditions. Typical efficiency of 86%, PF>0.9, THD<20% at 100% load conditions.

#### PSQ0 (Duo only)

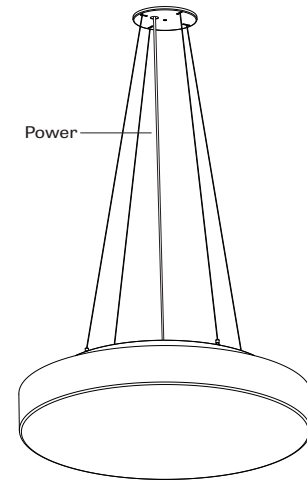
Lutron T-Series 2-Channel tunable white drivers enable high-performance human centric lighting (HCL) applications. Digital control of color temperature (CCT) and intensity are achieved when used with the ESN T-Series tunable white controller as a part of a Lutron Quantum System.

### MOUNTING OPTIONS

Fixtures are pendant-mounted, using aircraft cables. Unless otherwise specified, LumenWerx provides the following hardware:

**For cable-mounted fixtures** - 5WAC36, 5" white canopy with a 36" cable.

[For all other options, see our website for a detailed Pendant Mounting Guide](#)



### FINISH

**Interior** - 95% reflective, matte white powder coating

**Exterior** - matte white powder coating.

### CONSTRUCTION

**Housing** - 16 gauge spun aluminum, matte white powder coating

**Diffuser** - Uniform lambertian optic, thermoformed impact modified acrylic, completely enclosed

### WEIGHT

**RD 24 X 3.5** - 13.42lbs - 6.1kg

**RD 24 X 5** - 14.32lbs - 6.51kg

### CERTIFICATIONS

**ETL** - Rated for Indoor Dry/Damp locations.

Conforms to UL Standard 1598 and certified to CAN/CSA Standard C22.2 No. 250.0.

# POP CORE ROUND 24 LED

## PENDANT DIRECT - CHROMAWERX TUNABLE WHITE AND DIM TO WARM

### WARRANTY

For all ChromaWerx products, LumenWerx provides a three-year limited warranty of electrical and mechanical performance of the luminaires, including the LED boards, drivers, and auxiliary electronics. LumenWerx will repair or replace defective luminaires or components at our discretion, provided they have been installed and operated in accordance with our specifications. Other limitations apply, please refer to the full warranty on our website.

Wall controllers are covered by the manufacturer warranty.

# POP CORE ROUND 24 LED

## PENDANT DIRECT - CHROMAWERX TUNABLE WHITE

### DUO DMX SPECIFICATION

A qualified DMX integrator is required to assure proper installation and commissioning of the DMX network. **When placing the PO, please provide the contact information of your DMX integrator.**

Please answer the following questions to help us identify your DMX network requirements.

YES

Do you require a wall controller provided by Lumenwerx?

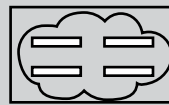
NO

DMX control system supplied by others. Lumenwerx will supply DMX-enabled fixtures with default DMX addressing. See following pages for technical DMX informations. ✓

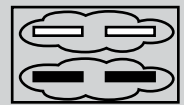
DMX controller supplied by Lumenwerx

**How many zones do you have?**

A zone consists of one or more luminaires behaving identically.



1 Zone



2 Zones

**How to calculate the required number of drivers:**

per 4' fixture

Driver

1x driver

Direct only

per 4' fixture

Driver

Driver

2x driver

Direct high output

To Calculate # of drivers

1 - 4 Zones

5 or more Zones

Do you have more than 32 drivers in total?

NO

YES

Order a standard Lumenwerx wall controller.

#### WALL CONTROLLER

**WCW** - wall controller white  
**WCB** - wall controller black

Add the control code at the end of your order code.

Please provide a fixture layout or RCP (Reflected Ceiling Plan) showing the locations of the DMX fixtures, zones and the DMX wall controller.

Refer to your DMX integrator for the installation. ✓

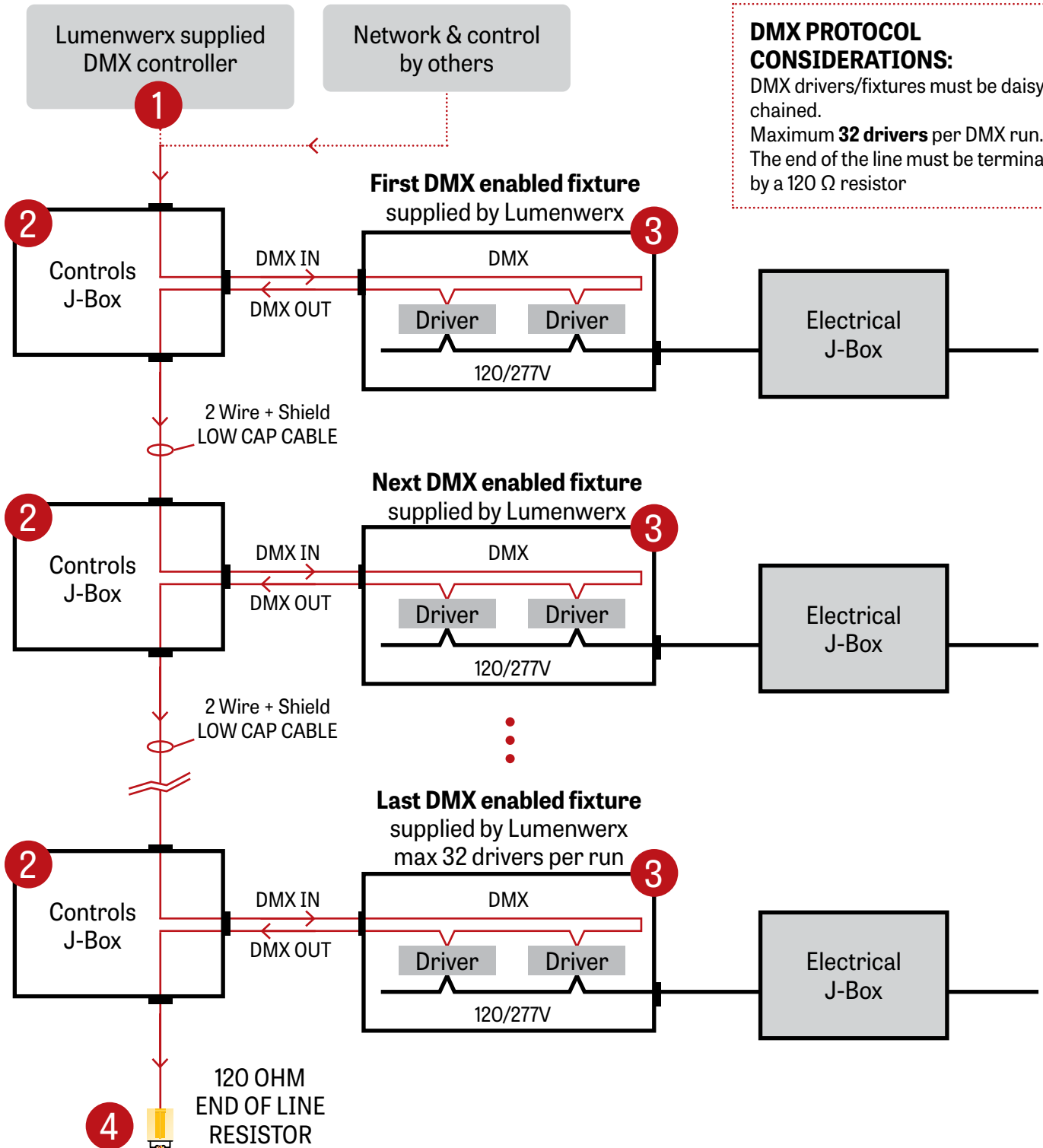
Subject to factory evaluation. Please contact our controls specialist at [controls@lumenwerx.com](mailto:controls@lumenwerx.com). Additional cost and equipment will be required. ✓

Subject to factory evaluation and approval. Please contact our controls specialist at [controls@lumenwerx.com](mailto:controls@lumenwerx.com). Additional cost and equipment will be required. ✓

# POP CORE ROUND 24 LED

## PENDANT DIRECT - CHROMAWERX TUNABLE WHITE

### GENERIC DMX NETWORK ARCHITECTURE



**DMX PROTOCOL CONSIDERATIONS:**  
 DMX drivers/fixtures must be daisy chained.  
 Maximum **32 drivers** per DMX run.  
 The end of the line must be terminated by a 120 Ω resistor

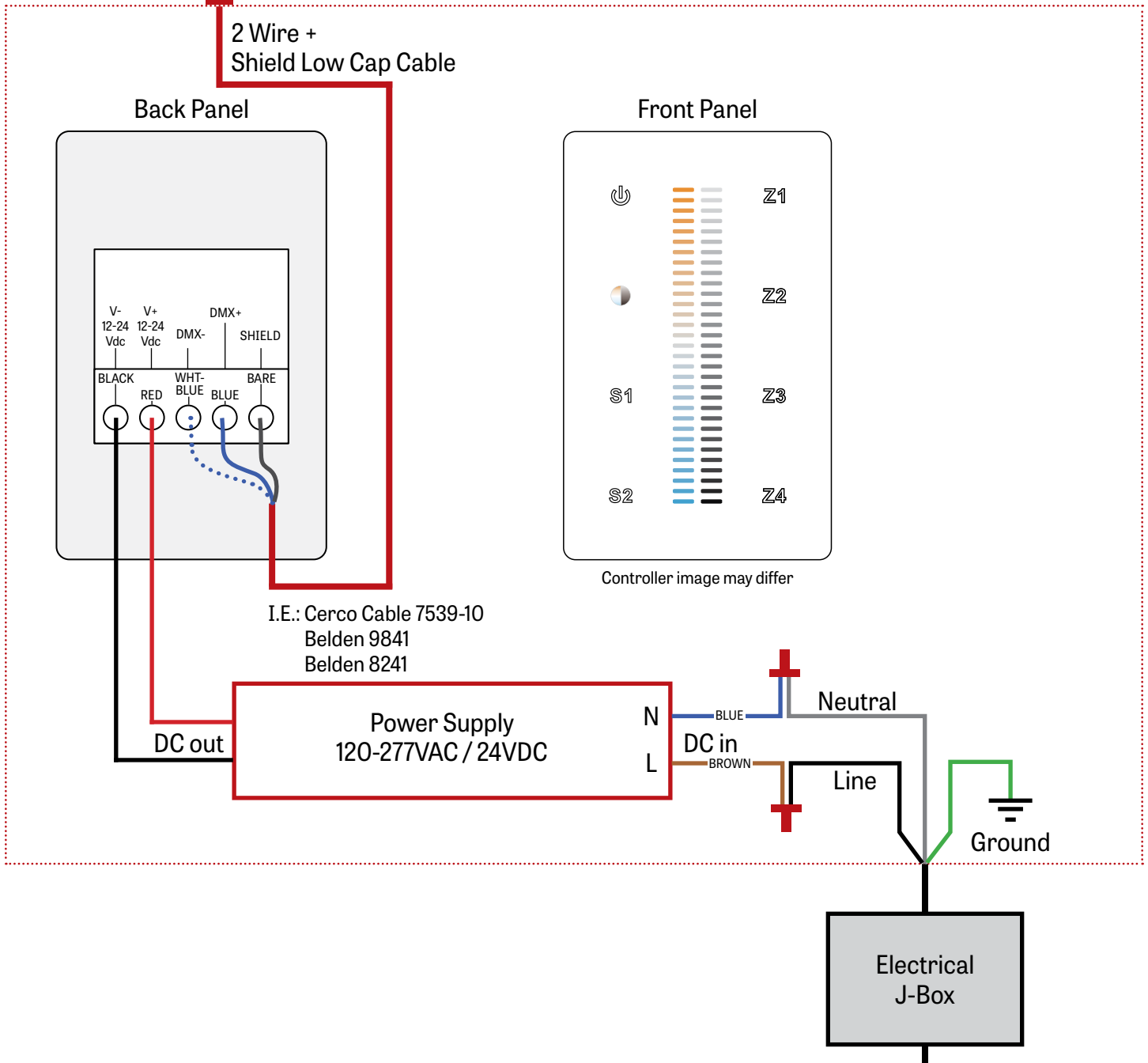
# POP CORE ROUND 24 LED

## PENDANT DIRECT - CHROMAWERX TUNABLE WHITE

### 1 LUMENWERX SUPPLIED DMX CONTROLLER

To the first fixture

WALL BOX SUPPLIED BY OTHERS

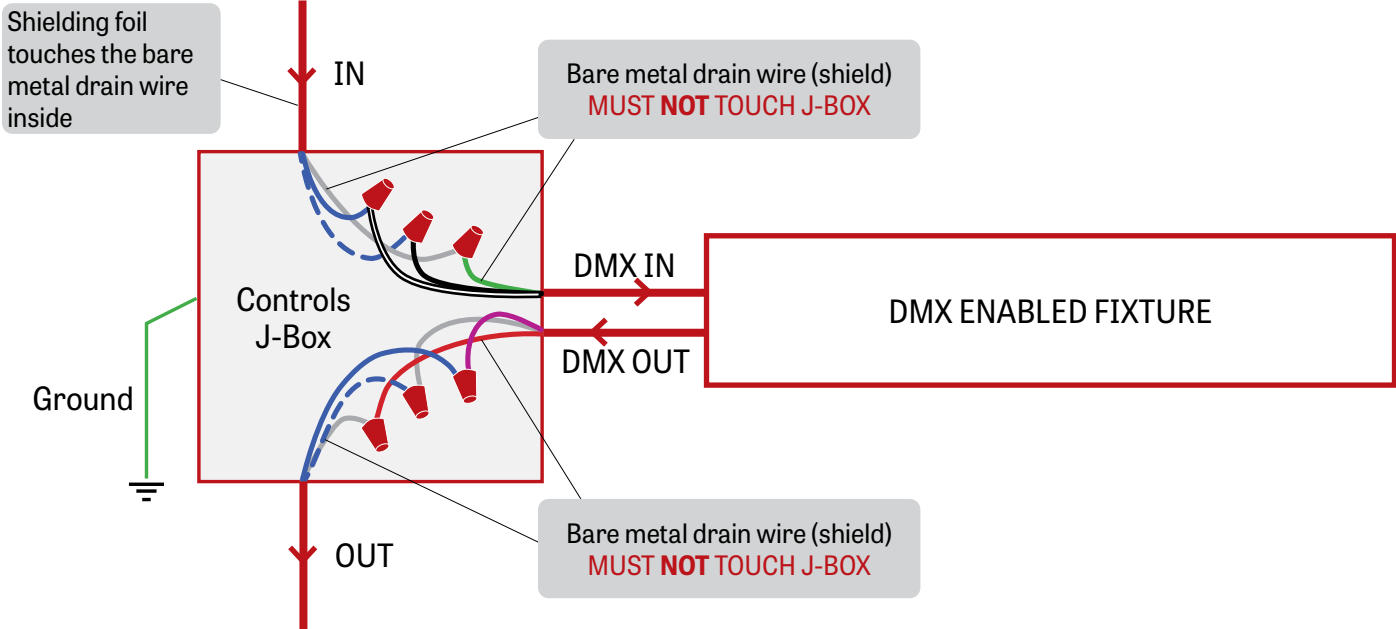


# POP CORE ROUND 24 LED

## PENDANT DIRECT - CHROMAWERX TUNABLE WHITE

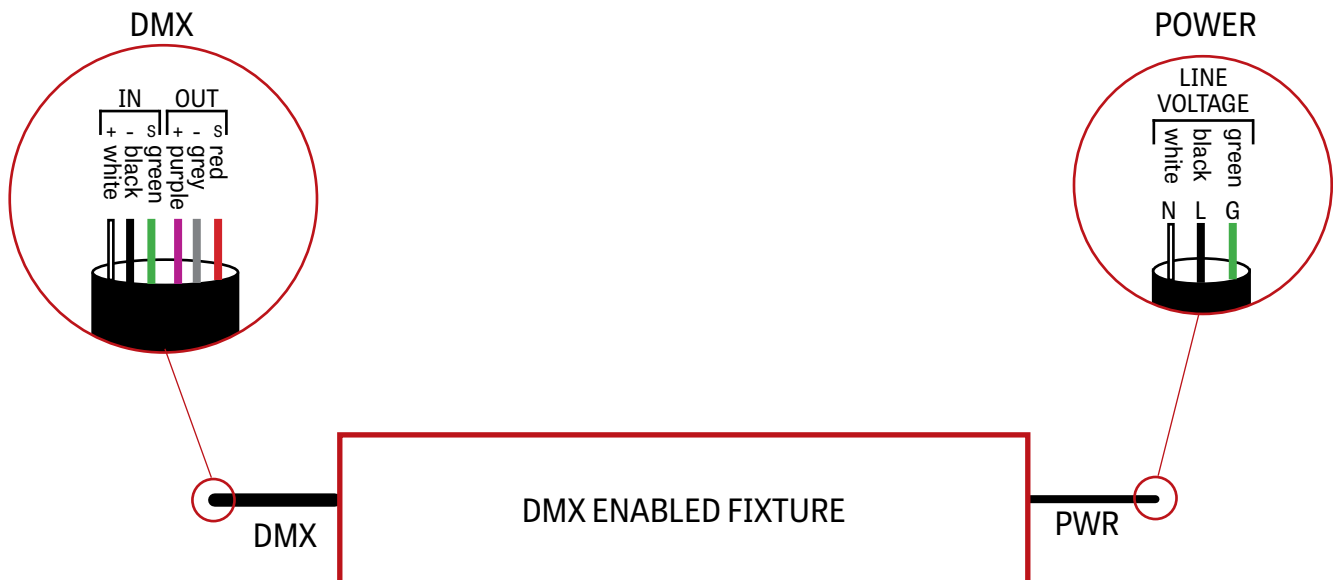
### 2 J-BOX DMX DAISY CHAIN DETAIL

#### Low capacitance DMX Cable from Previous Fixture



#### Low capacitance DMX cable to next fixture

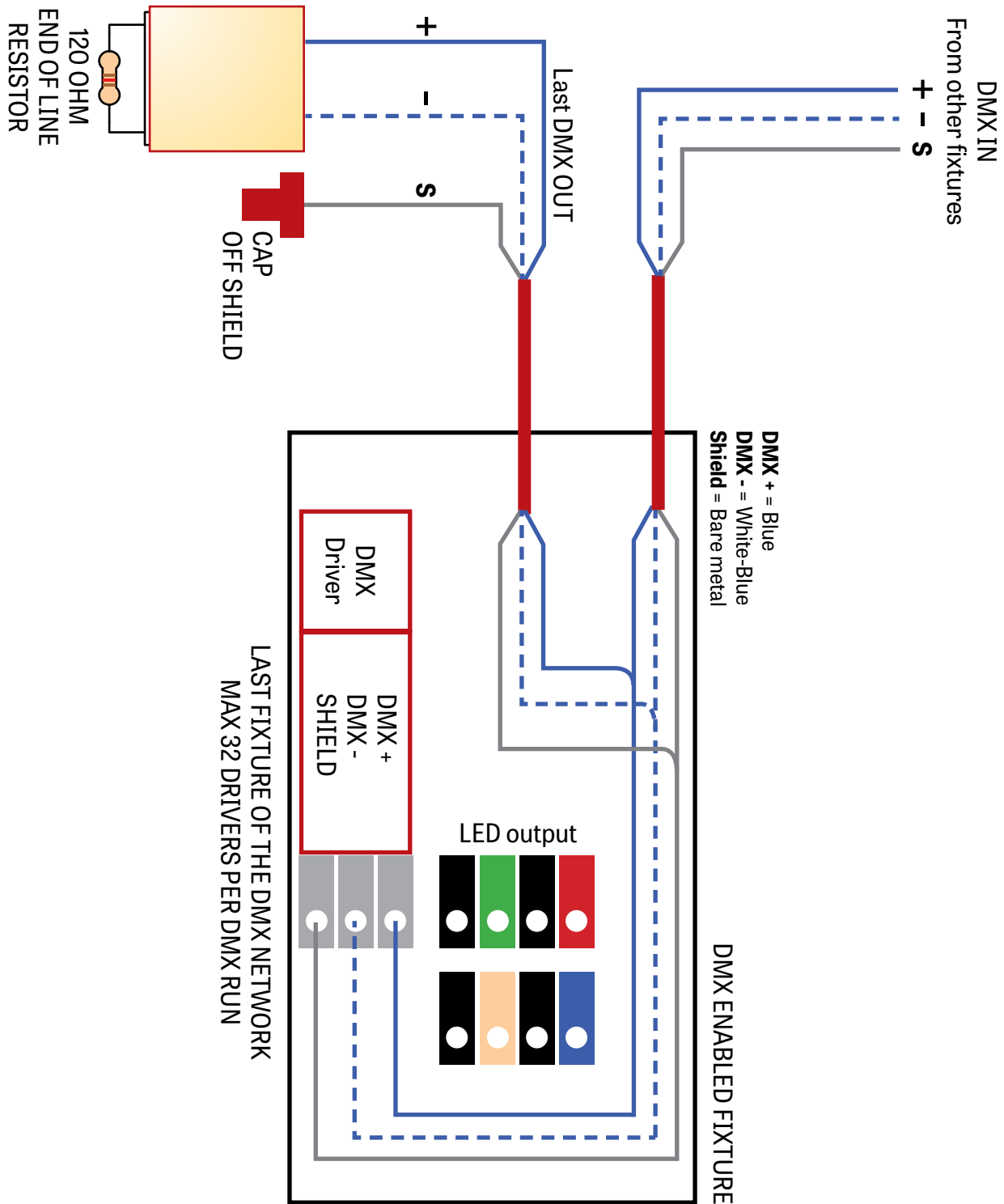
### 3 DMX CONNECTION PENDANT & WALL



# POP CORE ROUND 24 LED

## PENDANT DIRECT - CHROMAWERX TUNABLE WHITE

### 4 DMX LAST FIXTURE DETAIL

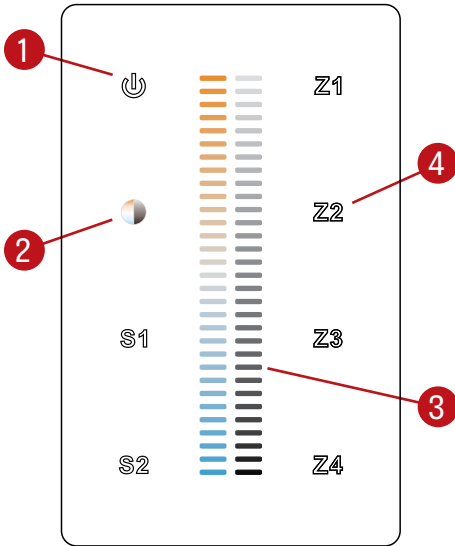


# POP CORE ROUND 24 LED

PENDANT DIRECT - CHROMAWERX TUNABLE WHITE

DMX WALL CONTROLLER

## DUO 1-4 ZONE



- (1) Power: Use this button to turn ON or OFF the fixture.
- (2) Brightness/CCT: Use the color/brightness toggle button to choose between color/brightness. When Blue: brightness is selected, when Yellow: color is selected.
- (3) Slider: Depending on the mode chosen in step 2, the slider will allow the user to set desired color or brightness.
- (4) Zone select: Up to 4 zones can be selected either independently or together. Once selected, the commands will be sent to the zone identified by a Blue LED.

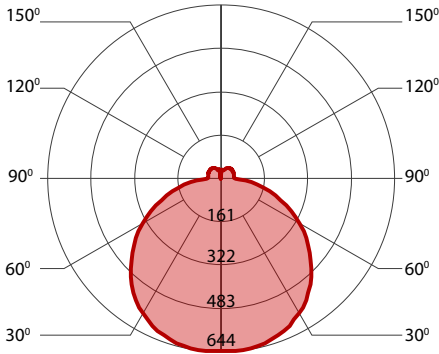
### Default DMX Addresses:

- 1 Warm
- 2 Cool

# POP CORE ROUND 24 LED

## PENDANT DIRECT - CHROMAWERX TUNABLE WHITE AND DIM TO WARM

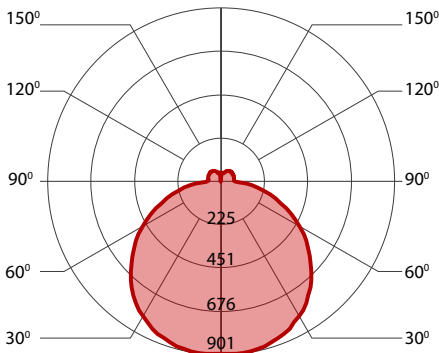
### 2500 LUMEN AT 80CRI - LOW OUTPUT



#### PERFORMANCE

LED output	Color Temp	Watts	Nominal Delivered Lumens	Efficacy LPW
low output	2700K	25	2500	101
low output	3000K	24.5	2500	103
low output	3500K	23.5	2500	106
low output	4000K	22.5	2500	110
low output	5000K	21.5	2500	115
low output	6500K	22	2500	114

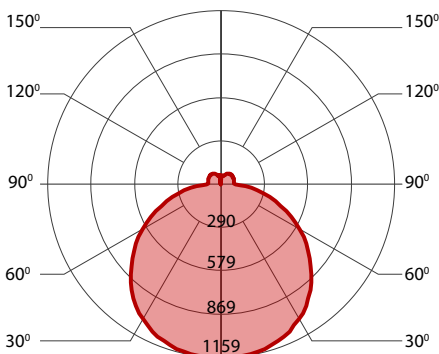
### 3500 LUMEN AT 80CRI - MEDIUM OUTPUT



#### PERFORMANCE

LED output	Color Temp	Watts	Nominal Delivered Lumens	Efficacy LPW
medium output	2700K	35.5	3500	98
medium output	3000K	35	3500	100
medium output	3500K	33.5	3500	104
medium output	4000K	32.5	3500	107
medium output	5000K	31.5	3500	111
medium output	6500K	31.5	3500	111

### 4500 LUMEN AT 80CRI - HIGH OUTPUT



#### PERFORMANCE

LED output	Color Temp	Watts	Nominal Delivered Lumens	Efficacy LPW
high output	2700K	47.5	4500	95
high output	3000K	46.5	4500	97
high output	3500K	45	4500	100
high output	4000K	43.5	4500	103
high output	5000K	42	4500	107
high output	6500K	42	4500	107