

# POP CORE SQUARE 1x1 LED

## PENDANT DIRECT



Shown with 2.5" optic

### DESCRIPTION

**POP Core** features a simple, uniformly luminous diffuser and delivers up to 106 LPW. The diffuser and light engine form a fully enclosed unit secured by a twist-and-lock mechanism for easy maintenance with no exposed hardware.

PROJECT: \_\_\_\_\_

TYPE: \_\_\_\_\_

NOTES: \_\_\_\_\_



### ORDER GUIDE

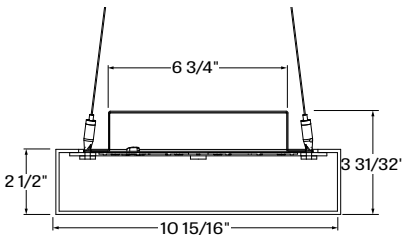
up to 106 lm/W performance

POSQPD	1FTX1FT	ULO	2H	SW		
LUMINAIRE ID	SIZE	OPTIC	HEIGHT	LIGHT SOURCE	CRI	LUMEN PACKAGE
POSQPD - Pop Square Pendant Direct	1FTX1FT - 1' X 1'	ULO - Uniform Lambertian Optic	2H - 2.5" optic	SW - Static white	80 - 80CRI 90 - 90CRI	750 - Min. low output 750lm 900 - Medium output 900lm 1100 - Max. high output 1100lm #### - Other required lm

COLOR TEMP.	VOLTAGE	DRIVER	ELECTRICAL	MOUNTING	FINISH	OPTIONS
27 - 2700K 30 - 3000K 35 - 3500K 40 - 4000K	120 - 120V 277 - 277V UNV - 120V-277V	D1 - 1% 0-10V DA - DALI LDE1 - Lutron Hi-lume 1% Eco	1 - 1 circuit +GTD - Generator transfer device	5SWAC36 square white canopy (36" aircraft cable) <a href="#">For all other options refer to our Pendant Mounting Guide</a>	W - Matte white CF# - Custom finish specify RAL#	FU120 - Fuse 120V FU277 - Fuse 277V

See page 3 for ordering code detailed information

### CROSS SECTION

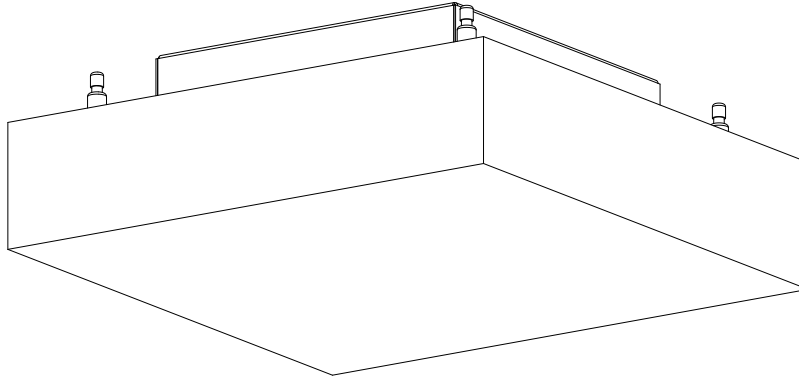


POSQPD + 2H - Pop Square Pendant with 2.5" optic

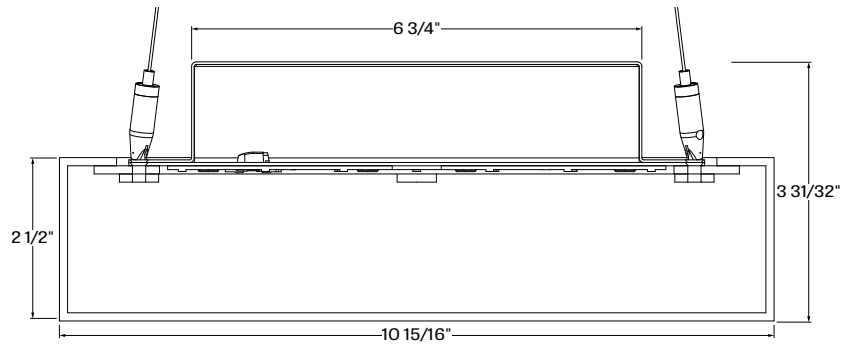
# POP CORE SQUARE 1x1 LED

PENDANT DIRECT

## POP SQUARE 2H - 2.5" OPTIC



**POSQPD + 2H** - Pop Square Pendant with 2.5" optic



# POP CORE SQUARE 1x1 LED

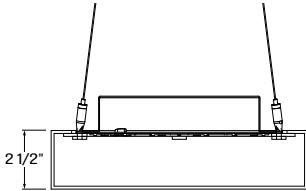
## PENDANT DIRECT

### OPTIC

**Uniform Efficiency Lambertian Optic (ULO)** - Made of formed impact modified white PMMA, the optic provides an even light distribution with up to 88% transmission. Its unique enclosed shell design protects LEDs against Electrostatic Discharge and dust while its back surface project a soft glow on the mounting surface.

### OPTIC HEIGHT

Pop Square Pendant 11 is available with 2.5" diffuser.



**POSQPD + 2H** - Pop Square Pendant with 2.5" optic

### LIGHT SOURCE

Custom array of mid-flux LEDs are mounted directly to the housing for optimal thermal performance. Available in 2700K, 3000K, 3500K and 4000K with a minimum 80 CRI and an option for 90 CRI with elevated R9 value. Color consistency maintained to within 3 SDCM. LEDs operated at reduced drive current to optimize efficacy and lumen maintenance.

All LEDs have been tested in accordance with IESNA LM-80-08 and the results have shown L80 lumen maintenance greater than 60,000 hours. Absolute product photometry is measured and presented in accordance with IESNA LM-79, unless otherwise indicated.

### PERFORMANCE AT 4000K

LED output	Color Temp	Watts	Nominal Delivered Lumens	Efficacy LPW
Low output	4000K	7.5	750	103
Medium output	4000K	8.5	900	105
High output	4000K	10.5	1100	106

### ELECTRICAL

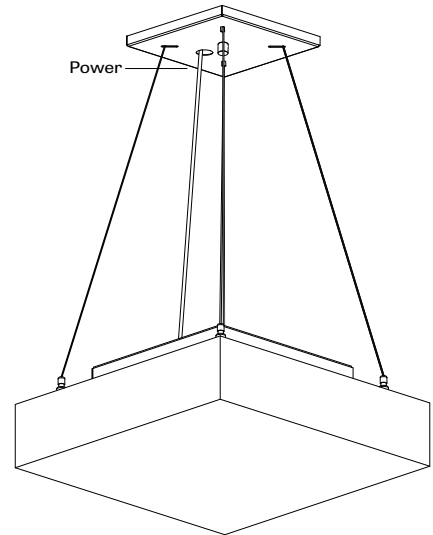
Factory-set, adjustable output current LED driver with universal (120-277VAC) input. Dimmable from 100% to 1% with 0-10V dimming control. Rated life (90% survivorship) of 50,000 hours at 50°C max. ambient (and 70°C max. case) temperature. At maximum driver load: Efficiency>84%, PF>0.9, THD<20%. Other specifiable options include Hi-Lume 1% Eco and DALI protocol drivers. All of our standard 0-10V drivers are NEMA 410 compliant.

### MOUNTING OPTIONS

Fixtures are pendant-mounted, using aircraft cables. Unless otherwise specified, Lumenwerx provides the following hardware:

**For cable-mounted fixtures** - 5SWAC36, 5" square white canopy with a 36" cable.

[For all other options, see our website for a detailed Pendant Mounting Guide](#)



### FINISH

**Interior** - 95% reflective, matte white powder coating

**Exterior** - Matte white powder coating.

### CONSTRUCTION

**Housing** - 16 gauge spun aluminum, matte white powder coating

**Diffuser** - Uniform Lambertian Optic, precisely formed impact modified acrylic, completely enclosed

### WEIGHT

**SQ 11 X 2.5** - 23.41lbs - 1.55kg

### CERTIFICATIONS

**ETL** - Rated for Indoor Dry/Damp locations.

Conforms to UL Standard 1598 and certified to CAN/CSA Standard C22.2 No. 250.0.

# POP CORE SQUARE 1x1 LED

## PENDANT DIRECT

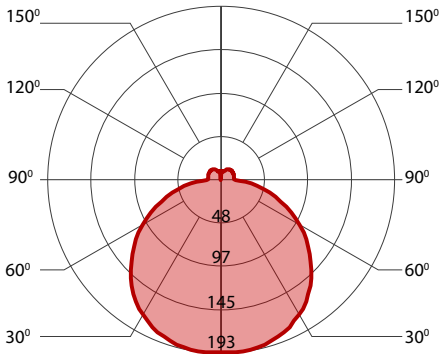
### WARRANTY

Lumenwerx provides a five-year limited warranty of electrical and mechanical performance of the luminaires, including the LED boards, drivers, and auxiliary electronics. Lumenwerx will repair or replace defective luminaires or components at our discretion, provided they have been installed and operated in accordance with our specifications. Other limitations apply, please refer to the full warranty on our website.

# POP CORE SQUARE 1x1 LED

## PENDANT DIRECT

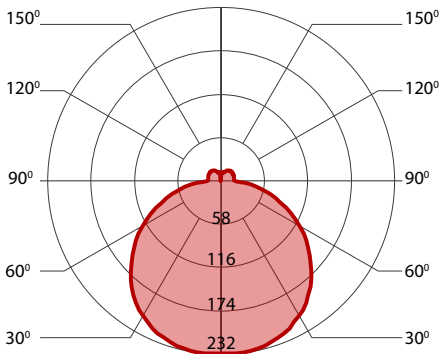
### 750 LUMEN AT 80CRI - LOW OUTPUT



#### PERFORMANCE

LED output	Color Temp	Watts	Nominal Delivered Lumens	Efficacy LPW
Low output	2700K	8	750	95
Low output	3000K	7.5	750	97
Low output	3500K	7.5	750	100
Low output	4000K	7.5	750	103

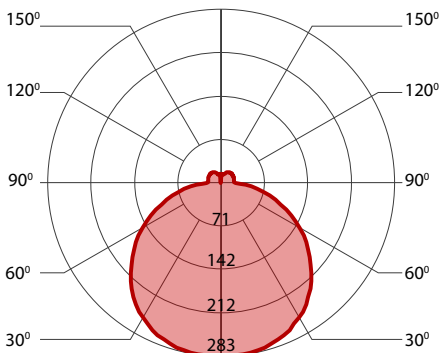
### 900 LUMEN AT 80CRI - MEDIUM OUTPUT



#### PERFORMANCE

LED output	Color Temp	Watts	Nominal Delivered Lumens	Efficacy LPW
Medium output	2700K	9.5	900	96
Medium output	3000K	9	900	99
Medium output	3500K	9	900	102
Medium output	4000K	8.5	900	105

### 1100 LUMEN AT 80CRI - HIGH OUTPUT



#### PERFORMANCE

LED output	Color Temp	Watts	Nominal Delivered Lumens	Efficacy LPW
High output	2700K	11.5	1100	97
High output	3000K	11	1100	99
High output	3500K	10.5	1100	103
High output	4000K	10.5	1100	106