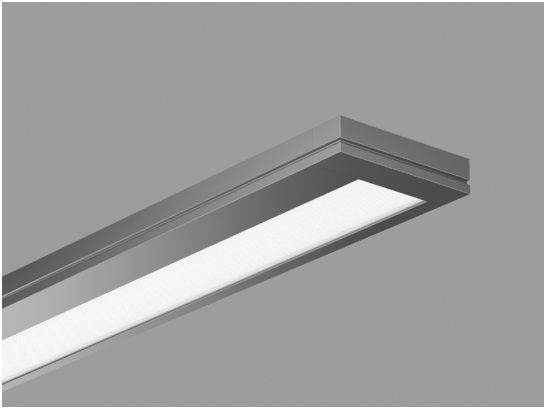


# REVEN SIB LED

WALL DIRECT/INDIRECT



Shown with PMO optics

## DESCRIPTION

**Reven SIB (Standard Indirect Batwing)** is a linear LED pendant and wall luminaire with a thin, articulated profile. Using advanced LED engines and optical control, Reven provides wide spread uplight and well controlled downlight. This highly efficient and comfortable illumination is offered in a wide range of light distributions together with comprehensive electrical and controls options. Please see additional specification sheets for Reven ICL with independently controllable light distribution, as well as other mounting arrangements.

PROJECT: \_\_\_\_\_

TYPE: \_\_\_\_\_

NOTES: \_\_\_\_\_



**SENSORS**  
For latest information on sensors, click [here](#).



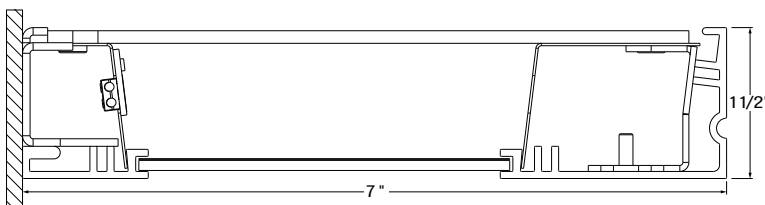
**up to 138 lm/W performance**

## ORDER GUIDE

REVWSIB	PMO	SW				30/70
LUMINAIRE ID	OPTIC	LIGHT SOURCE	CRI	LUMEN PACKAGES	COLOR TEMP.	LIGHT DISTRIBUTION
REVWSIB - Reven wall standard indirect batwing	PMO - Precision micro-prism Optic	SW - Static white	80 - 80CRI 90 - 90CRI	750 - Min. low output 750lm/ft 875 - Max. medium output 875lm/ft #### - Other required lm/ft	27 - 2700K 30 - 3000K 35 - 3500K 40 - 4000K	30/70 - 30% down - 70% up
LUMINAIRE LENGTH	VOLTAGE	DRIVER	ELECTRICAL	DRM		
#FT - Nominal length in feet Sections - 4', 8' and 12' only Continuous Run - for luminaires over 8' in multiples of 4'	120 - 120V 277 - 277V UNV - 120V-277V 347 <sup>1</sup> - 347V <sup>1</sup> Available with D1 driver only.	D1 - 1% 0-10V DA <sup>2</sup> - DALI LDE1 <sup>2</sup> - Lutron Hi-lume 1% Eco <sup>2</sup> On-site commissioning is required.	1 - 1 circuit +EB - Emergency battery (min 4' fixture, except Lutron) +EM - Emergency light circuit +NL - Night light circuit +GTD - Generator transfer device	DRM - Drywall mounting		
FINISH	CONTROLS <sup>3</sup>	OPTION				
W - Matte white AL - Aluminum CF# - Custom finish specify RAL#	STANDALONE CONTROLS <sup>4,5</sup> Specify the quantity (#) of sensors per fixture. #ODS - Onboard Daylight  CONNECTED CONTROLS <sup>6</sup>  NA - None	FU120 - Fuse 120V FU277 - Fuse 277V CU - Custom				
<sup>3</sup> Standalone and connected control options cannot be combined. <sup>4</sup> Available with D1 driver and 1 circuit options only. <sup>5</sup> Minimum 4' per zone. Provide control zone length. <sup>6</sup> Consult factory for connected controls. Compatible systems include Lutron, Encelium, Cooper, Acuity, Casambi, and Legrand.						

See page 2 for ordering code detailed information

## CROSS SECTION



REVV - wall

## OPTICS



PMO - Precision Micro-prism Optic



## OPTIC

**PRECISION MICRO-PRISM OPTIC (PMO)** - Angled LED array with matte aluminum reflectors and precision Micro-Prism Optic (PMO) shielding of 0.1" thick acrylic. Precisely formed pyramidal prisms with a 0.06" square base provide outstanding control of high-angle brightness. Upper diffuser yields 30/70 direct/indirect distribution. The widespread uplight provides a batwing distribution with peak intensity at 117° and a peak-to-zenith ratio of 2.7:1; shielding from the PMO optic provides 45° optical cut off. Upper reflectors create options for a higher downlight component. Reven is suitable for wide row spacing with a comfortable ceiling brightness gradient.

## LIGHT SOURCE - LED

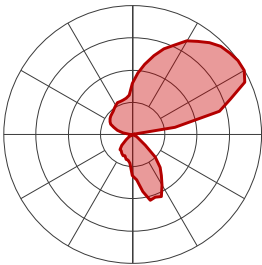
Custom linear array of mid-flux LEDs are mounted directly to the housing for optimal thermal performance. Available in 2700K, 3000K, 3500K and 4000K with a minimum 80 CRI and an option for 90 CRI with elevated R9 value. Color consistency maintained to within 3 SDCM. LEDs operated at reduced drive current to optimize efficacy and lumen maintenance. All LEDs have been tested in accordance with IESNA LM-80-08 and the results have shown L80 lumen maintenance greater than 60,000 hours. Absolute product photometry is measured and presented in accordance with IESNA LM-79, unless otherwise indicated.

## PERFORMANCE PER 4' AT 4000K

30/70 - 30% down - 70% up

LED output	Color Temp	Watts	Nominal Delivered Lumens	Efficacy LPW
low output	4000K	21.5	3000	138
medium output	4000K	25.5	3500	138

## LIGHT DISTRIBUTION

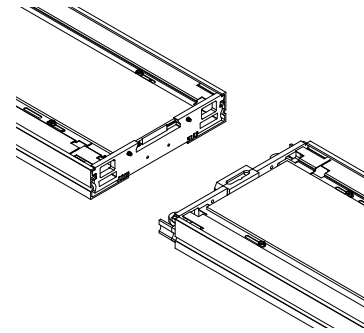


30/70 - 30% down - 70% up

## LUMINAIRE LENGTH

Reven is made up of standard 4, 8 and 12 foot sections only that may be joined together to create continuous run lengths. Nominal run length required must be noted in the product code. The minimum individual section available is 4 feet.

All individual sections are joined together onsite using the joiner kits provided. Lumenwerx offers joiner kits that are extremely simple to work with in the field and result in a fixture that appears virtually seamless with no light leak at any connection.



Joining system for Reven

## ELECTRICAL

Factory-set, adjustable output current LED driver with universal (120-277VAC) input. Dimmable from 100% to 1% with 0-10V dimming control. Rated life (90% survivorship) of 50,000 hours at 50°C max. ambient (and 70°C max. case) temperature. At maximum driver load: Efficiency > 84%, PF > 0.9, THD < 20%. Other specifiable options include Lutron Hi-Lume 1% Eco and DALI protocol drivers. All of our standard 0-10V drivers are NEMA 410 compliant.

## EMERGENCY

Factory installed long life high temperature recyclable Ni-Cad battery pack with test switch and charge indicator, minimum of 90 minutes operation, up to 875 lumens per 4ft (25°C) emergency lighting output. Recharge time of 24 hours.

## MOUNTING OPTIONS

Fixtures may be horizontally mounted directly to the wall. For long runs, a minimum of 6" from adjacent walls is required.

### FINISH

**Interior** - 95%, reflective matte powder coated white paint

**Exterior** - Matte white or aluminum powder coating.

Custom finishes are also available.

### CONTROLS

Lumenwerx offers several options for integrating occupancy and daylight harvesting controls in our luminaires.

For latest information on sensors, click [here](#).



#### Standalone controls

An integrated standalone sensor controls the luminaire in which it is installed.

Depending on the length, more than one sensor may be necessary and may control the entire luminaire, or just a section of it. These controls operate independently.

Unless otherwise agreed, sensor location, blank size, and functionality of the sensor within the luminaire are selected by Lumenwerx. See client drawings for details.

One type is available:

**ODS:** An integral, daylight harvesting sensor with closed-loop operation dims the luminaire in which it is installed in order to compensate for available daylight. The sensor measures the combination of daylight and luminaire light reflected from horizontal surfaces below the luminaire. Initial onsite calibration is required via the use of provided remote control.

#### Connected controls

With connected controls, sensors or nodes installed in the luminaire form part of a larger control system infrastructure from manufacturers such as: Lutron, Encelium, Cooper Wavelinx, Acuity nLight, Casambi, Legrand, and others. These connected controls allow for a scalable system providing features like occupancy and daylight control, manual control, scheduling and configuration of various zones and scenes. Energy reporting and system monitoring are also possible. Specific capabilities depend on the control system being used. Consult factory for integrating connected controls in a wall fixture.

### CONSTRUCTION

**Housing** - Extruded aluminum 0.075" nominal, matte white or aluminum powder coating. Custom finishes are also available.

**End cap** - Die cast aluminum (0.95" nominal)

**Joiners** - Male/female system made in die cast aluminum (0.95" nominal)

**Interior brackets** - Die formed cold rolled sheet steel 20 gauge thick

**Reflectors** - Flat rolled aluminum sheet 0.040" thick precisely die formed, 95% reflective matte white painted

### WEIGHT

**Reven 4ft** - 9.25bs - 4.2kg

**Reven 8ft** - 17.84lbs - 8.1kg

**Reven 12ft** - 26.43lbs - 12kg

### CERTIFICATION

**ETL** - Rated for indoor dry/damp locations. Conforms to UL Standard 1598 and certified to CAN/CSA Standard C22.2 No. 250.0.

### WARRANTY

Lumenwerx provides a five-year limited warranty of electrical and mechanical performance of the luminaires, including the LED boards, drivers, and auxiliary electronics. Lumenwerx will repair or replace defective luminaires or components at our discretion, provided they have been installed and operated in accordance with our specifications. Other limitations apply, please refer to the full warranty on our website.

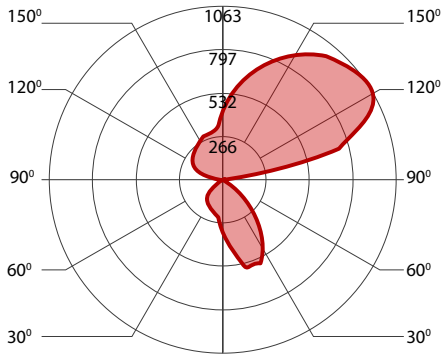
# REVEN SIB LED

WALL DIRECT/INDIRECT



PERFORMANCE AT 30/70 - 30% down - 70% up

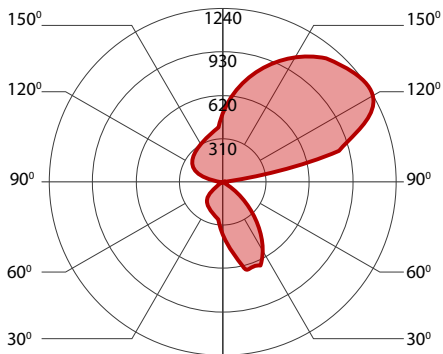
## 750 LUMEN AT 80CRI - LOW OUTPUT



### PERFORMANCE PER 4'

LED output	Color Temp	Watts	Nominal Delivered Lumens	Efficacy LPW
low output	2700K	23	3000	131
low output	3000K	22.5	3000	133
low output	3500K	22	3000	136
low output	4000K	21.5	3000	138

## 875 LUMEN AT 80CRI - MEDIUM OUTPUT



### PERFORMANCE PER 4'

LED output	Color Temp	Watts	Nominal Delivered Lumens	Efficacy LPW
medium output	2700K	27	3500	130
medium output	3000K	26.5	3500	132
medium output	3500K	26	3500	134
medium output	4000K	25.5	3500	138