

# RIM LINEAR

## Pendant - Remote Driver Box (RDB) - Multiple Canopies



### INSTALLATION INSTRUCTIONS

**!** This product must be installed in accordance with the National Electrical Code and all applicable local codes, by a person familiar with the construction and operation of the product, and the hazards involved. Proper grounding is required for safety.

Ce produit doit être installé suivant le code national de l'électricité, ainsi que tous les codes locaux applicables, par une personne familière avec la construction et le fonctionnement du produit, ainsi que tous les risques qui y sont associés. La mise à terre électrique est obligatoire pour la sécurité.

**!** Disconnect power before installation or servicing.

**!** Wire dimming conductors as Class 1.

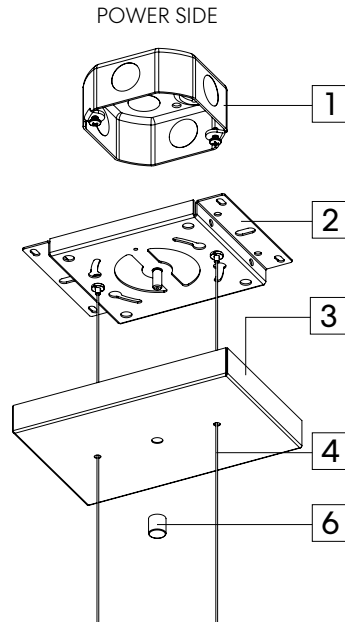
**!** A luminaire with more than one power supply connection means shall be connected to only one branch circuit.

**!** For electrical connections, please refer to the [wiring diagram guide](#).

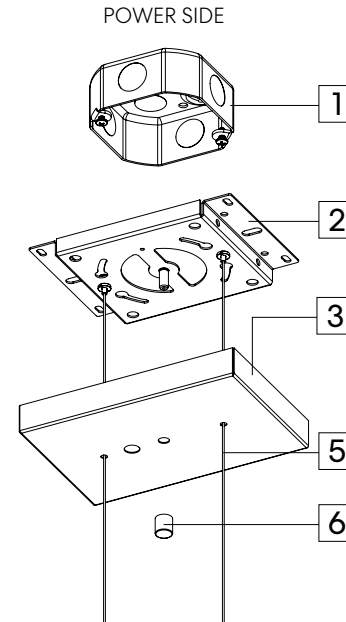
**!** For remote driver box installation instructions, please refer to the [remote driver installation sheet](#).



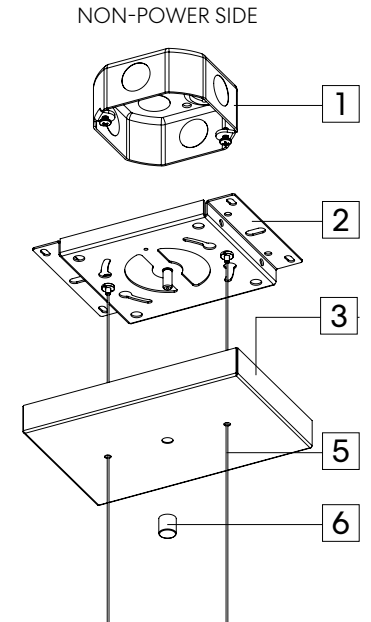
#### POC POWER-OVER-AIRCRAFT CABLE



#### AC AIRCRAFT CABLE



#### POC / AC



#### INDEX

Single fixture	
POC.....	<a href="#">P2</a>
Aircraft cable.....	<a href="#">P4</a>
Non-power side.....	<a href="#">P6</a>
Continuous run.....	<a href="#">P7</a>

#### ITEMS LIST

1	Standard J-box (by others)
2	Mounting plate
3	Canopy driver box
4	Power-over-aircraft cable
5	Aircraft cable
6	Decorative nut

#### TOOLS REQUIRED

- Phillips screwdriver
- Aircraft cable cutter
- 1/4" drill bit
- Scissors (for POC)
- Hammer (for continuous run)

# RIM LINEAR

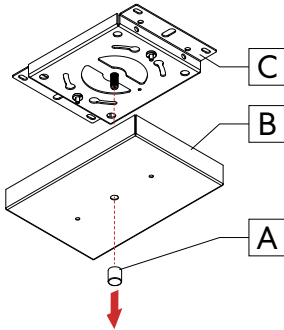
## Pendant - Remote Driver Box (RDB) - Multiple Canopies



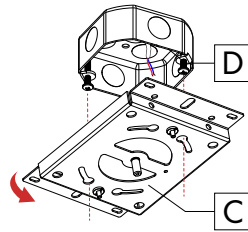
### POC (POWER-OVER-AIRCRAFT CABLE)

#### 1 PREPARE MOUNTING POINTS.

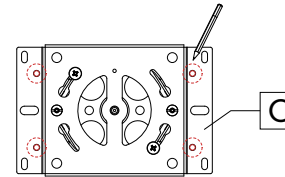
Loosen the decorative nut [A] on the canopy [B]. Separate the canopy [B] from the mounting plate [C].



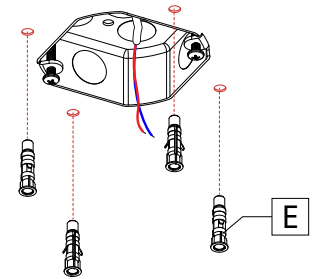
Fix the mounting plate [C] on the junction box [D].



Use the mounting plate [C] as a model to mark 4 holes.



Remove the mounting plate. Drill holes (Ø 1/4") following the red marks. Install #8 drywall anchors [E].

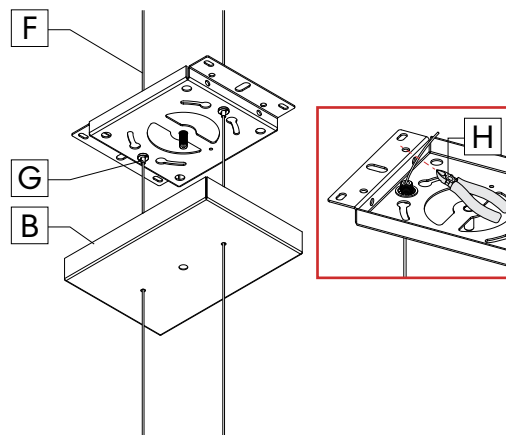


#### 2 INSTALL AIRCRAFT CABLES.

Pass the aircraft cables [F] through the canopy [B]. Insert them into the griplocks [G]. Adjust the cables by pushing the feeder tube [G].

Cut the excess cables with an aircraft cable cutter [H].

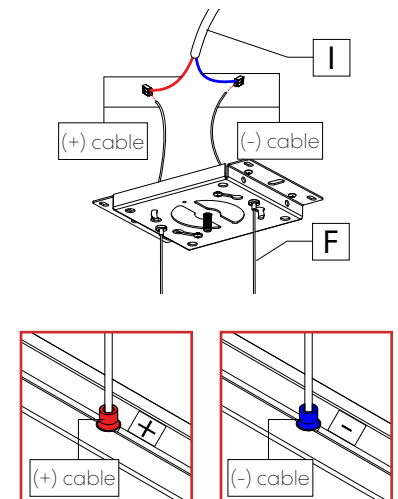
**Note:** Height adjustment of the fixture must be done at this step. Leave POC (power-over-aircraft cable) length of 1.5" to make the connection inside the junction-box.



#### 3 MAKE ELECTRICAL CONNECTIONS.

Make electrical connections between POC (power-over-aircraft cable) [F] and the remote driver feed [I].

**Note:** Make sure that you are connecting the negative (-) POC (as marked on the fixture with blue color and a label) to your negative wire and the positive (+) POC (as marked on the fixture with red color and a label) to your positive wire.



# RIM LINEAR

## Pendant - Remote Driver Box (RDB) - Multiple Canopies

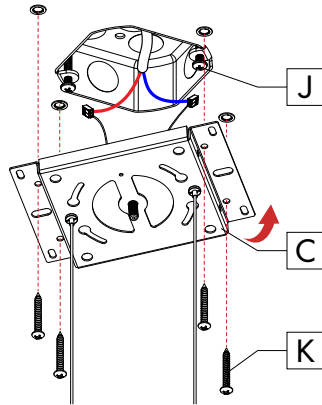


### POC (POWER-OVER-AIRCRAFT CABLE)

#### 4 FIX MOUNTING PLATE TO CEILING.

Tighten the two screws [J] to secure the mounting plate [C] to the junction box.

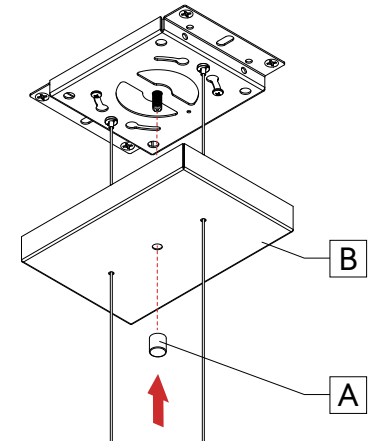
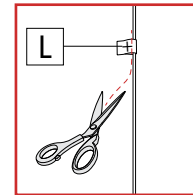
Use #8 screws [K] to fasten the mounting plate [C] to the ceiling.



#### 5 REINSTALL CANOPY.

Put the canopy [B] back in place and fix using the decorative nut [A].

Cut the labels [L] off the wires.



# RIM LINEAR

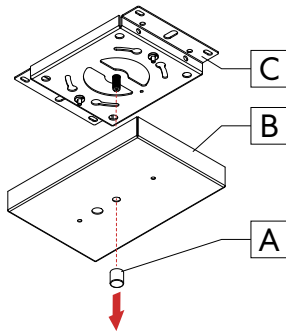
## Pendant - Remote Driver Box (RDB) - Multiple Canopies



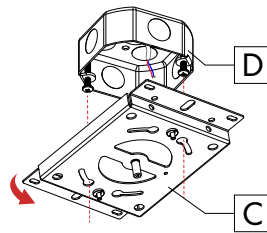
### AC (AIRCRAFT CABLE)

#### 1 PREPARE MOUNTING POINTS.

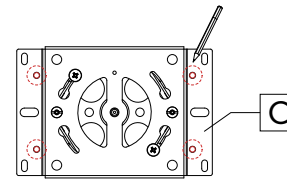
Loosen the decorative nut [A] on the canopy [B]. Separate the canopy [B] from the mounting plate [C].



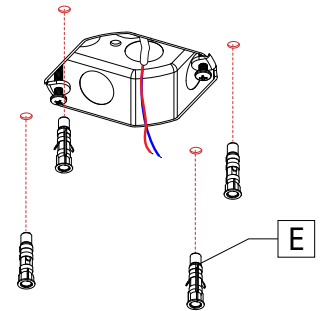
Fix the mounting plate [C] on the junction box [D].



Use the mounting plate [C] as a model to mark 4 holes.



Remove the mounting plate. Drill holes (Ø 1/4") following the red marks. Install #8 drywall anchors [E].

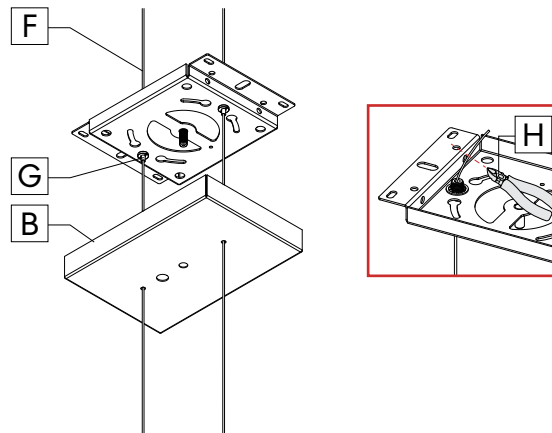


#### 2 INSTALL AIRCRAFT CABLES.

Pass the aircraft cables [F] through the canopy [B]. Insert them into the griplocks [G]. Adjust the cables by pushing the feeder tube [G].

Cut the excess cables with an aircraft cable cutter [H].

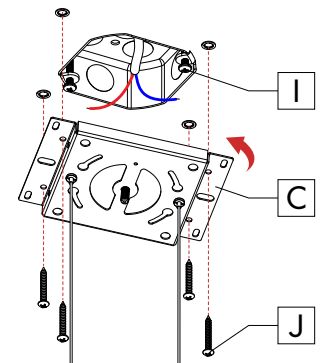
**Note:** Height adjustment of the fixture must be done at this step.



#### 3 FIX MOUNTING PLATE TO CEILING.

Tighten the two screws [I] to secure the mounting plate [C] to the junction box.

Use #8 screws [J] to fasten the mounting plate [C] to the ceiling.



# RIM LINEAR

## Pendant - Remote Driver Box (RDB) - Multiple Canopies



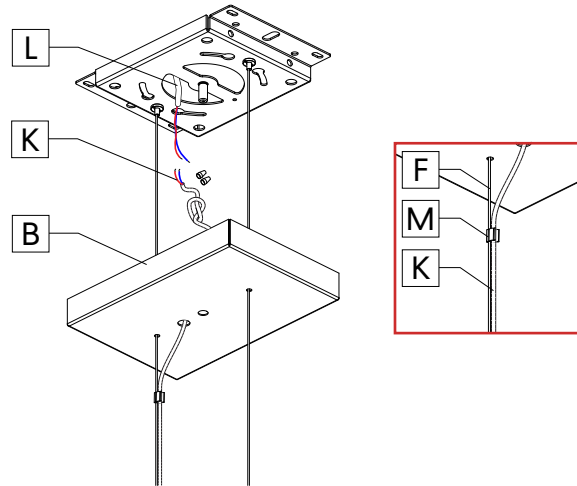
### AC (AIRCRAFT CABLE)

#### 4 MAKE ELECTRICAL CONNECTIONS.

Pass the power cord [K] into the canopy [B] and make a knot.

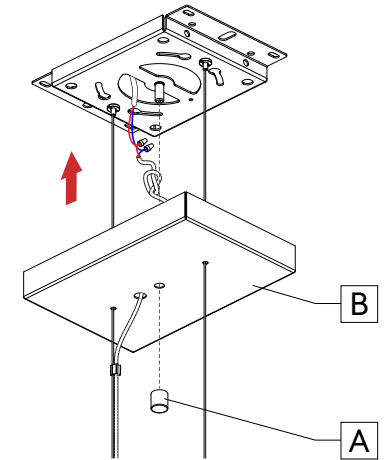
Make electrical connections between the power cord [K] and the remote driver feed [L].

Secure the power cord [K] to the aircraft cable [F] using plastic clip [M].



#### 5 REINSTALL CANOPY.

Put the canopy [B] back in place and fix in place and fix using the decorative nut [A].



# RIM LINEAR

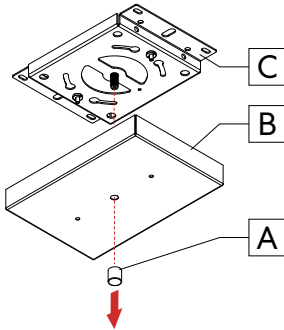
## Pendant - Remote Driver Box (RDB) - Multiple Canopies



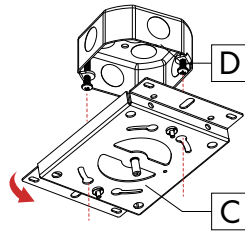
### NON-POWER SIDE (POC / AC)

#### 1 PREPARE MOUNTING POINTS.

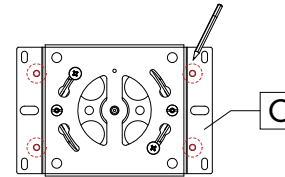
Loosen the decorative nut [A] on the canopy [B]. Separate the canopy [B] from the mounting plate [C].



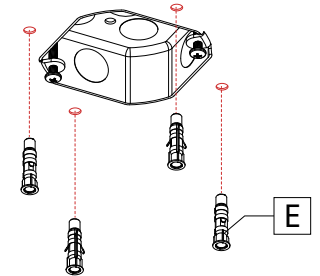
Fix the mounting plate [C] on the junction box [D].



Use the mounting plate [C] as a model to mark 4 holes.



Remove the mounting plate. Drill holes (Ø 1/4") following the red marks. Install #8 drywall anchors [E].

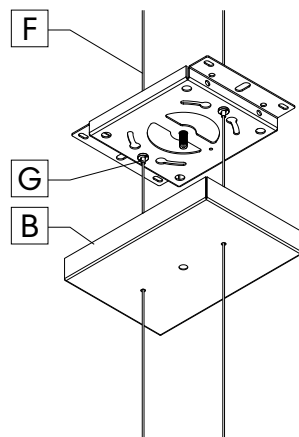
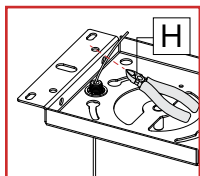


#### 2 INSTALL AIRCRAFT CABLES.

Pass the aircraft cables [F] through the canopy [B]. Insert them into the griplocks [G]. Adjust the cables by pushing the feeder tube [G].

Cut the excess cables with an aircraft cable cutter [H].

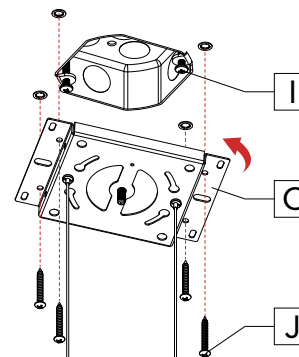
**Note:** Height adjustment of the fixture must be done at this step.



#### 3 FIX MOUNTING PLATE TO CEILING.

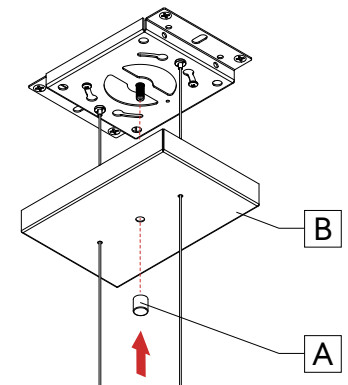
Tighten the two screws [I] to secure the mounting plate [C] to the junction box.

Use #8 screws [J] to fasten the mounting plate [C] to the ceiling.



#### 4 REINSTALL CANOPY.

Put the canopy [B] back in place and fix using the decorative nut [A].



# RIM LINEAR

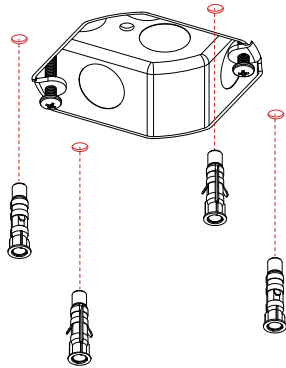
## Pendant - Remote Driver Box (RDB) - Multiple Canopies



### CONTINUOUS RUN (POC / AC)

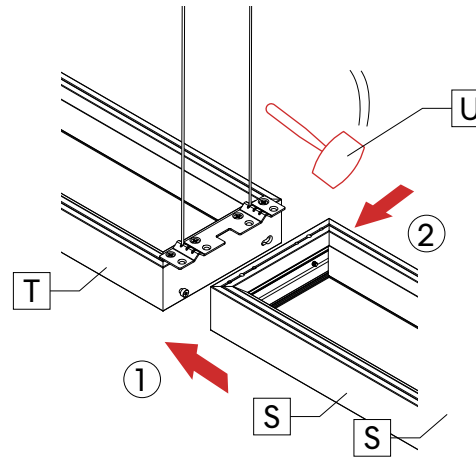
#### 1 FIX CANOPY TO CEILING.

For a continuous system, repeat the steps related to the mounting type to fix all the other canopies in the run to the ceiling.



#### 2 JOIN FIXTURES.

Slide the second fixture [S] into the first fixture [T]. Lock them together using a mallet [U].



#### 3 SECURE FIXTURES.

Secure all fixtures with screws [V].

